

teCom

Technology Components

Conveyor components • Special products • Self-aligning bearing supports • Supporting and levelling components



Ergo Components



Ergo Special



Ergo Bearing



Ergo Level

The company



It has got a 30 years experience in the development and production of chains and components for movement and transport.

The articles in the present catalogue are designed, produced and tested in accordance with the best quality standards. Materials and productive process high technology permits to Tecom products at the world top in this field.

The technology



A sophisticated cad/cam system, very modern manufacturing facilities and an efficient storekeeping for finished goods enable us to match very high technology products and maximum reliability.

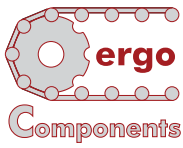
The flexibility, the high capacity of the productive resources and the warehouse dynamism enable us to guarantee an immediate availability of the products.



Tecom S.r.l.

Via A.M. Ampère, 43 - 42017 Novellara (RE) - Italy
Tel.: (+39) 0522-651203 Fax.: (+39) 0522-756251
Web: <http://www.tecomsrl.it> e-mail: info@tecomsrl.it

Conveyor components



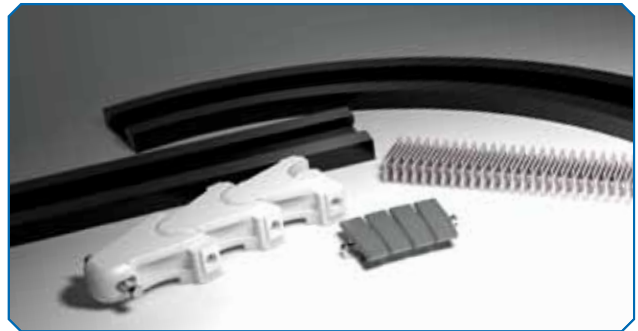
Conveyor components designed for bottling and food industry, support bases, heads, brackets, guide rail clamps produced in engineering resin and available with stainless steel or zinc plated bolts and nuts.



Special products



Special products on request: chains and accessories, roller chains, cardanic chains, sprockets for chains, corner and straight tracks, etc.



Self-aligning bearing supports



Self-aligning bearing supports made out of engineering resin, resistant to corrosion, ideal for food and pharmaceutical industry.



Supporting and levelling components







Supporting elements made out of engineering resin, zinc plated steel and stainless steel, threaded bushings for round and square tubes, suitable to any kind of application.



Conveyor components

Part.	Pag.	Part.	Pag.	Part.	Pag.	Part.	Pag.	Part.	Pag.
200	10	246	32	294	35	343	93	391	109
201	10	247	33	296	65	344	96	392	27
202	11	248	33	297	54	345	94	393	97
203	11	249	67	299	114	346	42	394	97
204	45	250	64	300	72	347	42	395	97
205	45	251	65	301	44	348	43	397	38
206	50	252	66	302	64	349	43	399	67
207	13	253	66	303	37	350	36	400	38
208	12	254	69	304	37	352	112	401	16
209	23	255	22	305	37	353	102	402	14
210	15	256	31	306	84	354	101	403	16
211	13	257	78	307	84	355	88	404	16
212	12	258	79	308	85	356	88	405	48
213	17	259	79	310	71	357	89	406	29
214	17	260	81	311	70	358	89	407	29
215	18	261	82	312	54	359	57	408	28
216	20	262	82	313	33	360	115	409	14
217	23	263	72	314	33	361	106	410	47
218	21	264	73	315	34	362	106	411	47
219	22	265	73	316	110	363	106	412	46
220	24	266	30	317	72	364	106	413	46
221	30	267	57	318	91	365	107	414	75
222	30	268	71	319	85	366	107	415	91
223	31	269	71	320	90	367	107	416	81
224	25	270	60	321	90	368	107	417	78
225	25	271	60	322	90	369	107	418	104
226	32	272	63	323	90	370	105	419	104
227	32	273	61	324	52	371	105	420	102
228	32	274	62	325	86	372	105	421	96
229	40	275	63	326	86	373	101	422	95
230	39	276	68	327	87	374	113	423	94
231	40	277	58	328	87	375	98	424	48
232	41	278	58	329	90	376	77	425	99
233	76	279	20	330	98	377	103	426	100
234	76	280	19	331	111	379	59	427	49
235	26	281	19	332	38	380	59	428	56
236	26	282	69	333	55	381	108	429	110
237	51	283	75	334	34	382	35	430	80
238	52	285	70	335	74	383	36	431	80
239	53	286	61	336	74	384	108	432	83
240	51	287	62	337	34	385	108	433	83
241	53	288	77	338	34	386	35	434	49
242	24	289	39	339	95	387	27	435	55
243	18	290	44	340	92	388	97		
244	21	291	41	341	92	389	109		
245	67	293	68	342	93	390	109		

Bases

			
Part. 200	Part. 201	Part. 202	Part. 203
pag. 10	pag. 10	pag. 11	pag. 11























Bearing heads

					
Part. 212	Part. 208	Part. 211	Part. 207	Part. 409	Part. 402
pag. 12	pag. 12	pag. 13	pag. 13	pag. 14	pag. 14



Connecting joints

				
Part. 210	Part. 210	Part. 403	Part. 404	Part. 401
pag. 15	pag. 15	pag. 16	pag. 16	pag. 16

Guide rail brackets

					
Part. 213	Part. 214	Part. 215	Part. 243	Part. 280	Part. 281
pag. 17	pag. 17	pag. 18	pag. 18	pag. 19	pag. 19
					
Part. 279	Part. 216	Part. 218	Part. 244	Part. 255	Part. 219
pag. 20	pag. 20	pag. 21	pag. 21	pag. 22	pag. 22
					
Part. 217	Part. 209	Part. 220	Part. 242	Part. 224	Part. 225
pag. 23	pag. 23	pag. 24	pag. 24	pag. 25	pag. 25
					
Part. 236	Part. 235	Part. 387	Part. 392	Part. 408	Part. 408
pag. 26	pag. 26	pag. 27	pag. 27	pag. 28	pag. 28

Tightening eyebolts

New 	New 
Part. 406 pag. 29	Part. 407 pag. 29

Heads for brackets

				
Part. 222 pag. 30	Part. 221 pag. 30	Part. 266 pag. 30	Part. 223 pag. 31	Part. 256 pag. 31

Knobs and handles

							
Part. 226 pag. 32	Part. 227 pag. 32	Part. 228 pag. 32	Part. 246 pag. 32	Part. 247 pag. 33	Part. 248 pag. 33	Part. 313 pag. 33	Part. 314 pag. 33
							
Part. 315 pag. 34	Part. 334 pag. 34	Part. 337 pag. 34	Part. 338 pag. 34	Part. 382 pag. 35	Part. 386 pag. 35	Part. 294 pag. 35	Part. 383 pag. 36
				New 	New 		
Part. 350 pag. 36	Part. 303 pag. 37	Part. 304 pag. 37	Part. 305 pag. 37	Part. 397 pag. 38	Part. 400 pag. 38	Part. 332 pag. 38	

Guide rail clamps

							
Part. 230 pag. 39	Part. 289 pag. 39	Part. 229 pag. 40	Part. 231 pag. 40	Part. 232 pag. 41	Part. 291 pag. 41	Part. 346 pag. 42	Part. 347 pag. 42
						New 	New 
Part. 348 pag. 43	Part. 349 pag. 43	Part. 290 pag. 44	Part. 301 pag. 44	Part. 204 pag. 45	Part. 205 pag. 45	Part. 412 pag. 46	Part. 413 pag. 46
New 	New 	New 	New 	New 	New 		
Part. 410 pag. 47	Part. 411 pag. 47	Part. 405 pag. 48	Part. 424 pag. 48	Part. 427 pag. 49	Part. 434 pag. 49		

Clamps

					
Part. 206 pag. 50	Part. 237 pag. 51	Part. 240 pag. 51	Part. 238 pag. 52	Part. 324 pag. 52	Part. 239 pag. 53
					
Part. 241 pag. 53	Part. 297 pag. 54	Part. 312 pag. 54	Part. 435 pag. 55	Part. 333 pag. 55	

Shoes

		
Part. 428 pag. 56	Part. 267 pag. 57	Part. 359 pag. 57






Chain tensioners

	
Part. 277 pag. 58	Part. 278 pag. 58

Return rollers

					
Part. 379 pag. 59	Part. 380 pag. 59	Part. 270 pag. 60	Part. 271 pag. 60	Part. 273 pag. 61	Part. 286 pag. 61
					
Part. 287 pag. 62	Part. 274 pag. 62	Part. 275 pag. 63	Part. 272 pag. 63	Part. 302 pag. 64	Part. 250 pag. 64
					
Part. 251 pag. 65	Part. 296 pag. 65	Part. 252 pag. 66	Part. 253 pag. 66	Part. 249 pag. 67	Part. 245 pag. 67
					
Part. 399 pag. 67	Part. 293 pag. 68	Part. 276 pag. 68	Part. 254 pag. 69	Part. 282 pag. 69	




Idler wheels

 Part. 311	 Part. 285	 Part. 310	 Part. 268	 Part. 269
pag. 70	pag. 70	pag. 71	pag. 71	pag. 71

Bearing supports

 Part. 300	 Part. 317	 Part. 263	 Part. 264	 Part. 265
pag. 72	pag. 72	pag. 72	pag. 73	pag. 73

Bushings

 Part. 336	 Part. 335	 Part. 283	 Part. 414
pag. 74	pag. 74	pag. 75	pag. 75

Hinges

 Part. 233	 Part. 234
pag. 76	pag. 76













































Split shaft collars

 Part. 288	 Part. 376
pag. 77	pag. 77
















Modular transfer plates

 Part. 257	 Part. 417	 Part. 258	 Part. 259	 Part. 430	 Part. 431
pag. 78	pag. 78	pag. 79	pag. 79	pag. 80	pag. 80
 Part. 260	 Part. 416	 Part. 261	 Part. 262	 Part. 432	 Part. 433
pag. 81	pag. 81	pag. 82	pag. 82	pag. 83	pag. 83

Product guides and accessories

 Part. 306 pag. 84	 Part. 307 pag. 84	 Part. 308 pag. 85	 Part. 319 pag. 85
 Part. 325 pag. 86	 Part. 326 pag. 86	 Part. 327 pag. 87	 Part. 328 pag. 87
 Part. 355 pag. 88	 Part. 356 pag. 88	 Part. 357 pag. 89	 Part. 358 pag. 89
 Part. 329 pag. 90	 Part. 320 - 321 - 322 - 323 pag. 90	 Part. 318 pag. 91	 Part. 415 pag. 91
 Part. 340 pag. 92	 Part. 341 pag. 92	 Part. 342 pag. 93	 Part. 343 pag. 93
 Part. 345 pag. 94	 Part. 423 pag. 94	 Part. 339 pag. 95	 Part. 422 pag. 95
 Part. 344 pag. 96	 Part. 421 pag. 96	 Part. 388 pag. 97	 Part. 393 pag. 97
 Part. 394 pag. 97	 Part. 395 pag. 97	 Part. 330 pag. 98	 Part. 375 pag. 98
 Part. 425 pag. 99	 Part. 426 pag. 100	 Part. 373 pag. 101	 Part. 354 pag. 101
 Part. 420 pag. 102	 Part. 353 pag. 102	 Part. 377 pag. 103	 Part. 419 pag. 104
 Part. 418 pag. 104	 Part. 370 pag. 105	 Part. 371 pag. 105	 Part. 372 pag. 105

Chain guides and accessories

 Part. 361	 Part. 362	 Part. 363	 Part. 364
pag. 106	pag. 106	pag. 106	pag. 106
 Part. 365	 Part. 366	 Part. 367	 Part. 368
pag. 107	pag. 107	pag. 107	pag. 107
 Part. 369	 Part. 381	 Part. 384	 Part. 385
pag. 107	pag. 108	pag. 108	pag. 108
 Part. 389	 Part. 390	 Part. 391	
pag. 109	pag. 109	pag. 109	

Accessories for the cross adjustment of the side guides

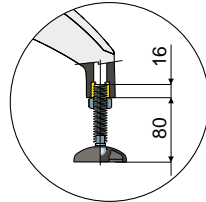
 Part. 429	 Part. 316	 Part. 331
pag. 110	pag. 110	pag. 111
 Part. 352	 Part. 374	 Part. 299
pag. 112	pag. 113	pag. 114

Process control

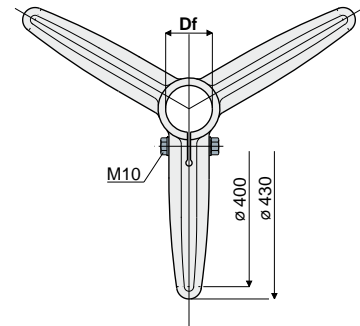
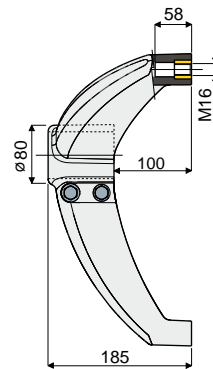
 Part. 360
pag. 115

Bases

Part. 200 Support base (tripod)



Max protrusion advised



Df Bore for tubes of	Zinc plated bolts and nuts	Stainless steel AISI 304 bolts and nuts	Tube unthreading load	Max static load allowed
(mm)	(Inches)	Code	(N)	(N)
60,3	2"	200 / 80588		
50,8	-	200 / 82070		
48,3	1" 1/2	200 / 80590		
42,4	1" 1/4	200 / 80592	9600	15800
40x40	square tube	200 / 85108		
45x45	square tube	200 / 80271		

MATERIALS: Base made of reinforced polyamide black colour; threaded bushing made of brass; fixing bolts and nuts made of stainless steel AISI 304 or zinc plated steel.

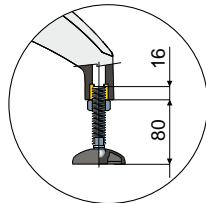
FEATURES: Max tightening torque 3,6 Kg·m.

BOX QUANTITY: 8 pieces.

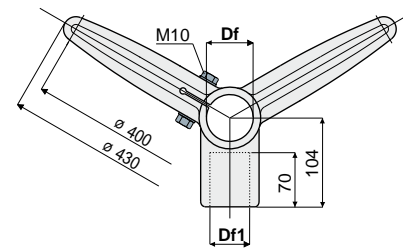
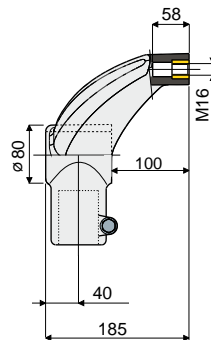
ON REQUEST:

- Bases: In reinforced polypropylene, other colours.
- Box Quantity: According to your request.
- Assembling of: Bolts and nuts.

Part. 201 Support base (bipod at 120°)



Max protrusion advised



Df Bore for tubes of	Df1 Bore for tubes of	Zinc plated bolts and nuts	Stainless steel AISI 304 bolts and nuts	Tube unthreading load	Max static load allowed
(mm)	(Inches)	(mm)	(Inches)	Code	Code
60,3	2"	48,3	1" 1/2	201 / 80612	201 / 80613
60,3	2"	42,4	1" 1/4	201 / 80614	201 / 80615
50,8	-	48,3	-	201 / 83200	201 / 83201
50,8	-	42,4	-	201 / 83202	201 / 83203
48,3	1" 1/2	48,3	1" 1/2	201 / 80616	201 / 80617
48,3	1" 1/2	42,4	1" 1/4	201 / 80618	201 / 80619
42,4	1" 1/4	42,4	1" 1/4	201 / 80620	201 / 80621

MATERIALS: Base made of reinforced polyamide black colour; threaded bushing made of brass; fixing bolts and nuts made of stainless steel AISI 304 or zinc plated steel.

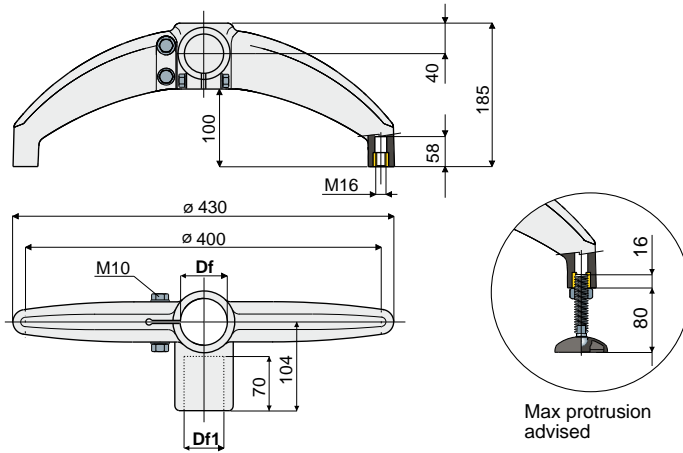
FEATURES: Max tightening torque 3,6 Kg·m.

BOX QUANTITY: 8 pieces.

ON REQUEST:

- Bases: In reinforced polypropylene, other colours.
- Box Quantity: According to your request.
- Assembling of: Bolts and nuts.

Bases



Support base
(bipod at 180°)

Part. **202**



Df		Df1		Zinc plated bolts and nuts	Stainless steel AISI 304 bolts and nuts	Tube unthreading load	Max static load allowed
Bore for tubes of (mm)	(Inches)	Bore for tubes of (mm)	(Inches)	Code	Code	(N)	(N)
60,3	2"	48,3	1" 1/2	202 / 80622	202 / 80623	9600	15800
60,3	2"	42,4	1" 1/4	202 / 80624	202 / 80625		
50,8	-	48,3	-	202 / 83204	202 / 83205		
50,8	-	42,4	-	202 / 83206	202 / 83207		
48,3	1" 1/2	48,3	1" 1/2	202 / 80626	202 / 80627		
48,3	1" 1/2	42,4	1" 1/4	202 / 80628	202 / 80629		
42,4	1" 1/4	42,4	1" 1/4	202 / 80630	202 / 80631		

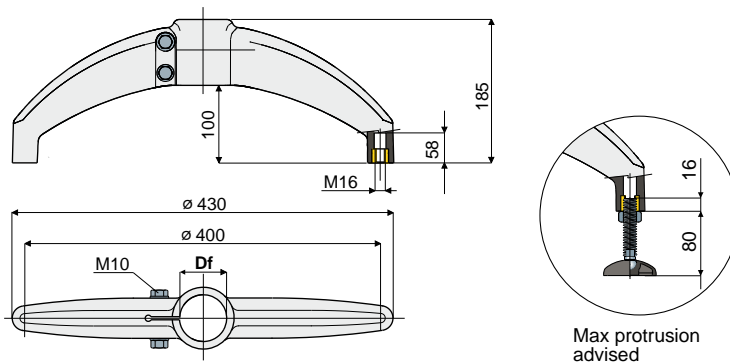
MATERIALS: Base made of reinforced polyamide black colour; threaded bushing made of brass; fixing bolts and nuts made of stainless steel AISI 304 or zinc plated steel.

FEATURES: Max tightening torque 3,6 Kg·m.

BOX QUANTITY: 8 pieces.

ON REQUEST:

- **Bases:** In reinforced polypropylene, other colours.
- **Box Quantity:** According to your request.
- **Assembling of:** Bolts and nuts.



Support base
(bipod at 180°)

Part. **203**



Df		Df1		Zinc plated bolts and nuts	Stainless steel AISI 304 bolts and nuts	Tube unthreading load	Max static load allowed
Bore for tubes of (mm)	(Inches)	Bore for tubes of (mm)	(Inches)	Code	Code	(N)	(N)
60,3	2"	48,3	1" 1/2	203 / 80632	203 / 80633	9600	15800
50,8	-	48,3	-	203 / 82998	203 / 82999		
48,3	1" 1/2	48,3	1" 1/2	203 / 80634	203 / 80635		
42,4	1" 1/4	42,4	1" 1/4	203 / 80636	203 / 80637		

MATERIALS: Base made of reinforced polyamide black colour; threaded bushing made of brass; fixing bolts and nuts made of stainless steel AISI 304 or zinc plated steel.

FEATURES: Max tightening torque 3,6 Kg·m.

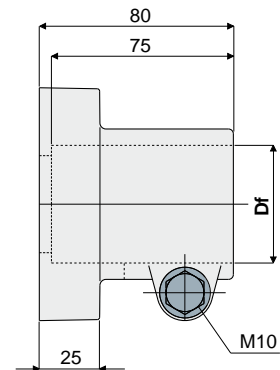
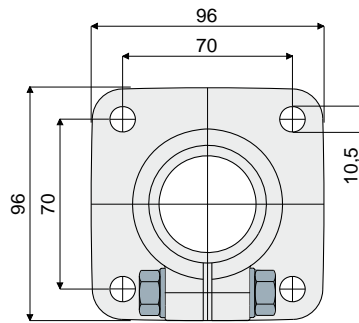
BOX QUANTITY: 8 pieces.

ON REQUEST:

- **Bases:** In reinforced polypropylene, other colours.
- **Box Quantity:** According to your request.
- **Assembling of:** Bolts and nuts.

Bearing heads

Part. 212 Bearing head



Df Bore for tubes of		Zinc plated bolts and nuts	Stainless steel AISI 304 bolts and nuts
(mm)	(Inches)	Code	Code
48,3	1" 1/2	212 / 80650	212 / 80651
50,8	-	212 / 83208	212 / 83110

MATERIALS: Bearing head made of reinforced polyamide black colour; bolts and nuts made of stainless steel AISI 304 or zinc plated steel.

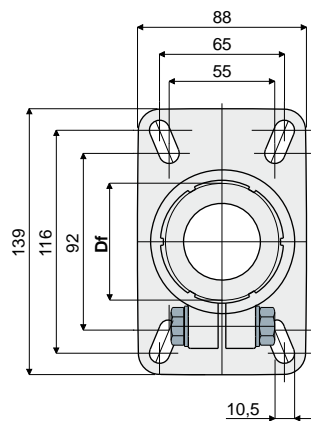
FEATURES: Max tightening torque 3,6 Kg-m.

BOX QUANTITY: 8 pieces.

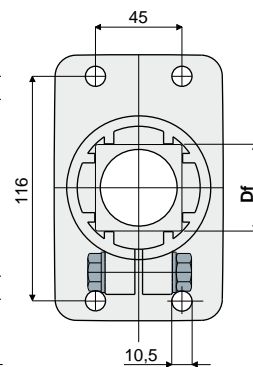
ON REQUEST:

- **Bearing heads:** In reinforced polypropylene, other colours.
- **Box Quantity:** According to your request.
- **Assembling of:** Bolts and nuts.

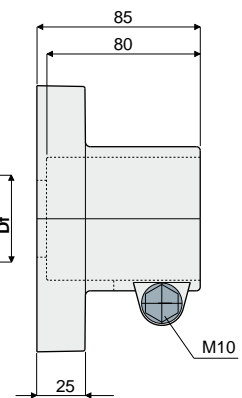
Part. 208 Bearing head



For round tubes



For square tubes



Df Bore for tubes of		Zinc plated bolts and nuts	Stainless steel AISI 304 bolts and nuts
(mm)	(Inches)	Code	Code
60,3	2"	208 / 80764	208 / 80765
50,8	-	208 / 82072	208 / 82073
48,3	1" 1/2	208 / 80766	208 / 80767
42,4	1" 1/4	208 / 80768	208 / 80769
40x40	square tube	208 / 85110	208 / 85111
45x45	square tube	208 / 80770	208 / 80771

MATERIALS: Bearing head made of reinforced polyamide black colour; bolts and nuts made of stainless steel AISI 304 or zinc plated steel.

FEATURES: Max tightening torque 3,6 Kg-m.

BOX QUANTITY: 8 pieces.

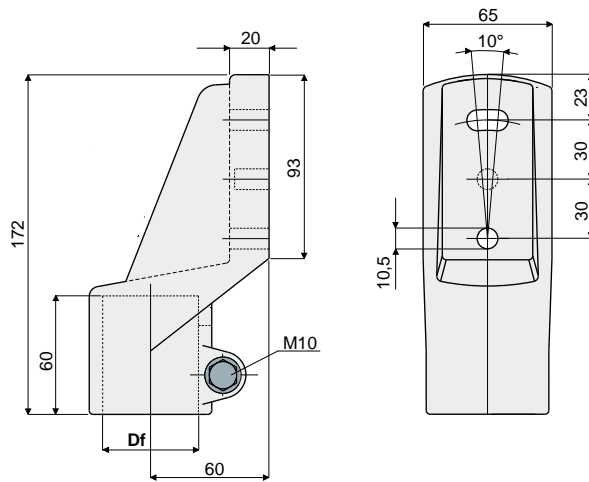
ON REQUEST:

- **Bearing heads:** In reinforced polypropylene, other colours.
- **Box Quantity:** According to your request.
- **Assembling of:** Bolts and nuts.

Bearing heads

Side mounting top bracket

Part. **211**



Df Bore for tubes of		Zinc plated bolts and nuts	Stainless steel AISI 304 bolts and nuts
(mm)	(Inches)	Code	Code
48,3	1" 1/2	211 / 80648	211 / 80649

MATERIALS: Top bracket made out of reinforced polyamide black colour; bolts and nuts made out of stainless steel AISI 304 or zinc plated steel.

FEATURES: Max tightening torque 3,6 Kg·m.

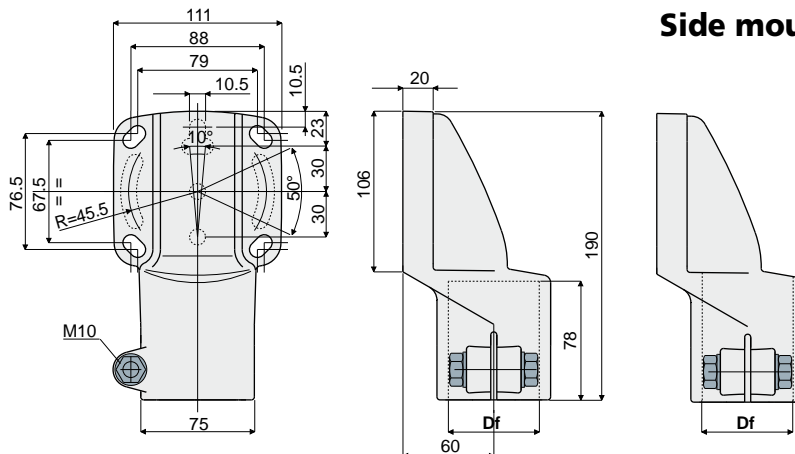
BOX QUANTITY: 8 pieces.

ON REQUEST:

- Top brackets: In reinforced polypropylene, other colours.
- Box Quantity: According to your request.
- Assembling of: Bolts and nuts.

Side mounting top bracket

Part. **207**



Df Bore for tubes of		Zinc plated bolts and nuts	Stainless steel AISI 304 bolts and nuts
(mm)	(Inches)	Code	Code
60,3	2"	207 / 80790	207 / 80791
50,8	-	207 / 83210	207 / 83211
48,3	1" 1/2	207 / 80792	207 / 80793
42,4	1" 1/4	207 / 80794	207 / 80795
40x40	square tube	207 / 85112	207 / 85113
45x45	square tube	207 / 80796	207 / 80797
48,3	through hole	207 / 82632	207 / 82633

MATERIALS: Top bracket made of reinforced polyamide black colour; bolts and nuts made of stainless steel AISI 304 or zinc plated steel.

FEATURES: Max tightening torque 3,6 Kg·m.

BOX QUANTITY: 8 pieces.

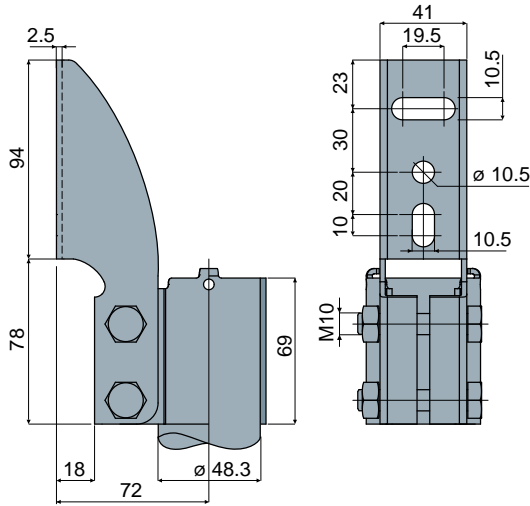
ON REQUEST:

- Top brackets: In reinforced polypropylene, other colours.
- Box Quantity: According to your request.
- Assembling of: Bolts and nuts.

Bearing heads

Part. 409 Side mounting top bracket

NEW



Code
409 / 84440

MATERIALS: Top bracket bolts and nuts made of stainless steel AISI 304.

FEATURES: Supplied complete with bolts and nuts.

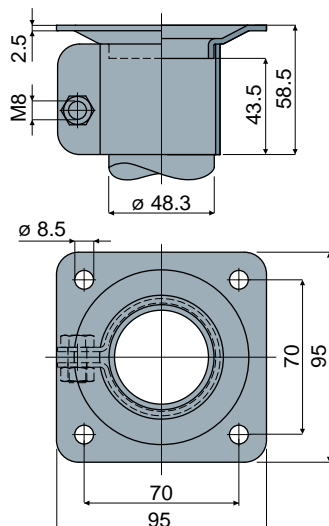
BOX QUANTITY: 8 pieces.

ON REQUEST:

- Box Quantity: According to your request.
- Assembly of: Bolts and nuts.

Part. 402 Bearing head

NEW



Code
402 / 84324

MATERIALS: Bearing head bolts and nuts made of stainless steel AISI 304.

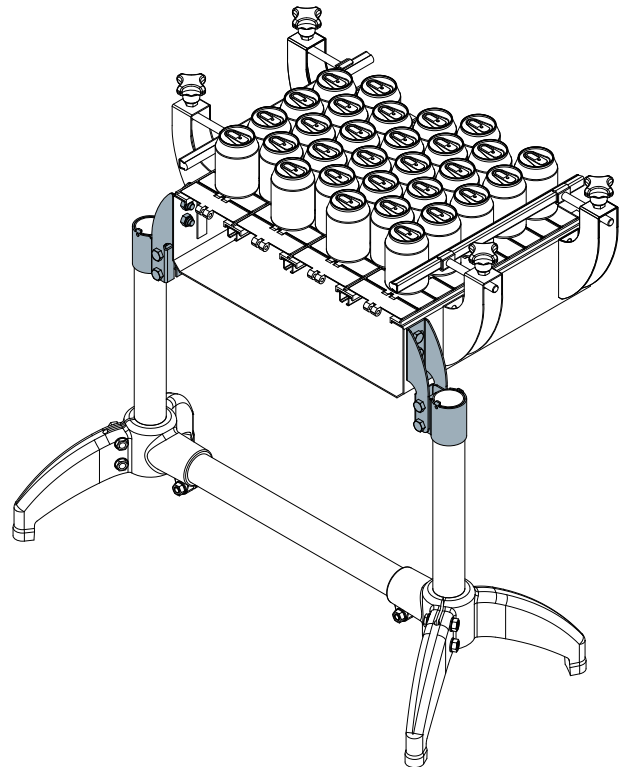
FEATURES: Supplied complete with bolts and nuts.

BOX QUANTITY: 8 pieces.

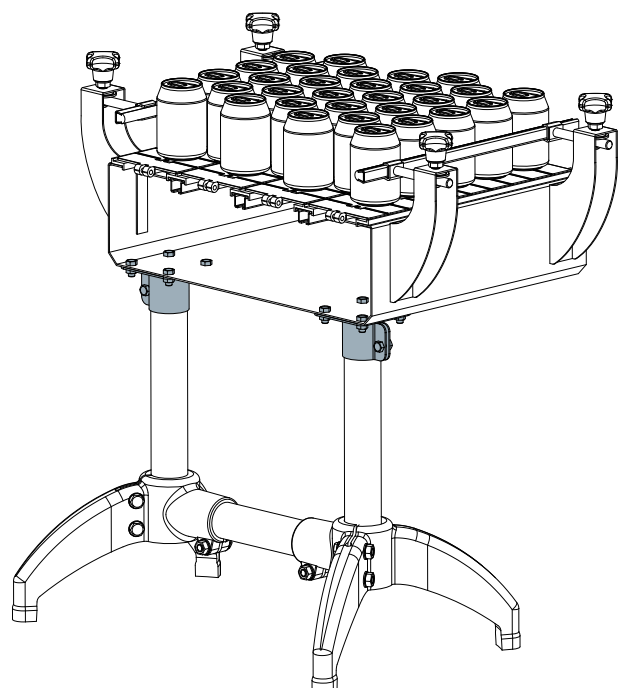
ON REQUEST:

- Box Quantity: According to your request.
- Assembly of: Bolts and nuts.

Example of application



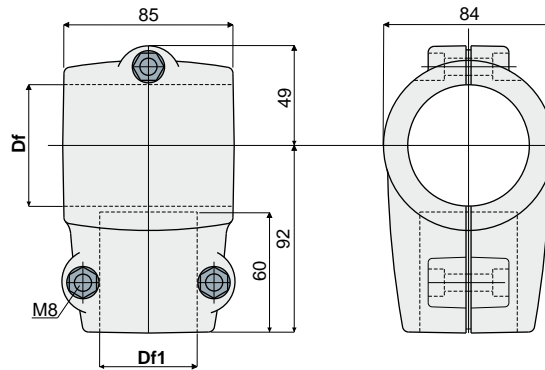
Example of application



Connecting joints

Connection joint for round tubes

Part. **210**



Df		Df1		Zinc plated bolts and nuts	Stainless steel AISI 304 bolts and nuts
Bore for tubes of (mm)	Bore for tubes of (Inches)	Bore for tubes of (mm)	Bore for tubes of (Inches)	Code	Code
60,3	2"	48,3	1" 1/2	210 / 80638	210 / 80639
60,3	2"	42,4	1" 1/4	210 / 80640	210 / 80641
48,3	1" 1/2	48,3	1" 1/2	210 / 80642	210 / 80643
48,3	1" 1/2	42,4	1" 1/4	210 / 80644	210 / 80645
42,4	1" 1/4	42,4	1" 1/4	210 / 80646	210 / 80647

MATERIALS: Joint made of reinforced polyamide black colour; bolts and nuts made of stainless steel AISI 304 or zinc plated steel.

FEATURES: Max tightening torque 2 Kg·m.

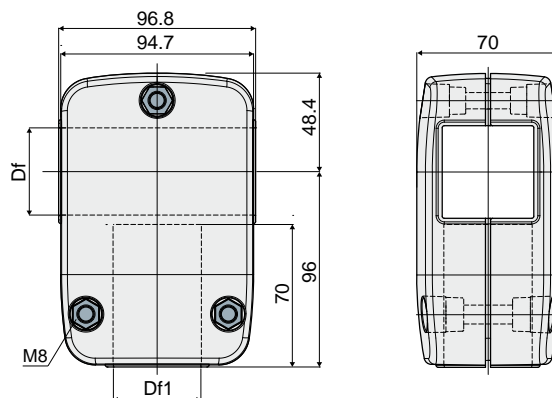
BOX QUANTITY: 8 pieces.

ON REQUEST:

- Joints: In reinforced polypropylene, other colours.
- Box Quantity: According to your request.
- Assembling of: Bolts and nuts.

Connection joint for square tubes

Part. **210**



Df	Df1	Zinc plated bolts and nuts	Stainless steel AISI 304 bolts and nuts
Bore for tubes of (mm)	Bore for tubes of (mm)	Code	Code
40x40	40x40	210 / 85114	210 / 85115
45x45	45x45	210 / 84132	210 / 84133

MATERIALS: Joint made of reinforced polyamide black colour; bolts and nuts made of stainless steel AISI 304 or zinc plated steel.

FEATURES: Max tightening torque 2 Kg·m.

BOX QUANTITY: 8 pieces.

ON REQUEST:

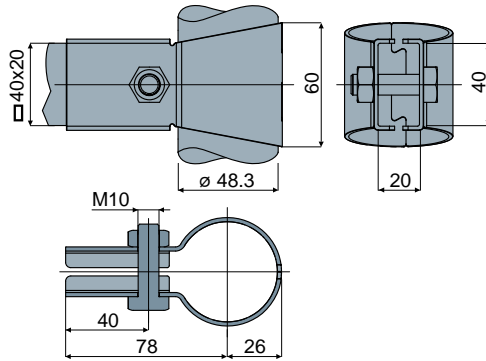
- Joints: In reinforced polypropylene, other colours.
- Box Quantity: According to your request.
- Assembling of: Bolts and nuts.

Connecting joints

Part. 403 Connection joint



Code
403 / 84325



MATERIALS: Joint, screw and nut made of stainless steel AISI 304.

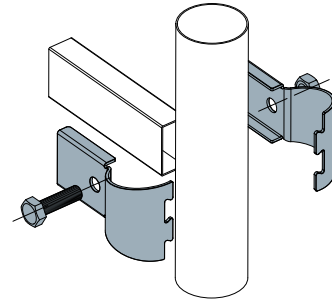
FEATURES: Supplied complete with bolts and nuts.

BOX QUANTITY: 8 pieces.

ON REQUEST:

- Box Quantity: According to your request.
- Assembly of: Bolts and nuts.

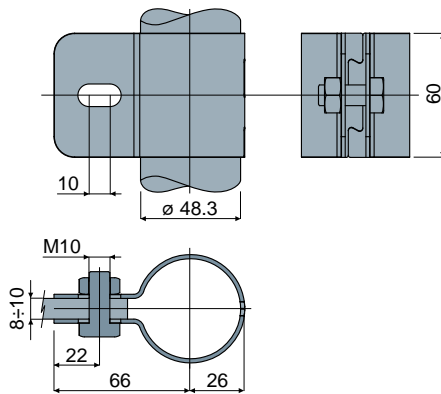
Example of application



Part. 404 Connection joint



Code
404 / 84326



MATERIALS: Joint, screw and nut made of stainless steel AISI 304.

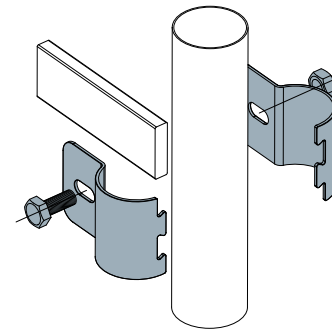
FEATURES: Supplied complete with bolts and nuts.

BOX QUANTITY: 8 pieces.

ON REQUEST:

- Box Quantity: According to your request.
- Assembly of: Bolts and nuts.

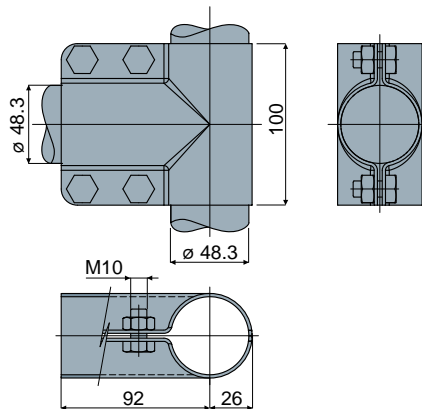
Example of application



Part. 401 Connection joint



Code
401 / 84323



MATERIALS: Joint, screws and nuts made of stainless steel AISI 304.

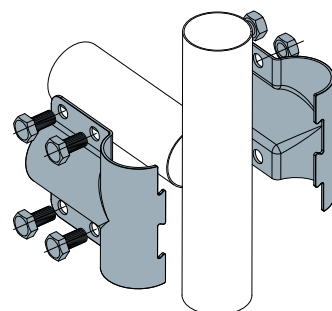
FEATURES: Supplied complete with bolts and nuts.

BOX QUANTITY: 8 pieces.

ON REQUEST:

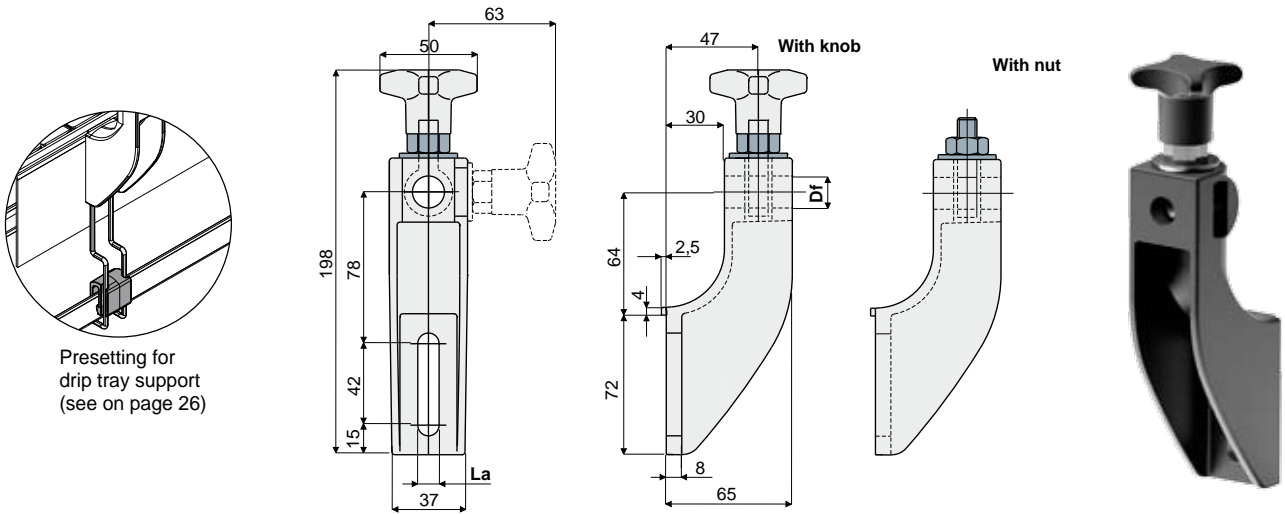
- Box Quantity: According to your request.
- Assembly of: Bolts and nuts.

Example of application



Guide rail brackets

Guide rail bracket Part. 213



Presetting for drip tray support (see on page 26)

Df Bore for pin of (mm)	La (9 mm slot)	
	With knob Code	With nut Code
12	213 / 81176	213 / 82105
14	213 / 82102	213 / 82107
16	213 / 82104	213 / 82109

Df Bore for pin of (mm)	La (11 mm slot)	
	With knob Code	With nut Code
12	213 / 80652	213 / 80653
14	213 / 80654	213 / 80655
16	213 / 80656	213 / 80657

MATERIALS: Bracket and knob made of reinforced polyamide black colour; hexagonal insert made of nickel plated brass; eyebolt, nut and washer made of stainless steel AISI 304.

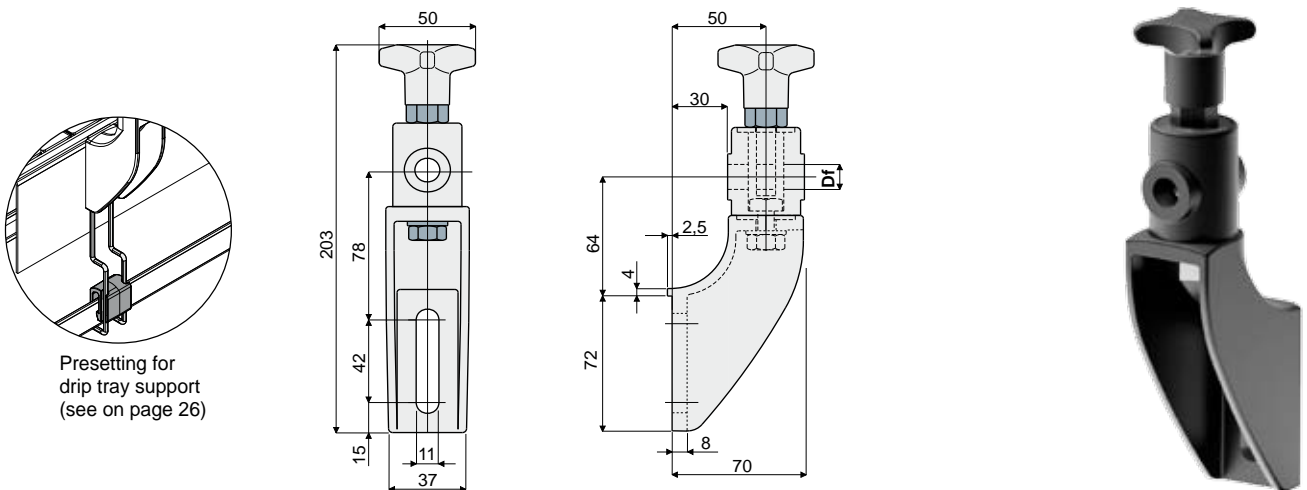
FEATURES: Max tightening torque 4 Kg·m.

BOX QUANTITY: 24 pieces.

ON REQUEST:

- Brackets: In reinforced polypropylene, other colours.
- Box Quantity: According to your request.

Guide rail bracket Part. 214 (with adjustable head)



Presetting for drip tray support (see on page 26)

Df Bore for pin of (mm)	Code
12	214 / 80755
14	214 / 80756
16	214 / 80757

MATERIALS: Bracket and knob made of reinforced polyamide black colour; hexagonal insert made of nickel plated brass; eyebolt, nut and washer made of stainless steel AISI 304.

FEATURES: Max tightening torque 4 Kg·m.

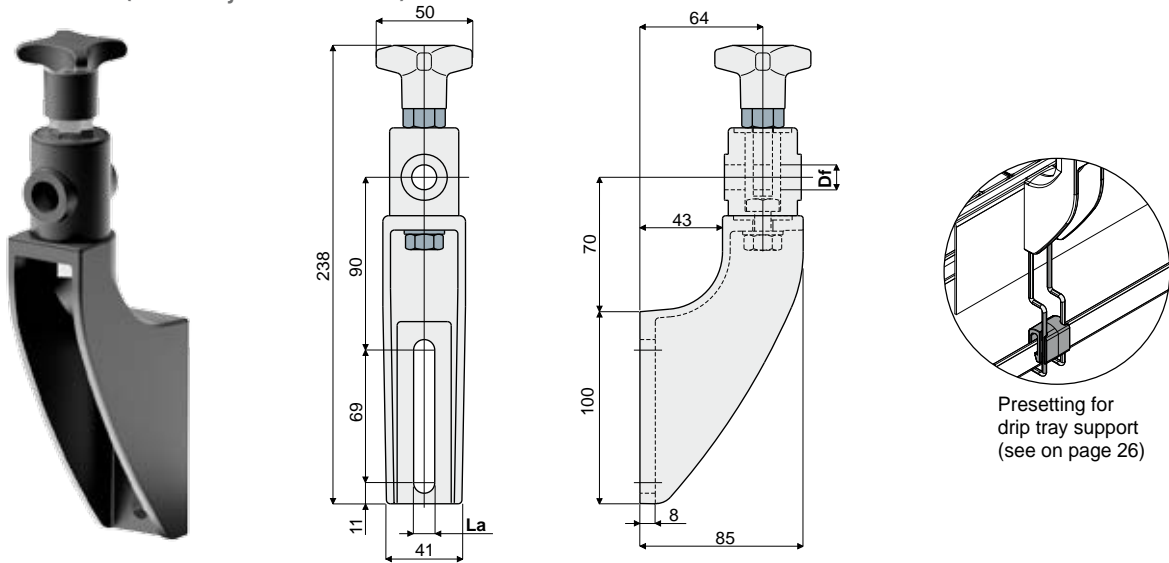
BOX QUANTITY: 24 pieces.

ON REQUEST:

- Brackets: In reinforced polypropylene, other colours.
- Box Quantity: According to your request.

Guide rail brackets

Part. 215 Guide rail bracket (with adjustable head)



Df Bore for pin of (mm)	La (9 mm slot) Code	La (11 mm slot) Code
12	215 / 82106	215 / 80658
14	215 / 82108	215 / 80659
16	215 / 82110	215 / 80660

MATERIALS: Bracket and knob made of reinforced polyamide black colour; hexagonal insert made of nickel plated brass; eyebolt, nut and washer made of stainless steel AISI 304.

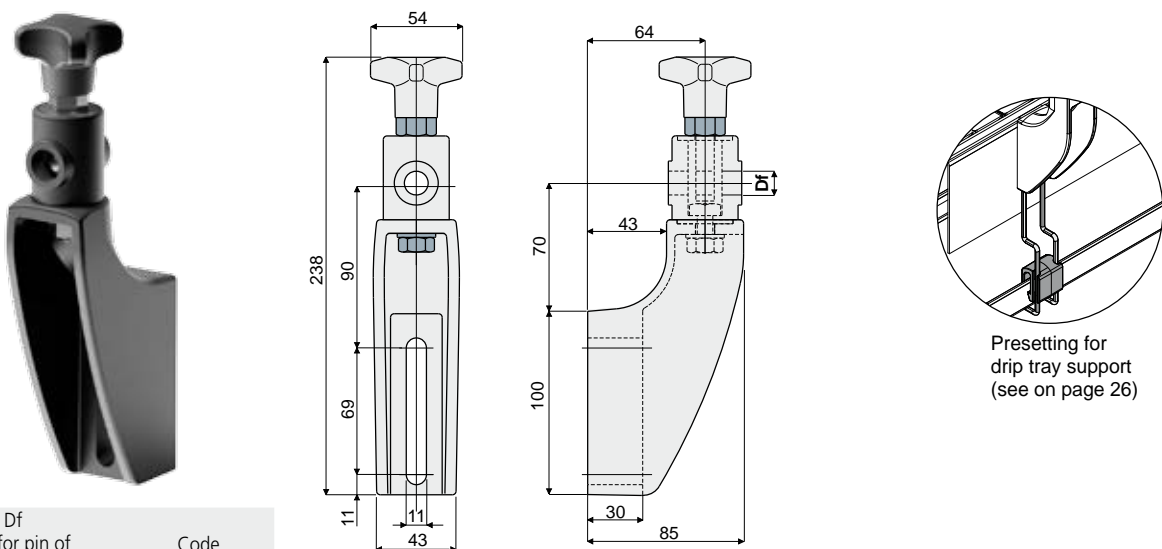
FEATURES: Max tightening torque 4 Kg-m.

BOX QUANTITY: 24 pieces.

ON REQUEST:

- Brackets: In reinforced polypropylene, other colours.
- Box Quantity: According to your request.

Part. 243 Guide rail bracket (reinforced type with adjustable head)



Df Bore for pin of (mm)	Code
12	243 / 81003
14	243 / 81004
16	243 / 81005

MATERIALS: Bracket and knob made of reinforced polyamide black colour; hexagonal insert made of nickel plated brass; eyebolt, screw, nut and washer made of stainless steel AISI 304.

FEATURES: To be used for heavy applications, suitable in conveyors with more ways, both in accumulation and curve. Max tightening torque 4 Kg-m.

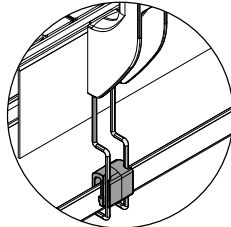
BOX QUANTITY: 24 pieces.

ON REQUEST:

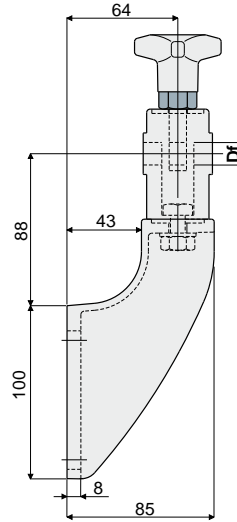
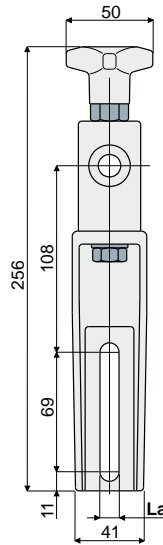
- Brackets: In reinforced polypropylene, other colours.
- Box Quantity: According to your request.

Guide rail brackets

Guide rail bracket Part. 280 (with adjustable high type head)



Presetting for drip tray support (see on page 26)



Df Bore for pin of (mm)	La (9 mm slot) Code	La (11 mm slot) Code
12	280 / 82150	280 / 82127
14	280 / 82151	280 / 82128
16	280 / 82152	280 / 82129

MATERIALS: Bracket and knob made of reinforced polyamide black colour; hexagonal insert made of nickel plated brass; eyebolt, nut and washer made of stainless steel AISI 304.

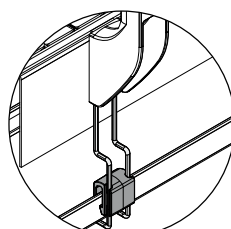
FEATURES: Max tightening torque 4 Kg-m.

BOX QUANTITY: 24 pieces.

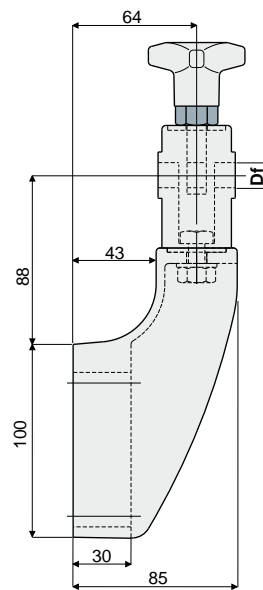
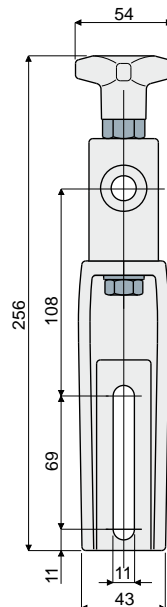
ON REQUEST:

- Brackets: In reinforced polypropylene, other colours.
- Box Quantity: According to your request.

Guide rail bracket Part. 281 (reinforced type with adjustable high type head)



Presetting for drip tray support (see on page 26)



Df Bore for pin of (mm)	Code
12	281 / 82130
14	281 / 82131
16	281 / 82132

MATERIALS: Bracket and knob made of reinforced polyamide black colour; hexagonal insert made of nickel plated brass; eyebolt, screw, nut and washer made of stainless steel AISI 304.

FEATURES: To be used for heavy applications, suitable in conveyors with more ways, both in accumulation and curve. Max tightening torque 4 Kg-m.

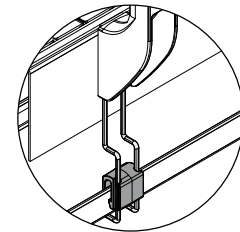
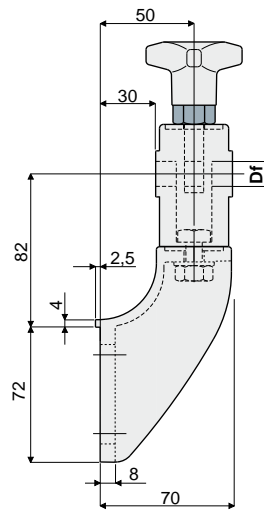
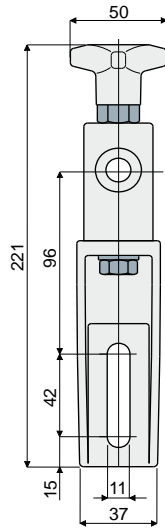
BOX QUANTITY: 24 pieces.

ON REQUEST:

- Brackets: In reinforced polypropylene, other colours.
- Box Quantity: According to your request.

Guide rail brackets

Part. 279 Guide rail bracket (with adjustable head)



Presetting for drip tray support (see on page 26)

Df Bore for pin of (mm)	Code
12	279 / 82124
14	279 / 82125
16	279 / 82126

MATERIALS: Bracket and knob made of reinforced polyamide black colour; hexagonal insert made of nickel plated brass; eyebolt, nut and washer made of stainless steel AISI 304.

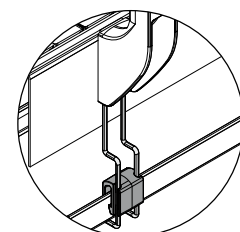
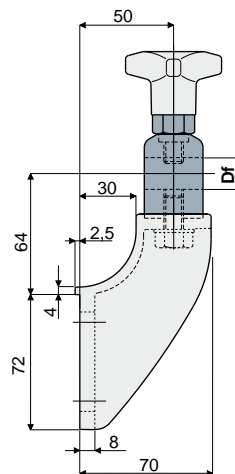
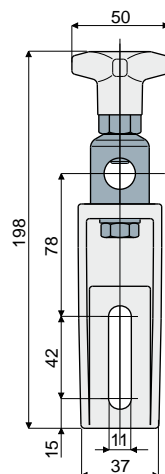
FEATURES: Max tightening torque 4 Kg·m.

BOX QUANTITY: 24 pieces.

ON REQUEST:

- Brackets: In reinforced polypropylene, other colours.
- Box Quantity: According to your request.

Part. 216 Guide rail bracket (with metal adjustable head)



Presetting for drip tray support (see on page 26)

Df Bore for pin of (mm)	Head made out of nickel plated brass Code	Head made out of stainless steel AISI 304 Code
14 - 16	216 / 80758	216 / 80759

MATERIALS: Bracket and knob made out of reinforced polyamide black colour; head made out of stainless steel AISI 304 or nickel plated brass; hexagonal insert made out of nickel plated brass; screw and washer made out of stainless steel AISI 304.

FEATURES: Possibility to use pins with diameter 14 and 16 mm. Max tightening torque 4 Kg·m.

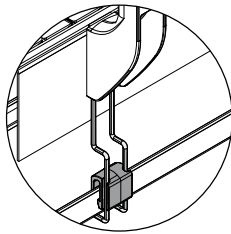
BOX QUANTITY: 24 pieces.

ON REQUEST:

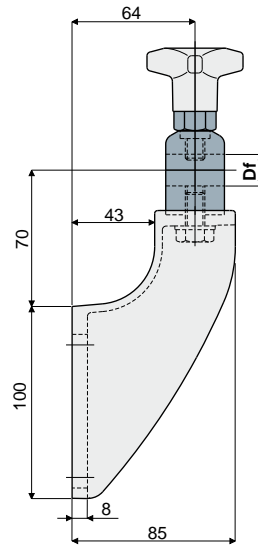
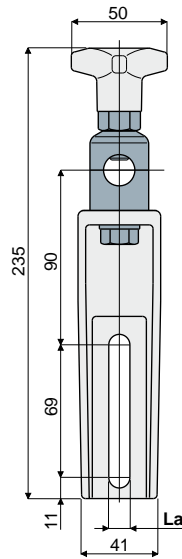
- Brackets: In reinforced polypropylene, other colours.
- Box Quantity: According to your request.

Guide rail brackets

Guide rail bracket Part. 218 (with metal adjustable head)



Presetting for drip tray support (see on page 26)



Df Bore for pin of (mm)	La (9 mm slot)	
	Head made out of nickel plated brass Code	Head made out of stainless steel AISI 304 Code
14 - 16	218 / 82112	218 / 82113

Df Bore for pin of (mm)	La (11 mm slot)	
	Head made out of nickel plated brass Code	Head made out of stainless steel AISI 304 Code
14 - 16	218 / 80662	218 / 80663

MATERIALS: Bracket and knob made out of reinforced polyamide black colour; head made out of stainless steel AISI 304 or nickel plated brass; hexagonal insert made out of nickel plated brass; screw and washer made out of stainless steel AISI 304.

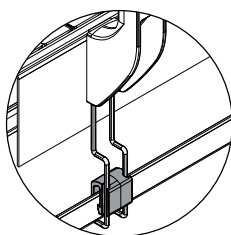
FEATURES: Possibility to use pins with diameter 14 and 16 mm. Max tightening torque 4 Kg-m.

BOX QUANTITY: 24 pieces.

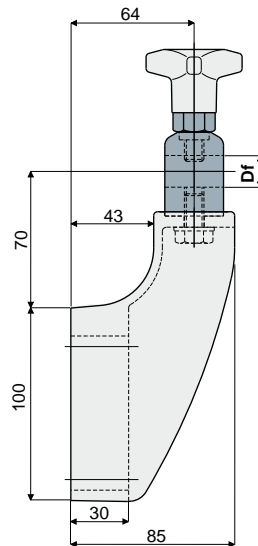
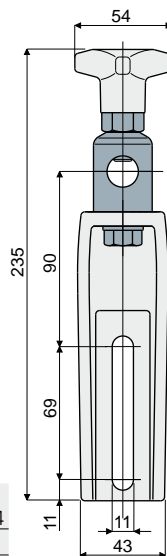
ON REQUEST:

- **Brackets:** In reinforced polypropylene, other colours.
- **Box Quantity:** According to your request.

Guide rail bracket Part. 244 (reinforced type with metal adjustable head)



Presetting for drip tray support (see on page 26)



Df Bore for pin of (mm)	Head made out of nickel plated brass		Head made out of stainless steel AISI 304	
	Code		Code	
14 - 16	244 / 81006		244 / 81007	

MATERIALS: Bracket and knob made out of reinforced polyamide black colour; head made out of stainless steel AISI 304 or nickel plated brass; hexagonal insert made out of nickel plated brass; screw and washer made out of stainless steel AISI 304.

FEATURES: To be used for heavy applications, suitable in conveyors with more ways, both in accumulation and curve. Possibility to use pins with diameter 14 and 16 mm. Max tightening torque 4 Kg-m.

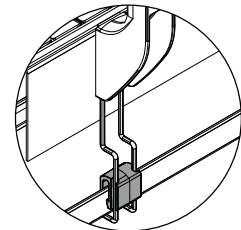
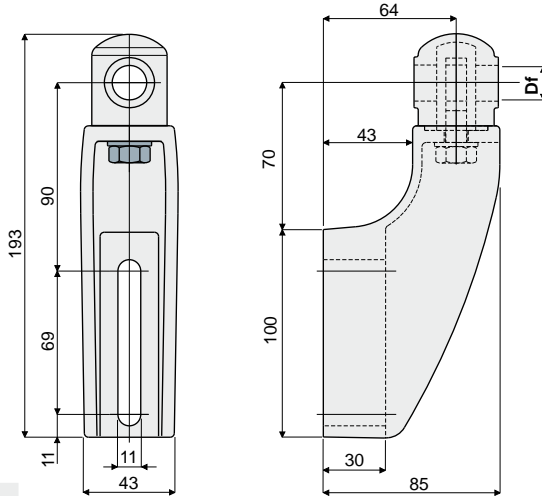
BOX QUANTITY: 24 pieces.

ON REQUEST:

- **Brackets:** In reinforced polypropylene, other colours.
- **Box Quantity:** According to your request.

Guide rail brackets

Part. 255 Guide rail bracket (reinforced type with adjustable head)



Presetting for drip tray support (see on page 26)

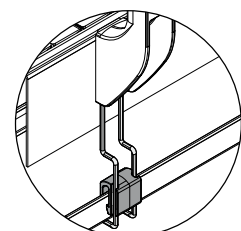
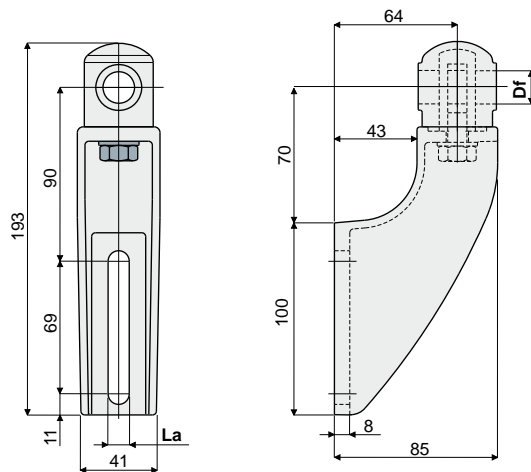
Df Bore for pin of (mm)	Code
12	255 / 81008
14	255 / 81009
16	255 / 81010

MATERIALS: Bracket and head made of reinforced polyamide black colour; eyebolt, nut and washer made of stainless steel AISI 304.
FEATURES: To be used for heavy applications, suitable in conveyors with more ways, both in accumulation and curve. Max tightening torque 4 Kg·m.
BOX QUANTITY: 24 pieces.

ON REQUEST:

- Brackets: In reinforced polypropylene, other colours.
- Box Quantity: According to your request.

Part. 219 Guide rail bracket (with adjustable head)



Presetting for drip tray support (see on page 26)

Df Bore for pin of (mm)	La (9 mm slot) Code	La (11 mm slot) Code
12	219 / 82114	219 / 80664
14	219 / 82115	219 / 80665
16	219 / 82116	219 / 80666

MATERIALS: Bracket and head made of reinforced polyamide black colour; eyebolt, nut and washer made of stainless steel AISI 304.
FEATURES: Max tightening torque 4 Kg·m.
BOX QUANTITY: 24 pieces.

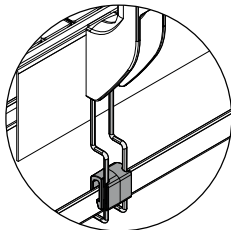
ON REQUEST:

- Brackets: In reinforced polypropylene, other colours.
- Box Quantity: According to your request.

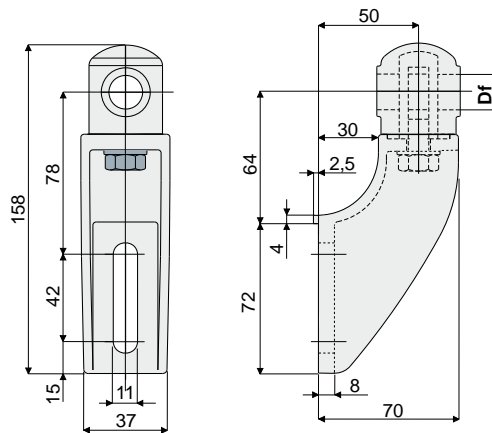
Guide rail brackets

Guide rail bracket (with adjustable head)

Part. **217**



Presetting for
drip tray support
(see on page 26)



Df Bore for pin of (mm)	Code
12	217 / 80760
14	217 / 80761
16	217 / 80762

MATERIALS: Bracket and head made of reinforced polyamide black colour; eyebolt, nut and washer made of stainless steel AISI 304.

FEATURES: Max tightening torque 4 Kg-m.

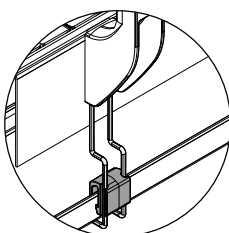
BOX QUANTITY: 24 pieces.

ON REQUEST:

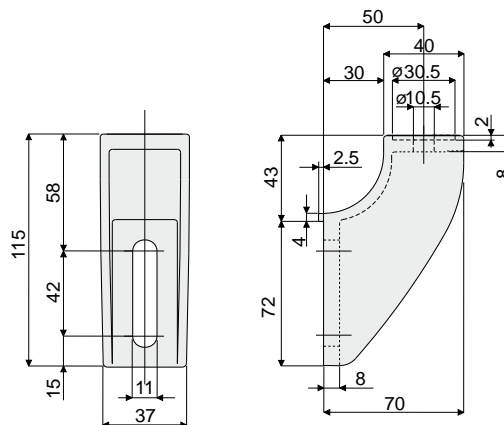
- Brackets: In reinforced polypropylene, other colours.
- Box Quantity: According to your request.

Guide rail bracket (for adjustable heads)

Part. **209**



Presetting for
drip tray support
(see on page 26)



Code
209 / 80754

MATERIALS: Bracket made out of reinforced polyamide black colour.

FEATURES: To be used with heads Part.221, 222, 223 and 266.

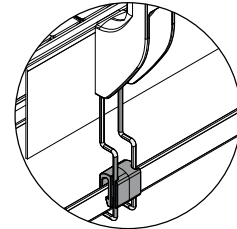
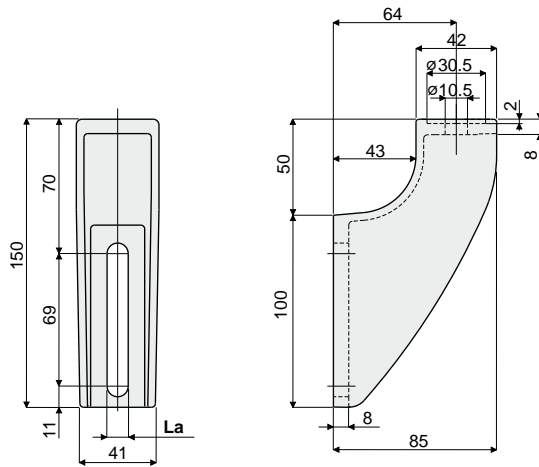
BOX QUANTITY: 24 pieces.

ON REQUEST:

- Brackets: In reinforced polypropylene, other colours.
- Box Quantity: According to your request.

Guide rail brackets

Part. 220 Guide rail bracket (for adjustable heads)



Presetting for drip tray support (see on page 26)

La (9 mm slot)	La (11 mm slot)
Code	Code
220 / 82111	220 / 80667

MATERIALS: Bracket made out of reinforced polyamide black colour.

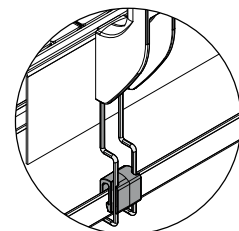
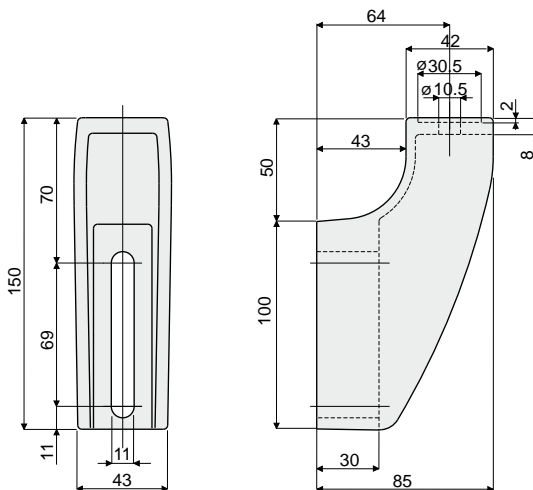
FEATURES: To be used with heads Part.221, 222, 223 and 266.

BOX QUANTITY: 24 pieces.

ON REQUEST:

- Brackets: In reinforced polypropylene, other colours.
- Box Quantity: According to your request.

Part. 242 Guide rail bracket (reinforced type for adjustable head)



Presetting for drip tray support (see on page 26)

Code
242 / 81002

MATERIALS: Bracket made of reinforced polyamide black colour.

FEATURES: To be used with heads Part.221, 222, 223 and 266 for heavy applications. Suitable in conveyors with more ways, both in accumulation and curve.

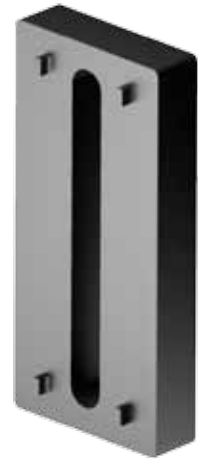
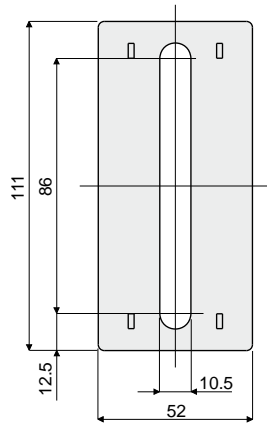
BOX QUANTITY: 24 pieces.

ON REQUEST:

- Brackets: In reinforced polypropylene, other colours.
- Box Quantity: According to your request.

Guide rail brackets

Spacer for bracket Part. **224**



Code

224 / 80676

MATERIALS: Spacer made of reinforced polyamide black colour.

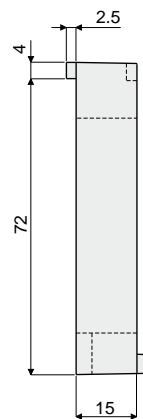
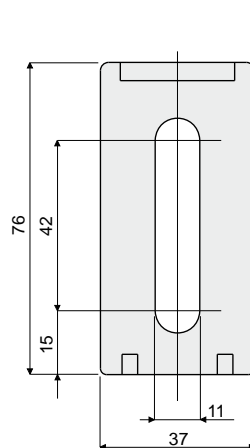
FEATURES: Accessory to be used with brackets Part.215, 218, 219, 220, 242, 243, 244, 255, 280, 281.

BOX QUANTITY: 24 pieces.

ON REQUEST:

- Spacers: In reinforced polypropylene, other colours.
- Box Quantity: According to your request.

Spacer for bracket Part. **225**



Code

225 / 80677

MATERIALS: Spacer made of reinforced polyamide black colour.

FEATURES: Accessory to be used with brackets Part.213, 214, 216, 217, 209, 279.

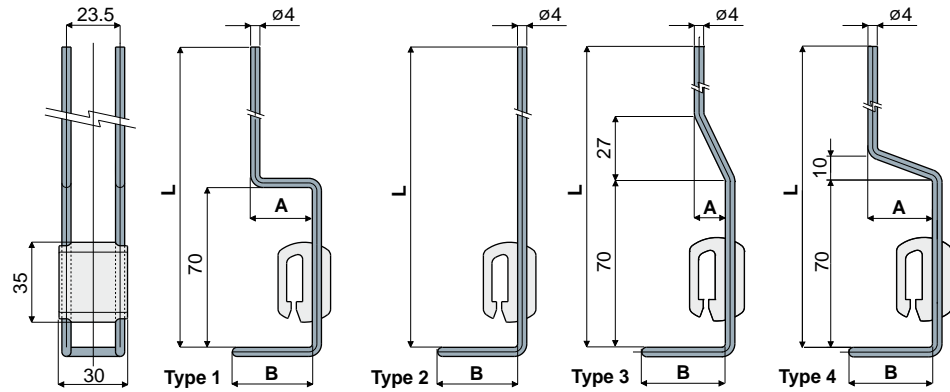
BOX QUANTITY: 24 pieces.

ON REQUEST:

- Spacers: In reinforced polypropylene, other colours.
- Box Quantity: According to your request.

Guide rail brackets

Part. 236 Drip tray support



L (mm)	B (mm)	A (mm)	Type 1 Code
180	35	27	236 / 80779
180	35	17	236 / 81012
230	35	27	236 / 82683

L (mm)	B (mm)	Type 2 Code
200	35	236 / 80780
246	35	236 / 81013

L (mm)	B (mm)	A (mm)	Type 3 Code
250	35	13	236 / 82640

L (mm)	B (mm)	A (mm)	Type 4 Code
280	35	27	236 / 82949

MATERIALS: Support elements made of stainless steel AISI 304; body of coupling made of reinforced polyamide black colour.

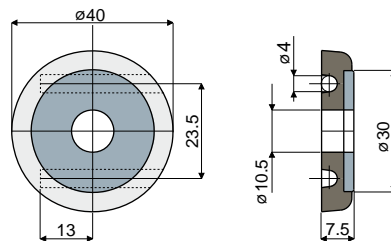
FEATURES: To be used to support drip trays.

BOX QUANTITY: 24 pieces.

ON REQUEST:

- Drip tray supports: Supplied in different shapes and sizes.
- Box Quantity: According to your request.

Part. 235 Mounting plate (for drip tray support)



Code

235 / 80778

MATERIALS: Plate made of reinforced polyamide black colour; washer made of stainless steel AISI 304.

FEATURES: For application on conveyor side to fasten drip tray support.

BOX QUANTITY: 24 pieces.

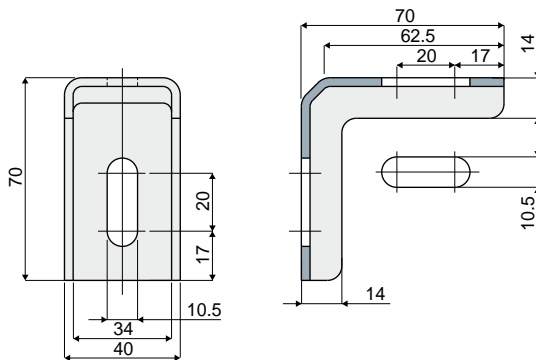
ON REQUEST:

- Box Quantity: According to your request.

Guide rail brackets

Bracket 90°
(70 mm x 70 mm)

Part. **387**



Code

387 / 84128

MATERIALS: Bracket in stainless steel AISI 304.

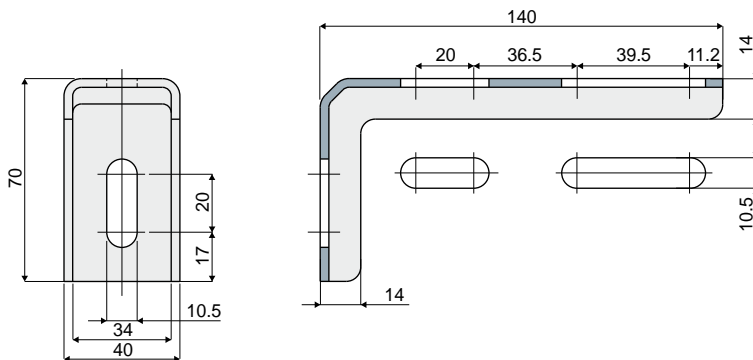
BOX QUANTITY: 24 pieces.

ON REQUEST:

- Box quantities: According to your request.

Bracket 90°
(70 mm x 140 mm)

Part. **392**



Code

392 / 84130

MATERIALS: Bracket in stainless steel AISI 304.

BOX QUANTITY: 24 pieces.

ON REQUEST:

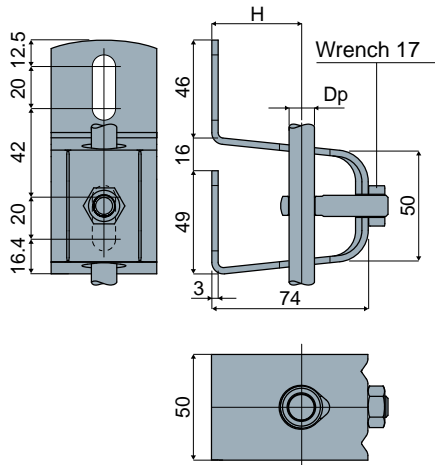
- Box quantities: According to your request.

Guide rail brackets

Part. 408

Guide rail bracket (compact version)

NEW



Dp Pin diameter (mm)	H (mm)	Code
12	49	408 / 84337
14	47	408 / 84338
16	46	408 / 84339

MATERIALS: Bracket, eyebolt and nut made of stainless steel AISI 304.

FEATURES: Supplied complete with bolts and nuts.

BOX QUANTITY: 8 pieces.

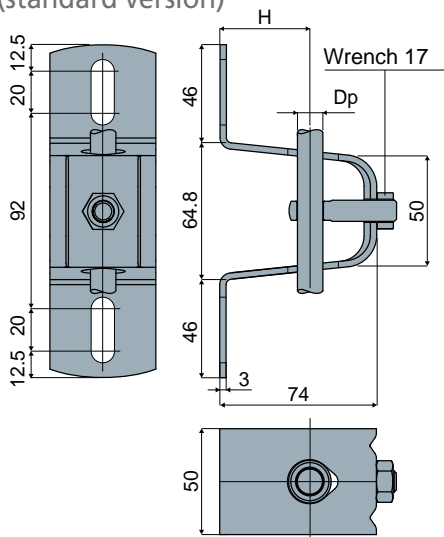
ON REQUEST:

- Box Quantity: According to your request.
- Assembly of: Eyebolts, nuts.

Part. 408

Guide rail bracket (standard version)

NEW



Dp Pin diameter (mm)	H (mm)	Code
12	49	408 / 84334
14	47	408 / 84335
16	46	408 / 84336

MATERIALS: Bracket, eyebolt and nut made of stainless steel AISI 304.

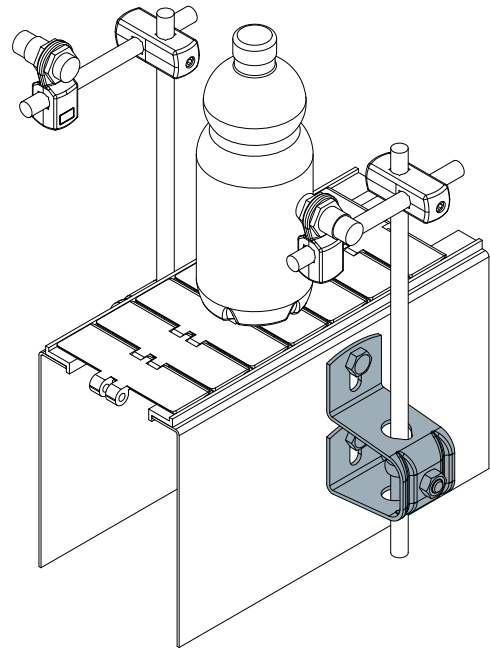
FEATURES: Supplied complete with bolts and nuts.

BOX QUANTITY: 8 pieces.

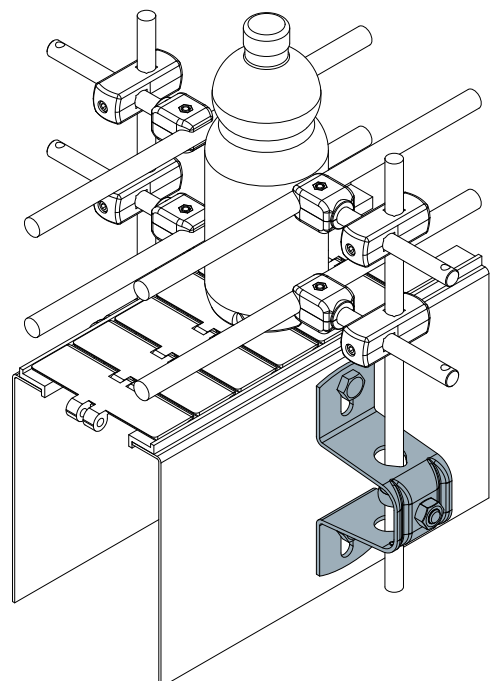
ON REQUEST:

- Box Quantity: According to your request.
- Assembly of: Eyebolts, nuts.

Example of application

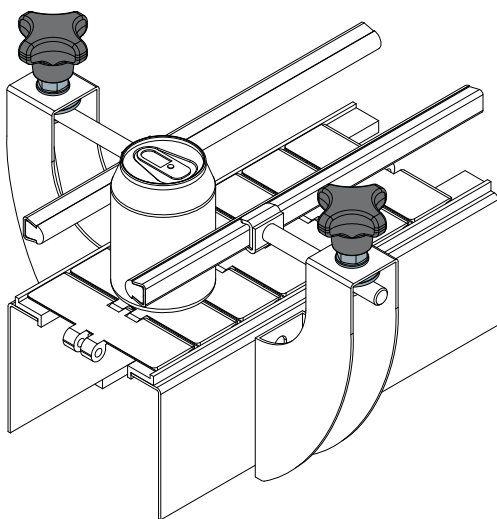


Example of application



Tightening eyebolts

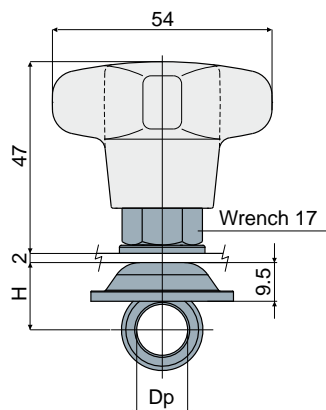
Example of application



Tightening eyebolt
(with knob)

Part. **406**

NEW



Dp Pin diameter (mm)	H (mm)	Code
12	15.5	406 / 84328
14	16.5	406 / 84329
16	17.5	406 / 84330

MATERIALS: Eyebolt and washers made of stainless steel AISI 304, threaded bushing in nickel plated brass; knob in reinforced polyamide black colour.

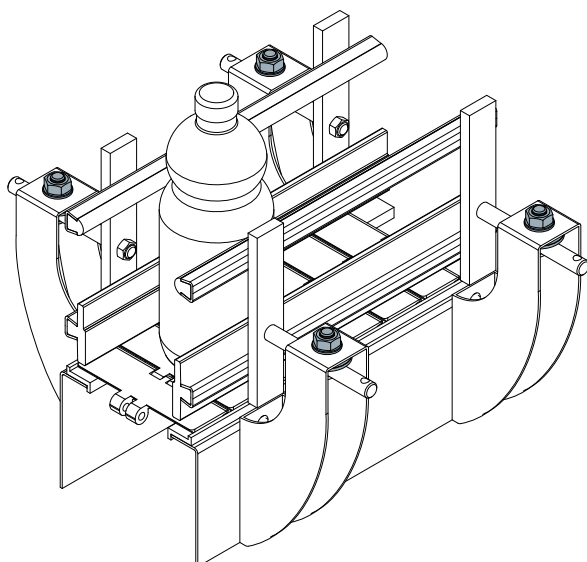
FEATURES: Supplied complete with bolts and nuts.

BOX QUANTITY: 24 pieces.

ON REQUEST:

- Assembly of: Eyebolts, washers and nuts.
- Box Quantity: According to your request.

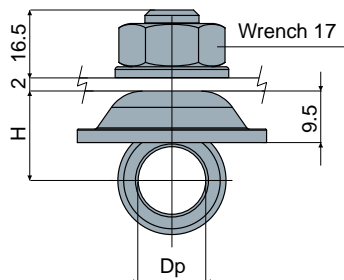
Example of application



Tightening eyebolt
(with nut)

Part. **407**

NEW



Dp Pin diameter (mm)	H (mm)	Code
12	15.5	407 / 84331
14	16.5	407 / 84332
16	17.5	407 / 84333

MATERIALS: Eyebolt, washers and nuts made of stainless steel AISI 304.

FEATURES: Supplied complete with bolts and nuts.

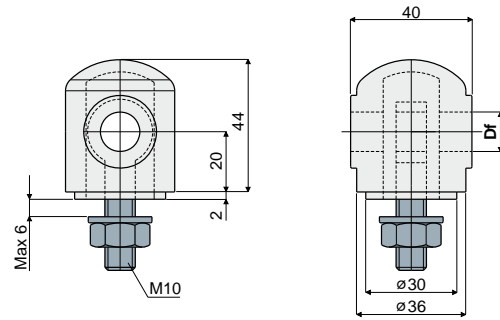
BOX QUANTITY: 24 pieces.

ON REQUEST:

- Assembly of: Eyebolts, washers and nuts.
- Box Quantity: According to your request.

Heads for brackets

Part. 222 Head for bracket



Df Bore for pin of (mm)	Code
12	222 / 80671
14	222 / 80672
16	222 / 80673

MATERIALS: Head made of reinforced polyamide black colour; eyebolt, nut and washer made of stainless steel AISI 304.

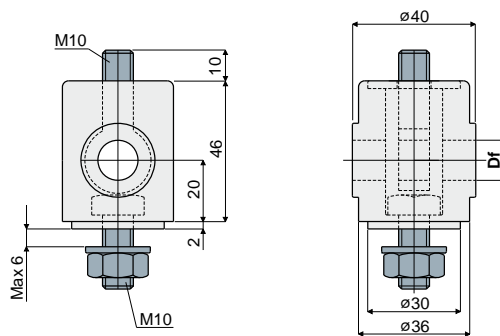
FEATURES: To be used with bracket Part.209, 220 and 242. Max tightening torque 4 Kg-m.

BOX QUANTITY: 24 pieces.

ON REQUEST:

- Heads: In reinforced polypropylene, other colours.
- Box Quantity: According to your request.

Part. 221 Head for bracket



Df Bore for pin of (mm)	Code
12	221 / 80668
14	221 / 80669
16	221 / 80670

MATERIALS: Head made of reinforced polyamide black colour; eyebolt, screw, nut and washers made of stainless steel AISI 304.

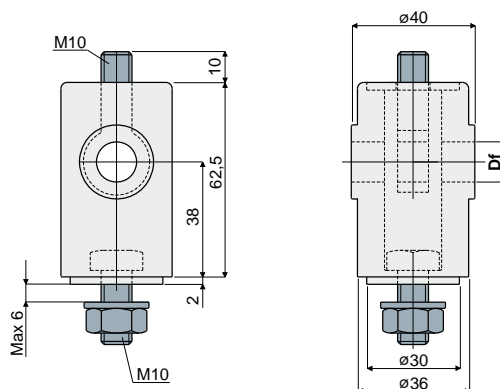
FEATURES: To be used with bracket Part.209, 220 and 242. Max tightening torque 4 Kg-m.

BOX QUANTITY: 24 pieces.

ON REQUEST:

- Heads: In reinforced polypropylene, other colours.
- Box Quantity: According to your request.

Part. 266 Head for bracket (high type)



Df Bore for pin of (mm)	Code
12	266 / 82035
14	266 / 82036
16	266 / 82037

MATERIALS: Head made of reinforced polyamide black colour; eyebolt, nuts and washer made of stainless steel AISI 304.

FEATURES: To be used with bracket Part.209, 220 and 242. Max tightening torque 4 Kg-m.

BOX QUANTITY: 24 pieces.

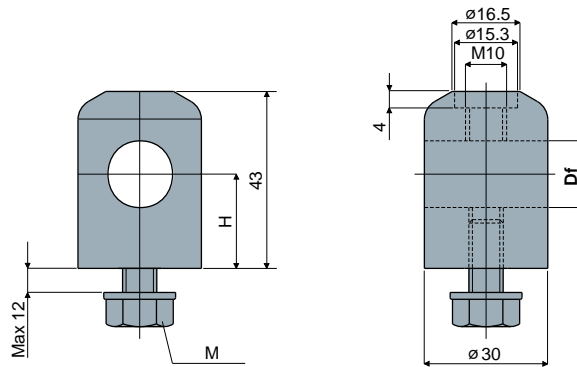
ON REQUEST:

- Heads: Made of reinforced polypropylene, other colours.
- Box Quantity: According to your request.

Heads for brackets

Head for bracket (metal)

Part. **223**



M	Df		H	Head made out of	Head made out of
	Bore for pin of			nickel plated brass	stainless steel AISI 304
	(mm)	(inches)	(mm)	Code	Code
M8x16	14 - 16	-	22	-	223 / 84544
M10x16	14 - 16	-	22	-	223 / 84226
	12,7	1/2"	22	-	223 / 84543
M10x20	14 - 16	-	22	223 / 80674	223 / 80675
	14 - 16	-	40	-	223 / 84542
	14 - 16	-	60	-	223 / 83640

MATERIALS: Head made out of stainless steel AISI 304 or nickel plated brass; screw and washer made out of stainless steel AISI 304.

FEATURES: To be used with Part.209, 220 and 242. Max tightening torque 4 Kg·m.

Possibility to use pins with diameter 12.7, 14, 16 mm and 1/2".

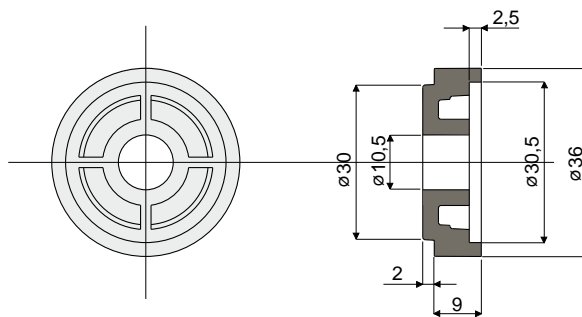
BOX QUANTITY: 24 pieces.

ON REQUEST:

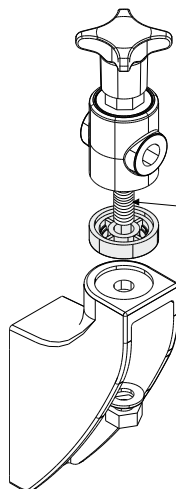
- Heads: In different lengths.
- Box Quantity: According to your request.

Spacer for heads

Part. **256**



Example of application



N.B.: To use the spacer, it is necessary to change the standard screw with a longer one.

Code
256 / 81011

MATERIALS: Spacer made of reinforced polyamide black colour.

FEATURES: Accessory to be used on brackets Part.214, 215, 216, 217, 219, 255, 209, 220, 242, 218, 243, 244, 279, 280, 281 to increase heads height.

BOX QUANTITY: 24 pieces.

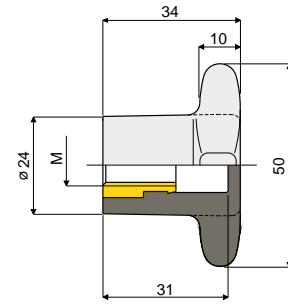
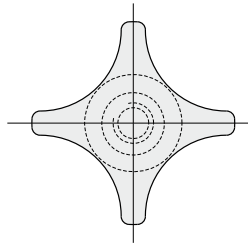
ON REQUEST:

- Spacers: In reinforced polypropylene, other colours.
- Box Quantity: According to your request.

Knobs and handles

Part. 226 Knob for bracket

M	Code
M8	226 / 81147
M10	226 / 80678
M12	226 / 81148



MATERIALS: Knob made of reinforced polyamide black colour; threaded bushing made of brass.

FEATURES: Accessory to be used with heads Part.221 and 266.

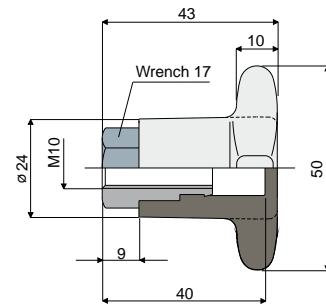
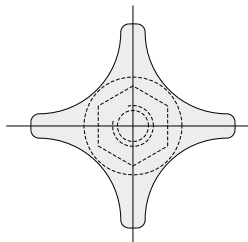
BOX QUANTITY: 24 pieces.

ON REQUEST:

- Knobs: In reinforced polypropylene, other colours.
- Box Quantity: According to your request.

Part. 227 Knob for bracket

Code
227 / 80679



MATERIALS: Knob made of reinforced polyamide black colour; threaded bushing made of brass.

FEATURES: Accessory to be used with heads Part.221 and 266.

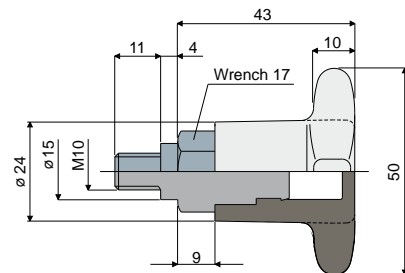
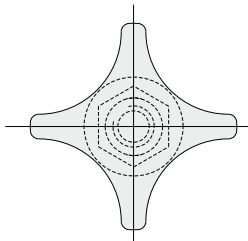
BOX QUANTITY: 24 pieces.

ON REQUEST:

- Knobs: In reinforced polypropylene, other colours.
- Box Quantity: According to your request.

Part. 228 Knob for bracket

Code
228 / 80680



MATERIALS: Knob made of reinforced polyamide black colour; threaded bushing made of brass.

FEATURES: Accessory to be used with head Part.223.

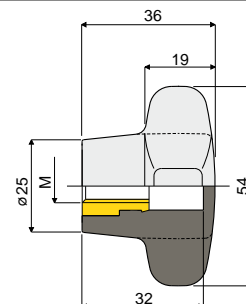
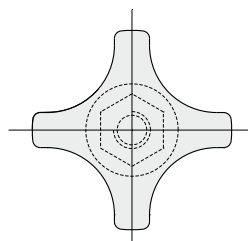
BOX QUANTITY: 24 pieces.

ON REQUEST:

- Knobs: In reinforced polypropylene, other colours.
- Box Quantity: According to your request.

Part. 246 Knob for bracket (reinforced type)

M	Code
M8	246 / 84473
M10	246 / 81135
M12	246 / 84870



MATERIALS: Knob made of reinforced polyamide black colour; threaded bushing is made of brass.

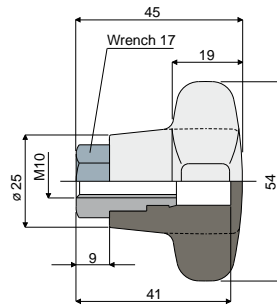
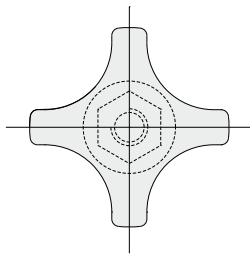
FEATURES: Accessory to be applied to our heads Part.221 and Part.266.

BOX QUANTITY: 24 pieces.

ON REQUEST:

- Knobs: In reinforced polypropylene, other colours.
- Box Quantity: According to your request.

Knobs and handles



Knob for bracket
(reinforced type)

Part. **247**



Code

247 / 81137

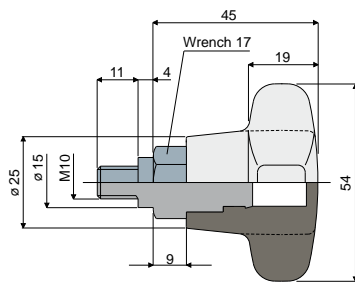
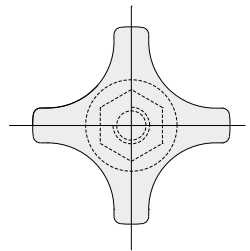
MATERIALS: Knob made of reinforced polyamide black colour; threaded bushing made of nickel plated brass.

FEATURES: Accessory to be applied to our heads Part.221 and Part.266.

BOX QUANTITY: 24 pieces.

ON REQUEST:

- Knobs: In reinforced polypropylene, other colours.
- Box Quantity: According to your request.



Knob for bracket
(reinforced type)

Part. **248**



Code

248 / 81139

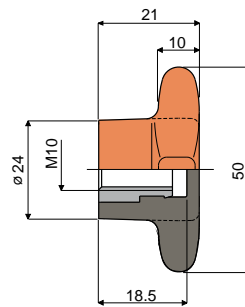
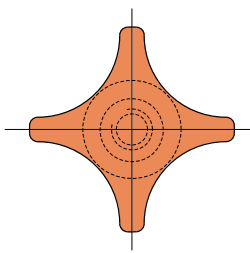
MATERIALS: Knob made of reinforced polyamide black colour; threaded insert made of nickel plated brass.

FEATURES: Accessory to be applied to our head Part.223.

BOX QUANTITY: 24 pieces.

ON REQUEST:

- Knobs: In reinforced polypropylene, other colours.
- Box Quantity: According to your request.



Knob for bracket
(short type)

Part. **313**



Code

313 / 82848

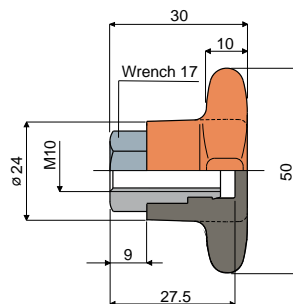
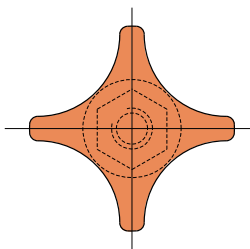
MATERIALS: Knob made of reinforced polyamide orange colour; threaded bushing made of nickel plated brass.

FEATURES: Accessory to be used with heads Part.221 and 266.

BOX QUANTITY: 24 pieces.

ON REQUEST:

- Knobs: In reinforced polypropylene, other colours.
- Box Quantity: According to your request.



Knob for bracket
(short type)

Part. **314**



Code

314 / 82849

MATERIALS: Knob made of reinforced polyamide orange colour; threaded bushing made of nickel plated brass.

FEATURES: Accessory to be used with heads Part.221 and 266.

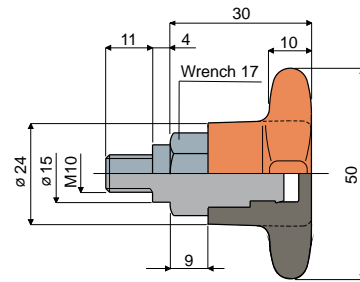
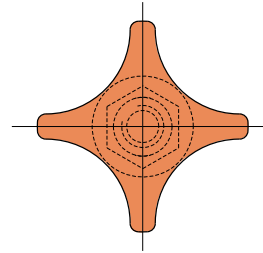
BOX QUANTITY: 24 pieces.

ON REQUEST:

- Knobs: In reinforced polypropylene, other colours.
- Box Quantity: According to your request.

Knobs and handles

Part. 315 Knob for bracket (short type)



Code
315 / 82850

MATERIALS: Knob made of reinforced polyamide orange colour; threaded bushing made of nickel plated brass.

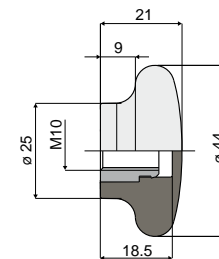
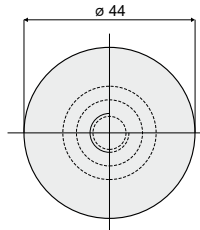
FEATURES: Accessory to be used with head Part.223.

BOX QUANTITY: 24 pieces.

ON REQUEST:

- Knobs: In reinforced polypropylene, other colours.
- Box Quantity: According to your request.

Part. 334 Round handle (ø 44 mm)



Code
334 / 83116

MATERIALS: Handle made of reinforced polyamide black colour; threaded bushing made of nickel plated brass.

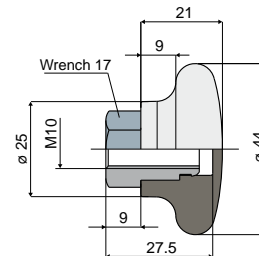
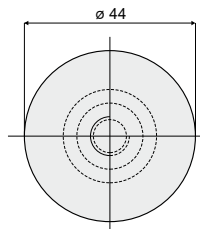
FEATURES: Accessory to be used with heads Part.221 and 266.

BOX QUANTITY: 24 pieces.

ON REQUEST:

- Handles: In reinforced polypropylene, other colours.
- Box Quantity: According to your request.

Part. 337 Round handle (ø 44 mm)



Code
337 / 83302

MATERIALS: Handle made of reinforced polyamide black colour; threaded bushing made of nickel plated brass.

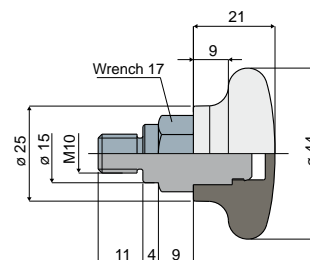
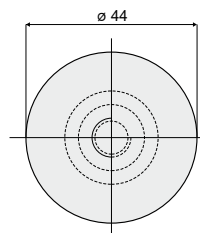
FEATURES: Accessory to be used with heads Part.221 and 266.

BOX QUANTITY: 24 pieces.

ON REQUEST:

- Handles: In reinforced polypropylene, other colours.
- Box Quantity: According to your request.

Part. 338 Round handle (ø 44 mm)



Code
338 / 83303

MATERIALS: Handle made of reinforced polyamide black colour; threaded bushing made of nickel plated brass.

FEATURES: Accessory to be used with head Part.223.

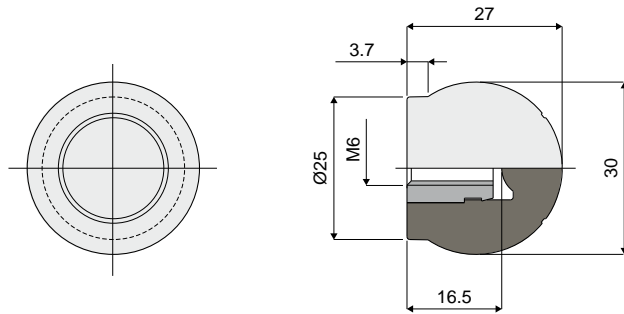
BOX QUANTITY: 24 pieces.

ON REQUEST:

- Handles: In reinforced polypropylene, other colours.
- Box Quantity: According to your request.

Knobs and handles

Ball handle Part. 382



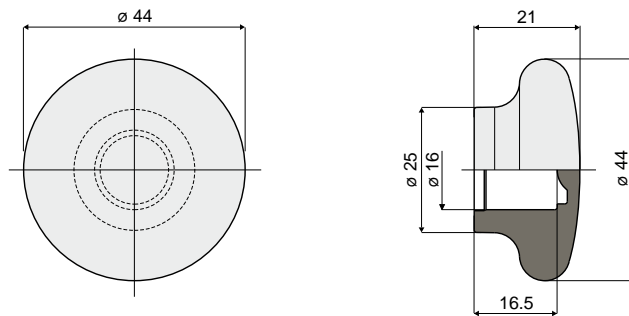
Code
382 / 84119

MATERIALS: Ball handle made of reinforced polyamide, black color; threaded bushing in nickel plated brass.
BOX QUANTITY: 24 pieces.

ON REQUEST:

- Handles: Made in reinforced polypropylene, different colours.
- Box quantities: According to your request.

Round handle Part. 386 (ø 44 mm)



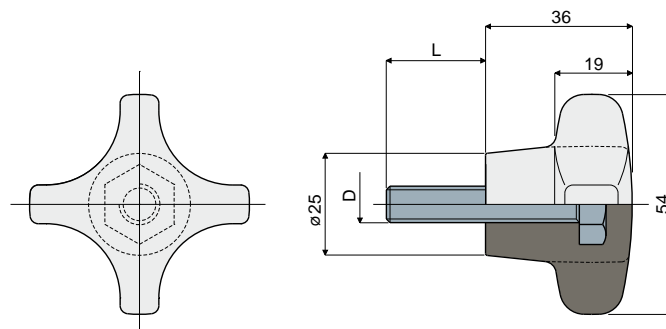
Code
386 / 84124

MATERIALS: Handle in reinforced polypropylene, orange colour.
FEATURES: to be used as protection for the pins edges.
BOX QUANTITY: 24 pieces.

ON REQUEST:

- Handles: in reinforced polypropylene, different colours.
- Box quantities: according to your request.

Knob for bracket Part. 294 (reinforced type)



D (mm)	L (mm)	Code
M8	22	294 / 82805
M10	22	294 / 82588

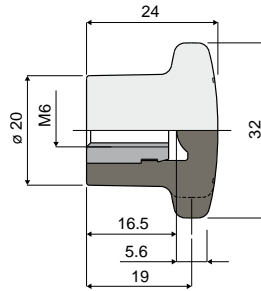
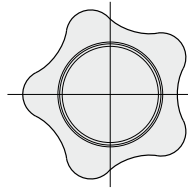
MATERIALS: Knob made of reinforced polyamide black colour; bolt made of stainless steel AISI 304.
BOX QUANTITY: 24 pieces.

ON REQUEST:

- Knobs: made of reinforced polypropylene, in other colours.
- Box Quantity: According to your request.

Knobs and handles

Part. 383 Knob



Code
383 / 84120

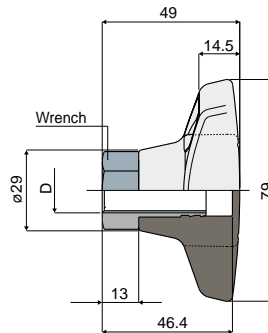
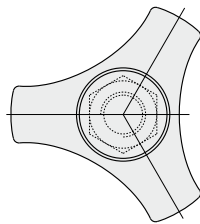
MATERIALS: Knob made of reinforced polyamide, black color; threaded bushing in nickel plated brass.

BOX QUANTITY: 24 pieces.

ON REQUEST:

- Knobs: In reinforced polypropylene, other colours, with customized brand.
- Box Quantity: According to your request.

Part. 350 Knob



D	Wrench	Code
M12	19	350 / 83398
M16	24	350 / 83399

MATERIALS: Knob made of reinforced polyamide black colour; threaded bushing in nickel plated brass.

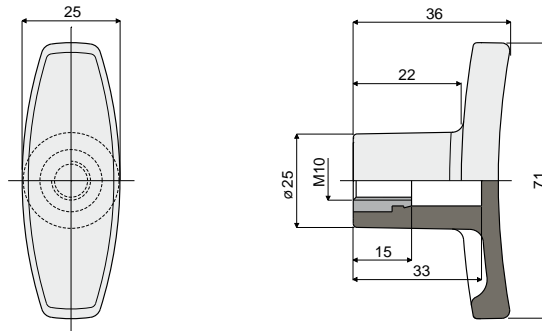
BOX QUANTITY: 24 pieces.

ON REQUEST:

- Knobs: In reinforced polypropylene, other colours, with customized brand.
- Box Quantity: According to your request.

Knobs and handles

"T"- handle Part. 303



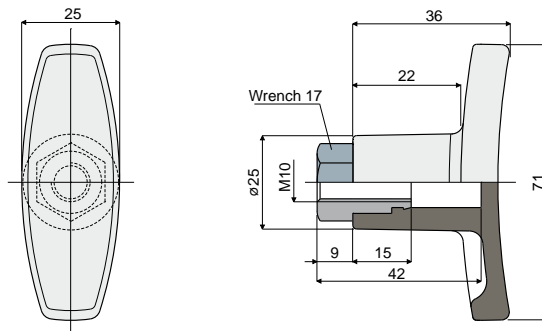
Code
303 / 82806

MATERIALS: Handle is made of reinforced polyamide black colour; threaded bushing is made of nickel plated brass.
BOX QUANTITY: 24 pieces.

ON REQUEST:

- Handles: made of reinforced polypropylene, other colours.
- Box Quantity: According to your request.

"T"- handle Part. 304



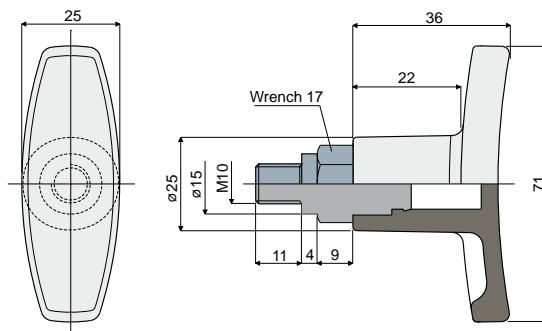
Code
304 / 82807

MATERIALS: Handle is made of reinforced polyamide black colour; threaded bushing is made of nickel plated brass.
BOX QUANTITY: 24 pieces.

ON REQUEST:

- Handles: made of reinforced polypropylene, other colours.
- Box Quantity: According to your request.

"T"- handle Part. 305



Code
305 / 82808

MATERIALS: Handle is made of reinforced polyamide black colour; threaded bushing is made of nickel plated brass.
BOX QUANTITY: 24 pieces.

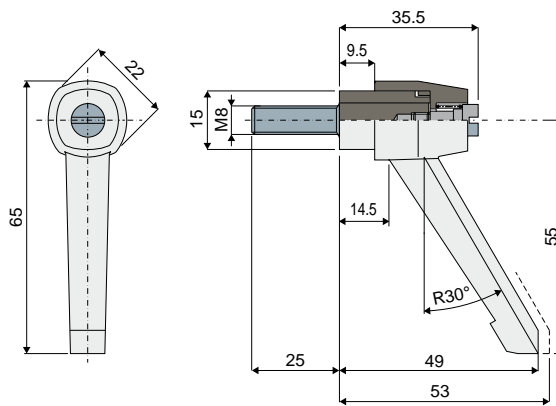
ON REQUEST:

- Handles: made of reinforced polypropylene, other colours.
- Box Quantity: According to your request.

Knobs and handles

Part. 397 Ratchet handle clamping

NEW



Code
397 / 84260

MATERIALS: Handle made of reinforced polyamide black colour; threaded insert made of stainless steel AISI 304.

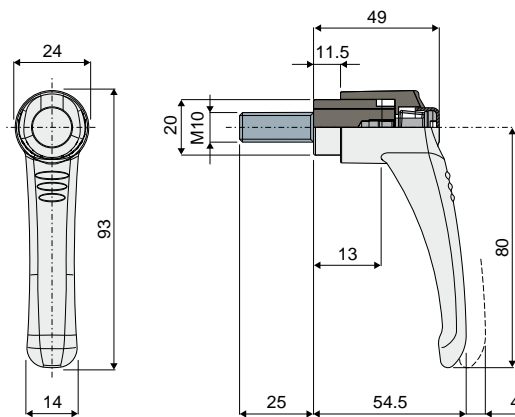
BOX QUANTITY: 24 pieces.

ON REQUEST:

- Box quantities: According to your request.

Part. 400 Ratchet handle clamping

NEW



Code
400 / 84316

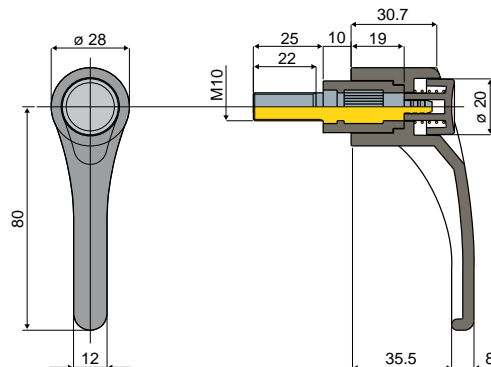
MATERIALS: Handle made of reinforced polyamide black colour with push button in orange colour; threaded insert made of stainless steel AISI 304.

BOX QUANTITY: 24 pieces

ON REQUEST:

- Box quantities: According to your request.

Part. 332 Ratchet handle clamping



Code
332 / 83113

MATERIALS: Handle made of reinforced polyamide black colour with push button in orange colour; threaded insert made of zinc plated steel.

BOX QUANTITY: 24 pieces.

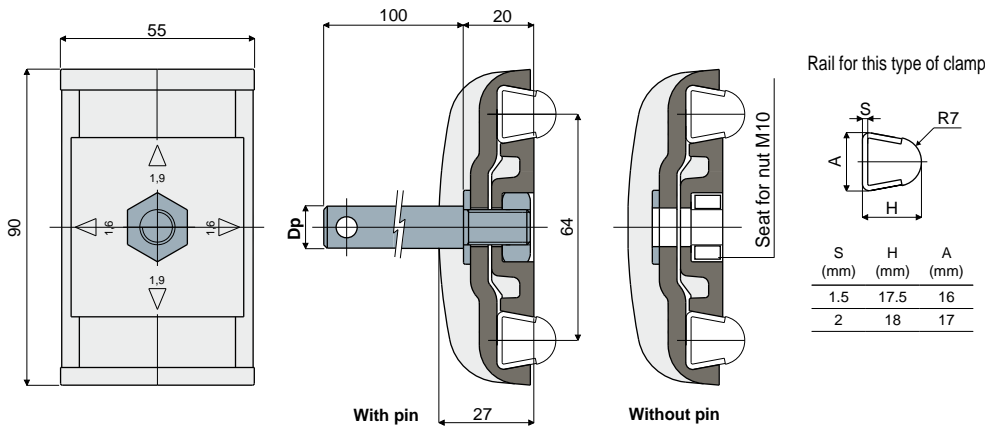
ON REQUEST:

- Handles: With threaded inserts M8, M10, M12, with different lengths; also available in stainless steel AISI 304.
- Box Quantity: According to your request.

Guide rail clamps

Guide rail clamp (for trapezoidal rails)

Part. **230**



Dp Pin diameter (mm)	With pin Code	Without pin Code
12	230 / 80684	
14	230 / 80685	230 / 80611
16	230 / 80686	

MATERIALS: Clamp made of reinforced polyamide black colour; pin, nut and washer made of stainless steel AISI 304.

FEATURES: Supplied with or without support pin. With this item it is possible to use thickness 1,5 and 2 mm guides, by rotating for 90° the central plate: Part.354, 377, 419, 418, 420, 353.

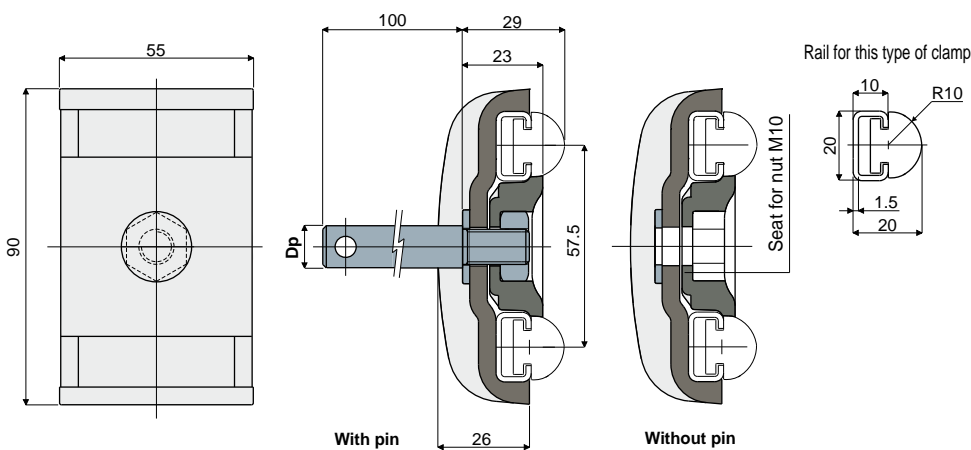
BOX QUANTITY: 24 pieces.

ON REQUEST:

- Clamps: In reinforced polypropylene, other colours.
- Box Quantity: According to your request.

Guide rail clamp (for rectangular rails)

Part. **289**



Dp Pin diameter (mm)	With pin Code	Without pin Code
12	289 / 82569	
14	289 / 82570	289 / 82572
16	289 / 82571	

MATERIALS: Clamp made of reinforced polyamide black colour; pin, nut and washer made of stainless steel AISI 304.

FEATURES: Supplied with or without support pin. To be used for the support of the product guide rail Part.373.

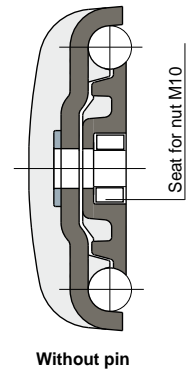
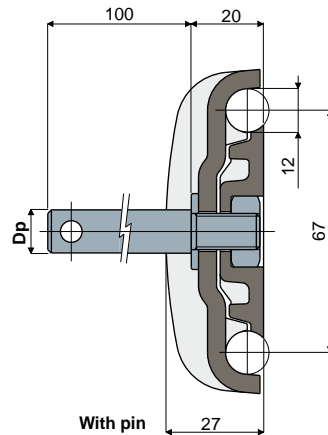
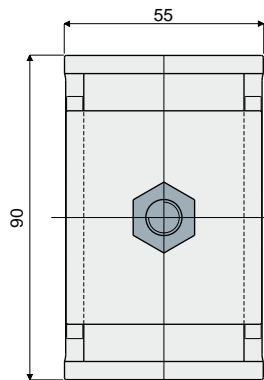
BOX QUANTITY: 24 pieces.

ON REQUEST:

- Clamps: In reinforced polypropylene, other colours.
- Box Quantity: According to your request.

Guide rail clamps

Part. 229 Guide rail clamp (for round rails)



Dp Pin diameter (mm)	With pin Code	Without pin Code
12	229 / 80681	
14	229 / 80682	229 / 80609
16	229 / 80683	

MATERIALS: Clamp made of reinforced polyamide black colour; pin, nut and washer made of stainless steel AISI 304.

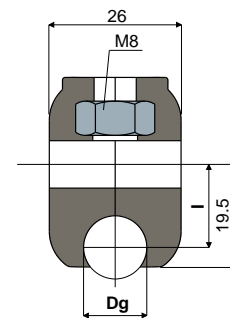
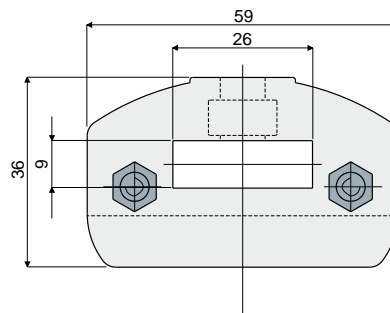
FEATURES: Supplied with or without support pin.

BOX QUANTITY: 24 pieces.

ON REQUEST:

- Clamps: In reinforced polypropylene, other colours.
- Box Quantity: According to your request.

Part. 231 Guide rail clamp (for round rails)



Dg Rail diameter (mm)	l (mm)	Code
8	16	231 / 80749
10	15	231 / 80788
12	15	231 / 80687
14	15	231 / 80787

MATERIALS: Clamp made of reinforced polyamide black colour; bolts and nuts made of stainless steel AISI 304.

FEATURES: Supplied assembled. To be used with flat support with sizes 25x8 mm.

BOX QUANTITY: 24 pieces.

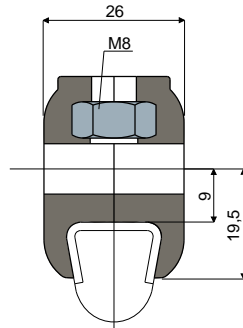
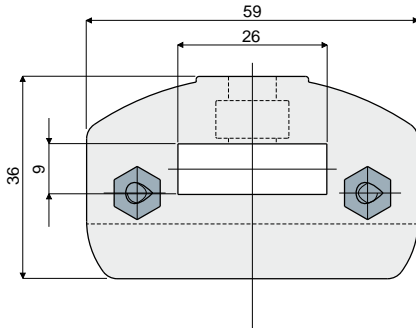
ON REQUEST:

- Clamps: In reinforced polypropylene, other colours.
- Box Quantity: According to your request.

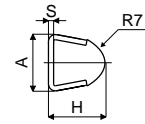
Guide rail clamps

Guide rail clamp (for trapezoidal rails)

Part. **232**



Rail for this type of clamp



S (mm)	H (mm)	A (mm)
1.5	17.5	16
2	18	17



Code
232 / 80688

MATERIALS: Clamp made of reinforced polyamide black colour; bolts and nuts made of stainless steel AISI 304.

FEATURES: Supplied assembled. To be used with flat support with sizes 25x8 mm. With this item it is possible to use thickness 1,5 and 2 mm guides: Part.354, 377, 419, 418, 420, 353.

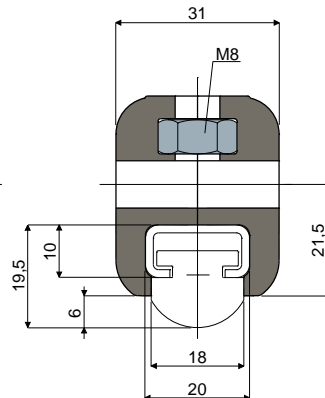
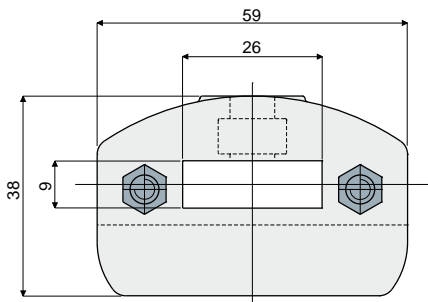
BOX QUANTITY: 24 pieces.

ON REQUEST:

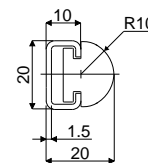
- Clamps: In reinforced polypropylene, other colours.
- Box Quantity: According to your request.

Guide rail clamp (for rectangular rails)

Part. **291**



Rail for this type of clamp



Code
291 / 82578

MATERIALS: Clamp made of reinforced polyamide black colour; bolts and nuts made of stainless steel AISI 304.

FEATURES: Supplied assembled. To be used with flat profile with sizes 25x8 mm. To be used for the support of the product guide rail Part.373.

BOX QUANTITY: 24 pieces.

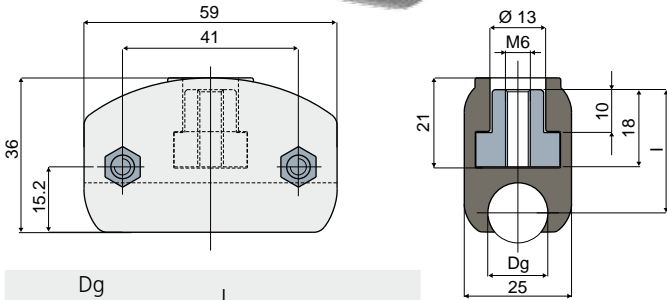
ON REQUEST:

- Clamps: In reinforced polypropylene, other colours.
- Box Quantity: According to your request.

Guide rail clamps

Part. 346

Guide rail clamp (for round rails)



Dg Rail diameter (mm)	l (mm)	Code
8	30	346 / 83390
10	29.5	346 / 83391
12	29.5	346 / 83392
14	28.7	346 / 83393

MATERIALS: Clamp made of reinforced polyamide black colour; threaded insert in nickel plated brass; bolts and nuts in stainless steel AISI 304.

FEATURES: Designed appositely to be assembled directly on the pneumatic cylinder for the rails regulation. Supplied assembled.

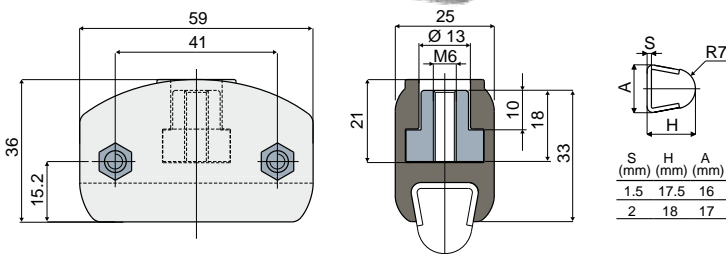
BOX QUANTITY: 24 pieces.

ON REQUEST:

- Clamps: In reinforced polypropylene, other colours.
- Box Quantity: According to your request.

Part. 347

Guide rail clamp (for trapezoidal rails)



Code
347 / 83394

MATERIALS: Clamp made of reinforced polyamide black colour; threaded insert in nickel plated brass; bolts and nuts in stainless steel AISI 304.

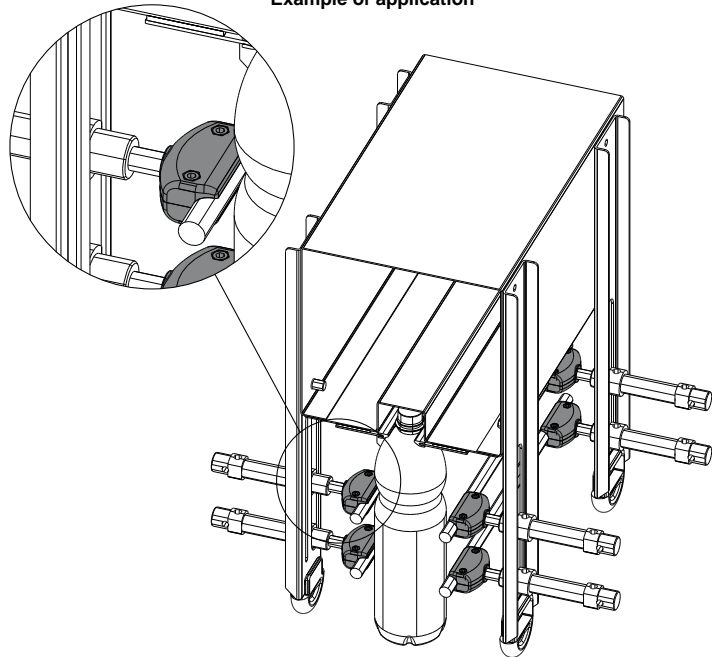
FEATURES: Designed appositely to be assembled directly on the pneumatic cylinder for the rails regulation. With this item it is possible to use thickness 1,5 and 2 mm guides.: Part.354, 377, 419, 418, 420, 353. Supplied assembled.

BOX QUANTITY: 24 pieces.

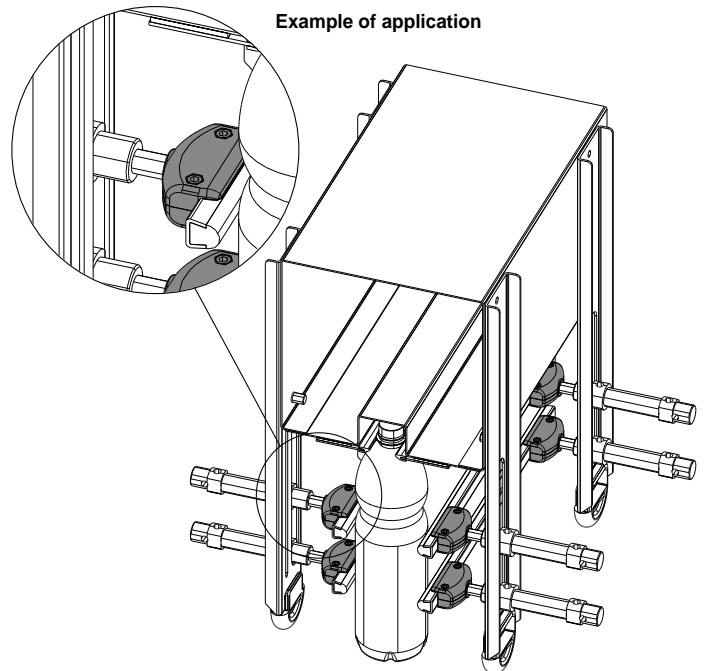
ON REQUEST:

- Clamps: In reinforced polypropylene, other colours.
- Box Quantity: According to your request.

Example of application

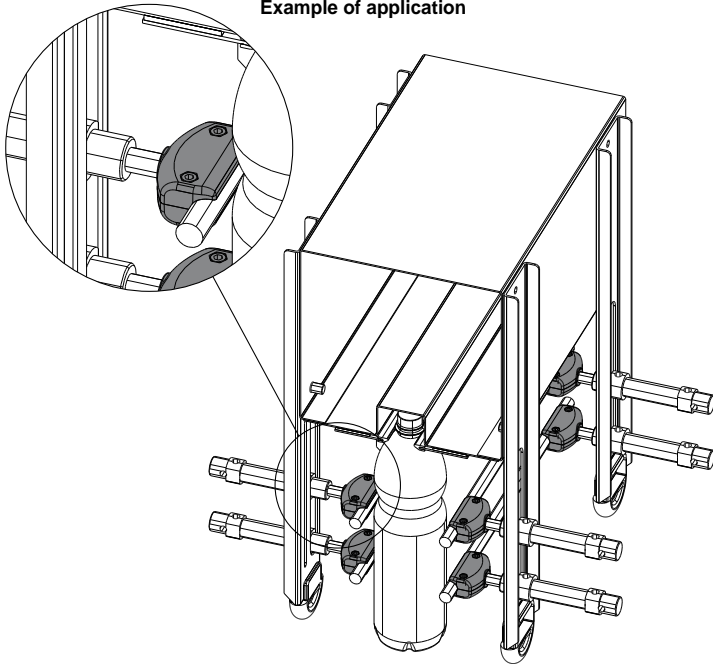


Example of application



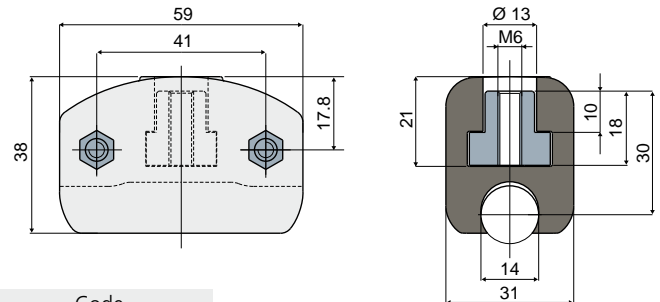
Guide rail clamps

Example of application



Guide rail clamp (for round rails)

Part. **348**



Code
348 / 83395

MATERIALS: Clamp made of reinforced polyamide black colour; threaded insert in nickel plated brass; bolts and nuts in stainless steel AISI 304.

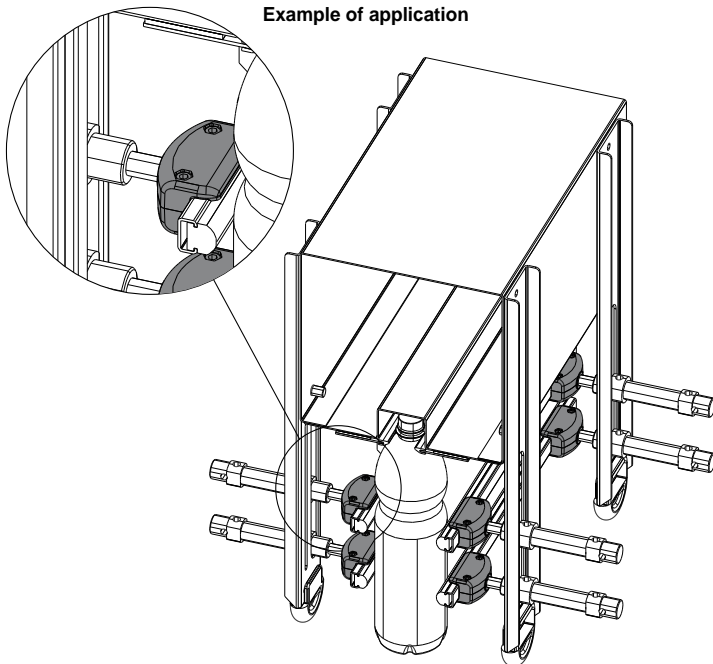
FEATURES: Designed appositely to be assembled directly on the pneumatic cylinder for the rails regulation. Supplied assembled.

BOX QUANTITY: 24 pieces.

ON REQUEST:

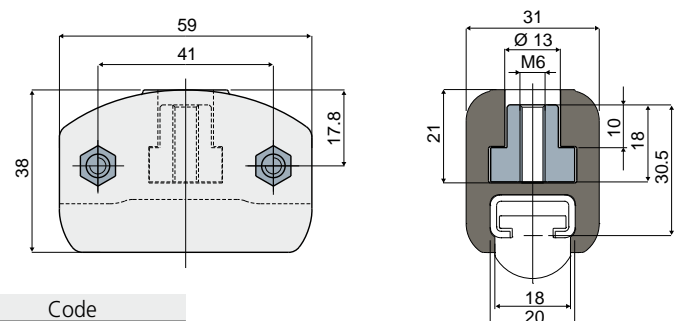
- Clamps: In reinforced polypropylene, other colours.
- Box Quantity: According to your request.

Example of application



Guide rail clamp (for rectangular rails)

Part. **349**



Code
349 / 83396

MATERIALS: Clamp made of reinforced polyamide black colour; threaded insert in nickel plated brass; bolts and nuts in stainless steel AISI 304.

FEATURES: Designed appositely to be assembled directly on the pneumatic cylinder for the rails regulation. To be used for the support of the product guide rail Part.373. Supplied assembled.

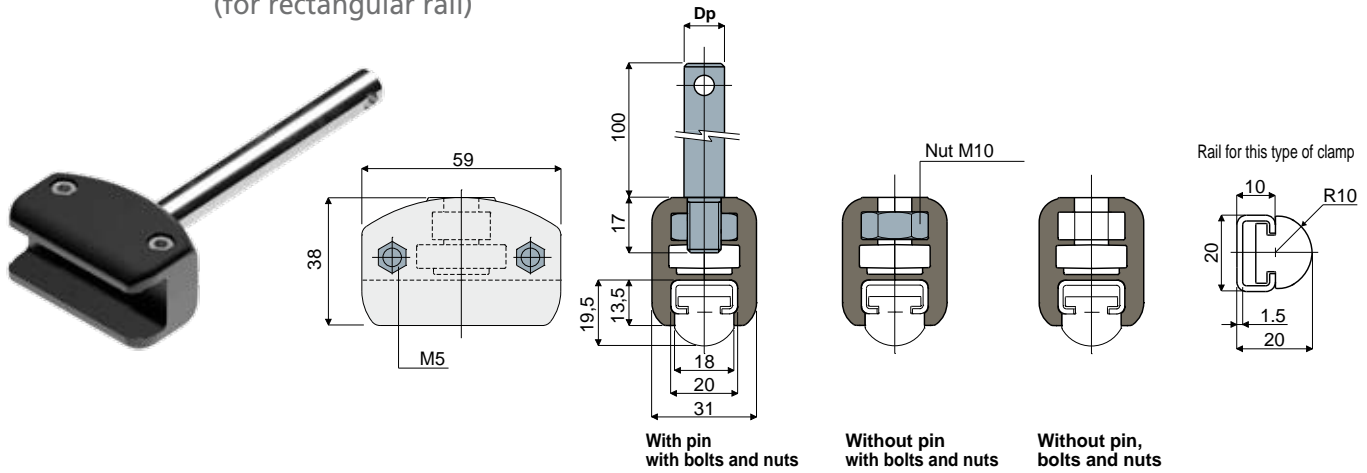
BOX QUANTITY: 24 pieces.

ON REQUEST:

- Clamps: In reinforced polypropylene, other colours.
- Box Quantity: According to your request.

Guide rail clamps

Part. 290 Guide rail clamp (for rectangular rail)



Dp Pin diameter (mm)	With pin with bolts and nuts		Without pin with bolts and nuts		Without pin, bolts and nuts	
	Code		Code		Code	
12	290 / 82573					
14	290 / 82574		290 / 82576		290 / 82577	
16	290 / 82575					

MATERIALS: Clamp made of reinforced polyamide black colour; pin, bolts and nuts made of stainless steel AISI 304.

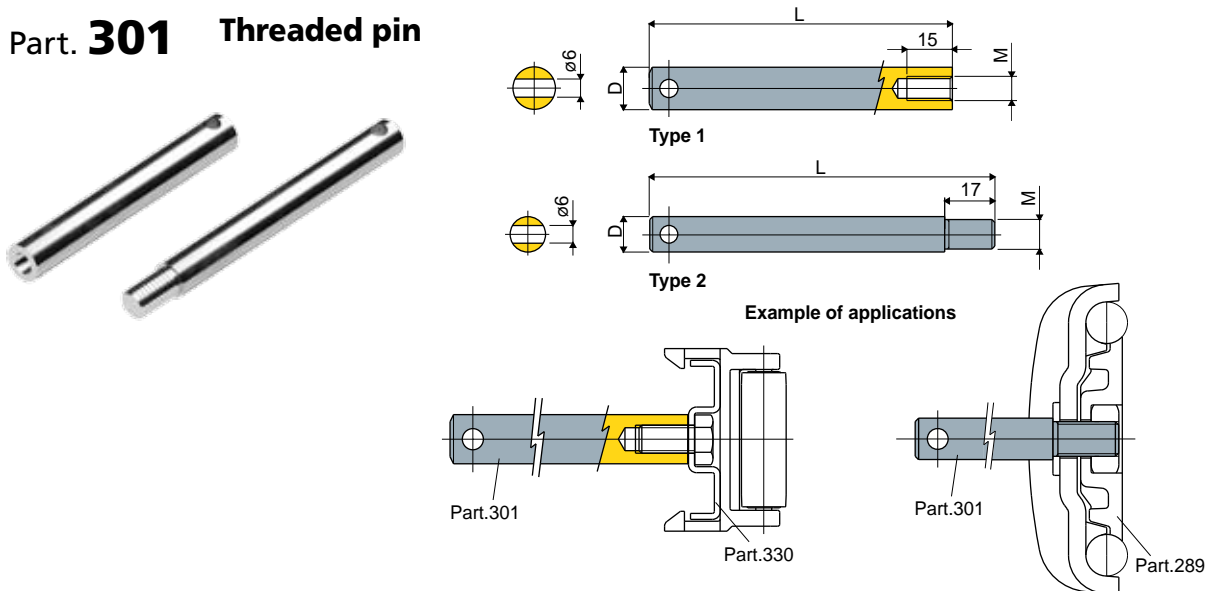
FEATURES: Supplied with or without support pin. To be used for the support of the product guide rail Part.373.

BOX QUANTITY: 24 pieces.

ON REQUEST:

- Clamps: In reinforced polypropylene, other colours.
- Box Quantity: According to your request.

Part. 301 Threaded pin



D (mm)	L (mm)	M (mm)	Type 1 Code
14	100	M8	301 / 82751

D (mm)	L (mm)	M (mm)	Type 2 Code
12	117	M10	301 / 83304
12	217	M10	301 / 83871
14	117	M10	301 / 83305
16	117	M10	301 / 83306
16	121	M10	301 / 84109

MATERIALS: Pin made of stainless steel AISI 304.

FEATURES: Type 1: can be mounted both on guide rail clamps or on side guides;
Type 2: used for the mounting of Part. 289, 229, 230, 290, 204, 205.

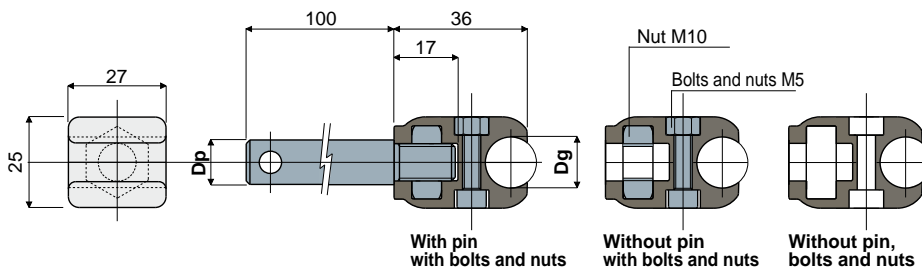
BOX QUANTITY: 24 pieces.

ON REQUEST:

- Pins: In various lengths.
- Box Quantity: According to your request.

Guide rail clamps

Guide rail clamp Part. 204 (for round rails)



Dp Pin diameter (mm)	Dg Rail diameter (mm)	With pin with bolts and nuts	
		Code	
12	8	204 / 80798	
	10	204 / 80799	
	12	204 / 80800	
	14	204 / 80801	
14	8	204 / 80802	
	10	204 / 80803	
	12	204 / 80804	
	14	204 / 80805	
16	8	204 / 80806	
	10	204 / 80807	
	12	204 / 80808	
	14	204 / 80809	

Dg Rail diameter (mm)	Without pin with bolts and nuts	
	Code	
8	204 / 80810	
10	204 / 80811	
12	204 / 80812	
14	204 / 80813	

Dg Rail diameter (mm)	Without pin, bolts and nuts	
	Code	
8	204 / 80978	
10	204 / 80979	
12	204 / 80980	
14	204 / 80981	

MATERIALS: Clamp made of reinforced polyamide black colour; pin, bolts and nuts made of stainless steel AISI 304.

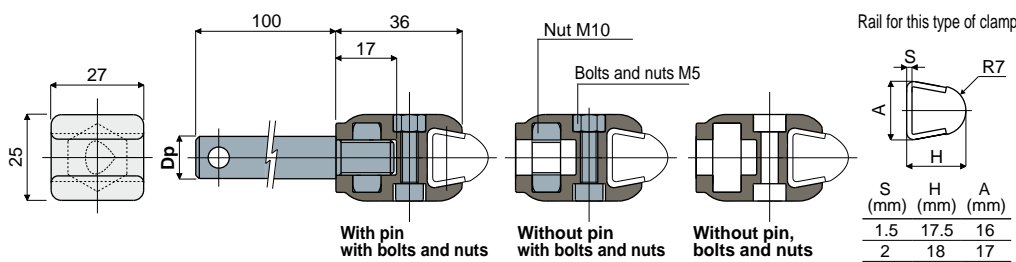
FEATURES: Supplied with or without support pin and with or without bolts and nuts.

BOX QUANTITY: 24 pieces.

ON REQUEST:

- Clamps: In reinforced polypropylene, other colours.
- Box Quantity: According to your request.

Guide rail clamp Part. 205 (for trapezoidal rails)



Dp Pin diameter (mm)	With pin with bolts and nuts		Without pin with bolts and nuts		Without pin, bolts and nuts	
	Code		Code		Code	
12	205 / 80814					
14	205 / 80815		205 / 80817		205 / 80982	
16	205 / 80816					

MATERIALS: Clamp made of reinforced polyamide black colour; pin, bolts and nuts made of stainless steel AISI 304.

FEATURES: Supplied with or without support pin and with or without bolts and nuts. With this item it is possible to use thickness 1,5 and 2 mm guides: Part.354, 377, 419, 418, 420, 353.

BOX QUANTITY: 24 pieces.

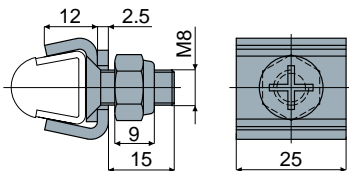
ON REQUEST:

- Clamps: In reinforced polypropylene, other colours.
- Box Quantity: According to your request.

Guide rail clamps

Part. 412 Guide rail clamp

NEW



Code
412 / 84487

MATERIALS: Clamp, bolts and nuts made of stainless steel AISI 304.

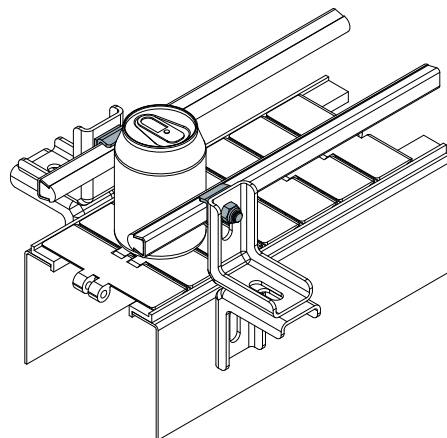
FEATURES: With this item it is possible to use thickness 1,5 and 2 mm guides:
Part.354, 377, 419, 418, 420, 353.

BOX QUANTITY: 24 pieces.

ON REQUEST:

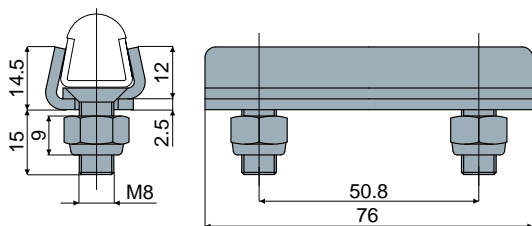
- Box Quantity: According to your request.
- Assembly of: Bolts and nuts.

Example of application



Part. 413 Guide rail clamp (for connection)

NEW



Code
413 / 84488

MATERIALS: Clamp, bolts and nuts made of stainless steel AISI 304.

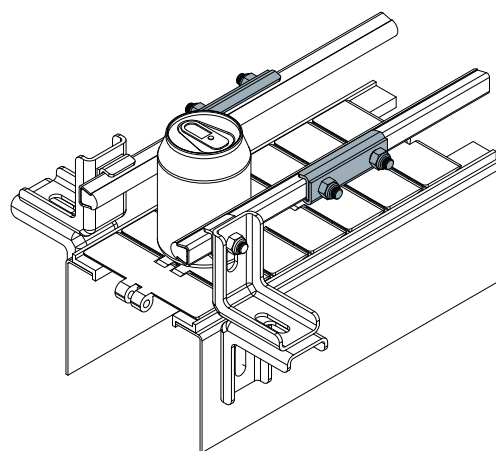
FEATURES: With this item it is possible to use thickness 1,5 and 2 mm guides:
Part.354, 377, 419, 418, 420, 353.

BOX QUANTITY: 24 pieces.

ON REQUEST:

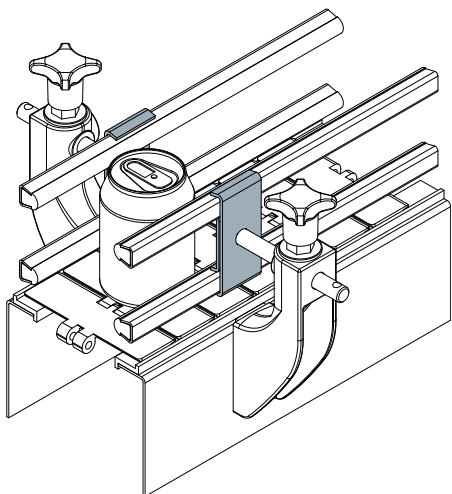
- Box Quantity: According to your request.
- Assembly of: Bolts and nuts.

Example of application



Guide rail clamps

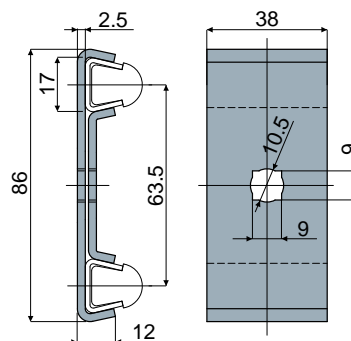
Example of application



Guide rail clamp
(double)

Part. **410**

NEW



Code
410 / 84485

MATERIALS: Clamp made of stainless steel AISI 304.

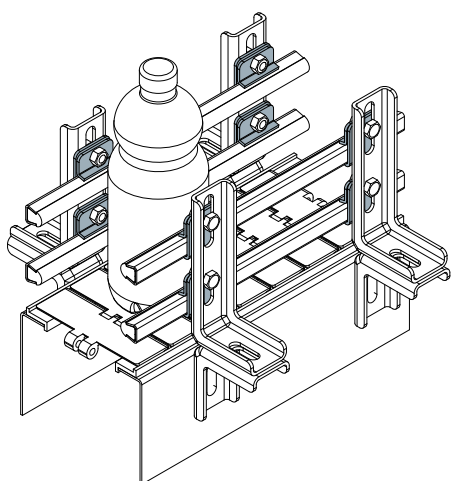
FEATURES: With this item it is possible to use thickness 1,5 and 2 mm guides: Part.354, 377, 419, 418, 420, 353.

BOX QUANTITY: 24 pieces.

ON REQUEST:

- Box Quantity: According to your request.

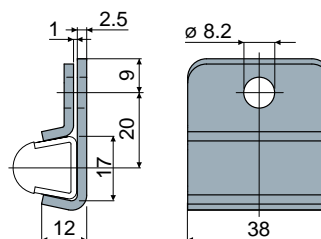
Example of application



Guide rail clamp

Part. **411**

NEW



Code
411 / 84486

MATERIALS: Clamp made of stainless steel AISI 304.

FEATURES: With this item it is possible to use thickness 1,5 and 2 mm guides: Part.354, 377, 419, 418, 420, 353.

BOX QUANTITY: 24 pieces.

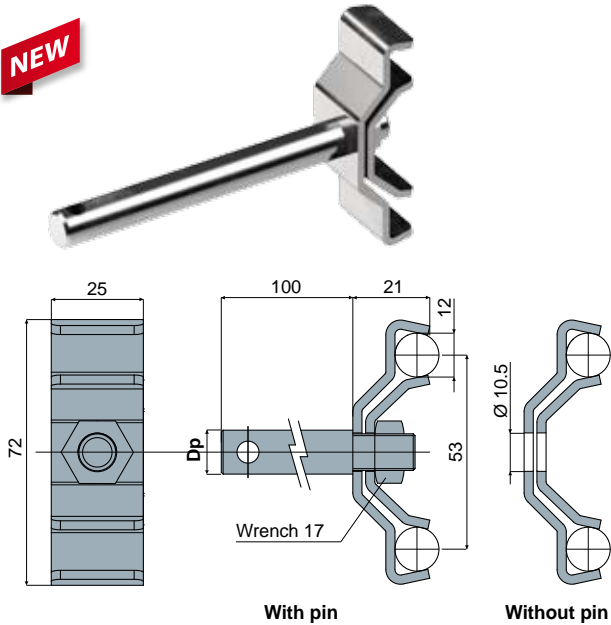
ON REQUEST:

- Box Quantity: According to your request.

Guide rail clamps

Part. 405 Guide rail clamp (for round rails)

NEW



Dp Pin diameter (mm)	With pin Code	Without pin Code
12	405 / 84327	
14	405 / 84442	405 / 85101
16	405 / 84443	

MATERIALS: Clamp, mounting plate, nut and threaded pin made of stainless steel AISI 304.

FEATURES: Supplied with or without pin.

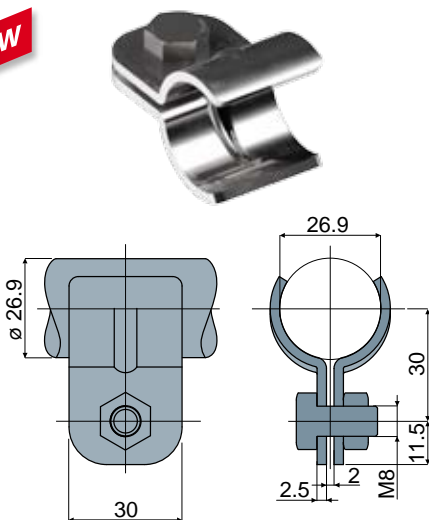
BOX QUANTITY: 24 pieces.

ON REQUEST:

- Box Quantity: According to your request.
- Assembly of: Bolts and nuts.

Part. 424 Guide rail clamp

NEW



Code
424 / 84961

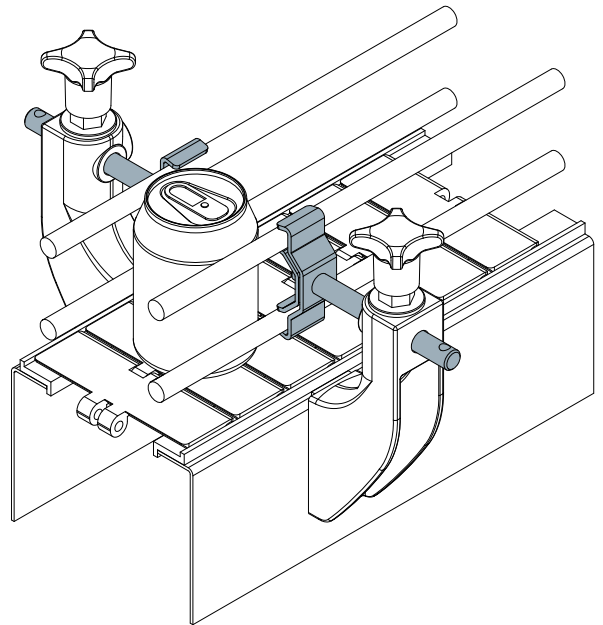
MATERIALS: Clamp, bolts and nuts in stainless steel AISI 304.

BOX QUANTITY: 24 pieces.

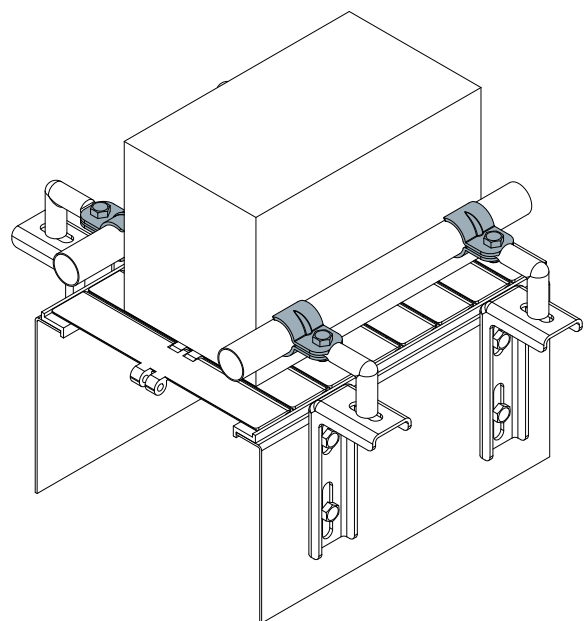
ON REQUEST:

- Box quantities: According to your request.
- Assembly of: Bolts and nuts.

Example of application

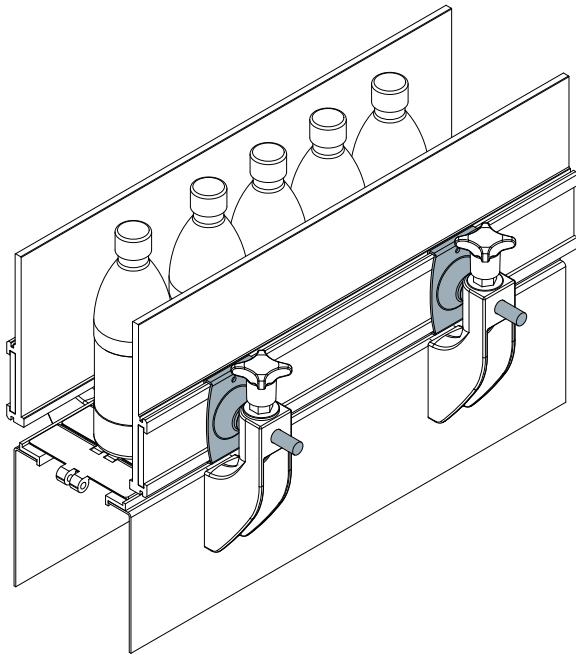


Example of application

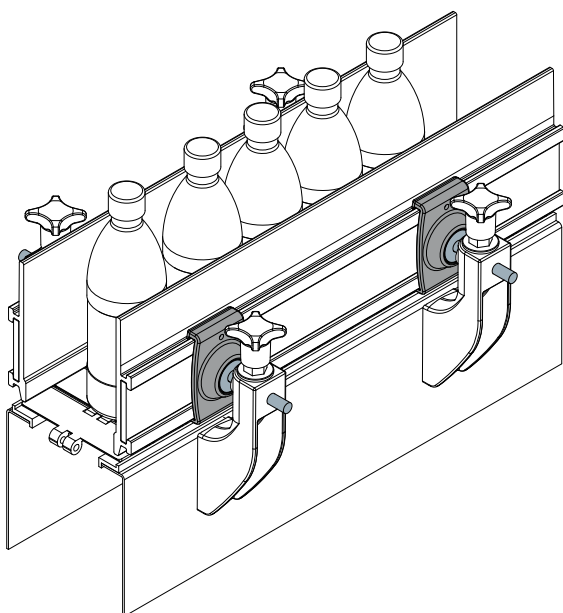


Guide rail clamps

Example of application



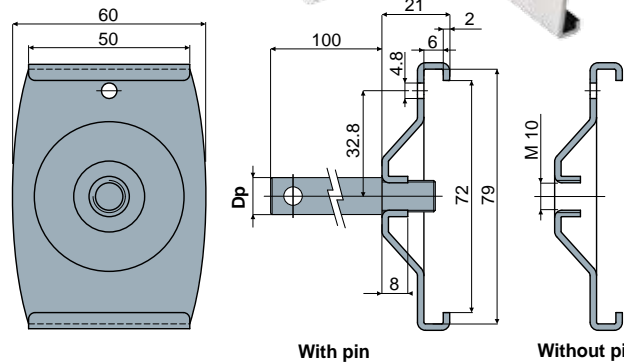
Example of application



Guide rail clamp

Part. **427**

NEW



Dp Pin diameter (mm)	With pin Code	Without pin Code
12	427 / 85097	
14	427 / 85098	427 / 85009
16	427 / 85099	

MATERIALS: Clamp and pin in stainless steel AISI 304.

FEATURES: Supplied with or without pin. To be used with side guides part. 425, 426.

BOX QUANTITY: 24 pieces.

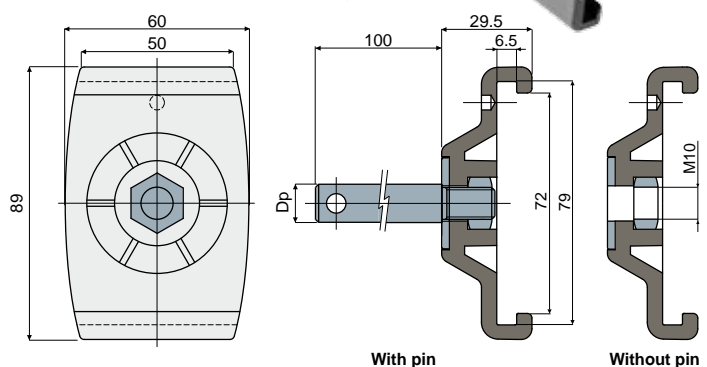
ON REQUEST:

- Assembling of: Pins.
- Box quantities: According to your request.

Guide rail clamp

Part. **434**

NEW



Dp Pin diameter (mm)	With pin Code	Without pin Code
12	434 / 85093	
14	434 / 85094	434 / 85100
16	434 / 85095	

MATERIALS: Clamp is made of reinforced polyamide; threaded pin, washer and nut in stainless steel AISI 304.

FEATURES: Supplied with or without pin. To be used with side guides part. 425, 426.

BOX QUANTITY: 8 pieces.

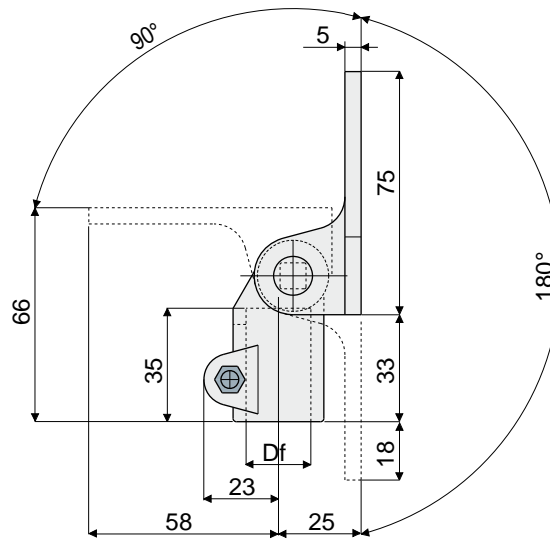
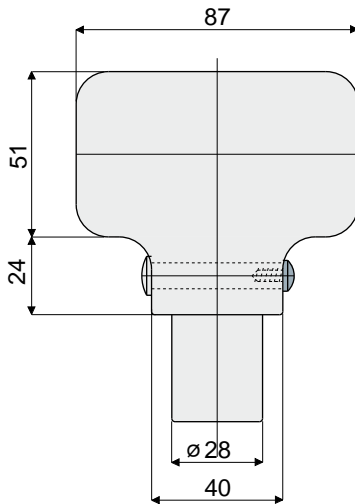
ON REQUEST:

- Assembling of: Pins, washers and nuts.
- Box quantities: According to your request.

Clamps

Part. **206**

Clamp support for photocells
(for photocells and reflectors)



Df Bore for pin of (mm)	Code
12	206 / 82010 (can be used also with square pins 10x10)
14	206 / 80818
15	206 / 80819
16	206 / 80820
18	206 / 80821
20	206 / 80822

MATERIALS: Clamp made of reinforced polyamide black colour; bolts and nuts made of stainless steel AISI 304.

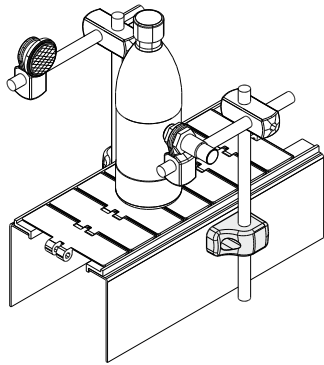
FEATURES: Possibility of assembly in various positions.

BOX QUANTITY: 24 pieces.

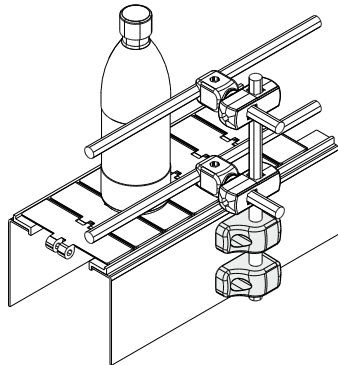
ON REQUEST:

- Clamps: In reinforced polypropylene, other colours.
- Box Quantity: According to your request.

Clamps



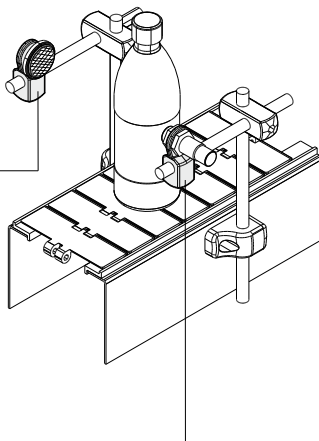
With blocking pin
(Suitable to support photocells)



Without blocking pin
(Suitable to support guide)

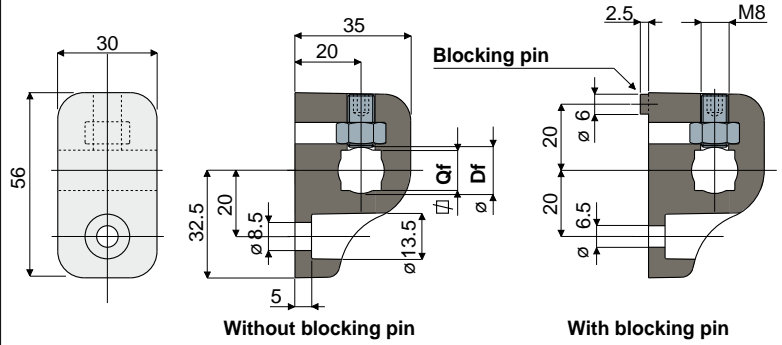
Example of application

Type 2 (For reflectors)



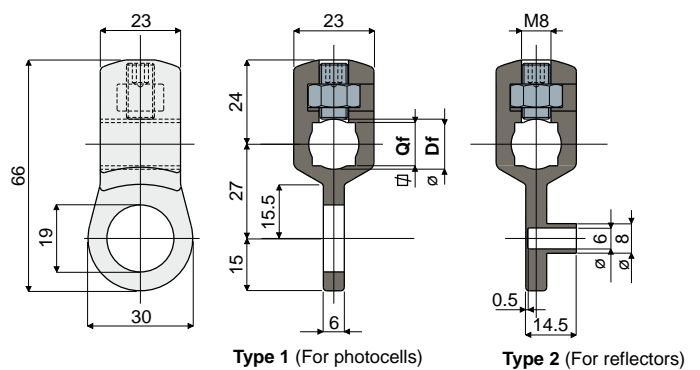
Type 1 (For photocells)

Clamp Part. 237
(to support rails and photocells)



Bore for pin of		Without blocking pin	With blocking pin
Df round (mm)	Qf square (mm)	Code	Code
10	8	237 / 80958	237 / 80961
12	10	237 / 80959	237 / 80962
14	12	237 / 80960	237 / 80963

Clamp support for photocells Part. 240
(for photocells and reflectors)



Bore for pin of		Type 1 (for photocells)	Type 2 (for reflectors)
Df round (mm)	Qf square (mm)	Code	Code
10	8	240 / 80996	240 / 80997
12	10	240 / 80998	240 / 80999
14	12	240 / 81000	240 / 81001

MATERIALS: Clamp made of reinforced polyamide black colour; screw and nuts made of stainless steel AISI 304.

FEATURES: This part can be used with round and square pins either.

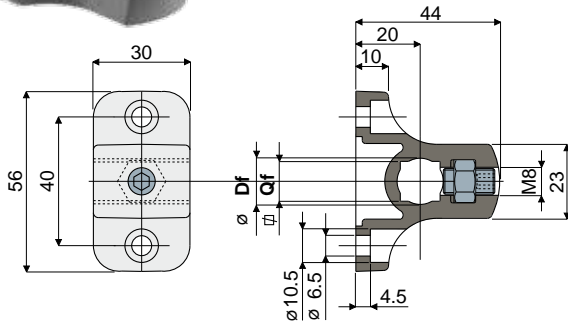
BOX QUANTITY: 24 pieces.

ON REQUEST:

- Clamps: In reinforced polypropylene, other colours.
- Box Quantity: According to your request.

Clamps

Part. 238 "T" clamp (to support rails and photocells)



Bore for pin of		Code
Df round (mm)	Qf square (mm)	
10	8	238 / 80985
12	10	238 / 80986
14	12	238 / 80987

MATERIALS: Clamp made of reinforced polyamide black colour; screw and nuts made of stainless steel AISI 304.

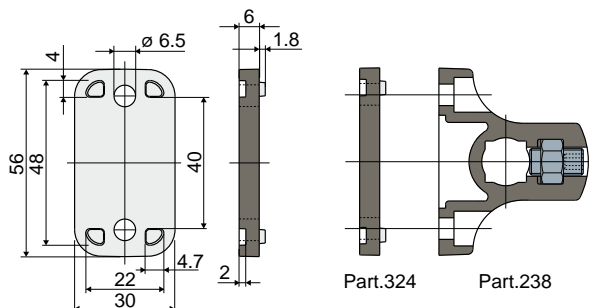
FEATURES: This part can be used with round and square pins either.

BOX QUANTITY: 24 pieces.

ON REQUEST:

- Clamps: With different bores sizes, in reinforced polypropylene, other colours.
- Box Quantity: According to your request.

Part. 324 Spacer for clamp (for "T" clamp Part. 238)



Code
324 / 82971

MATERIALS: Spacer made of reinforced polyamide black colour.

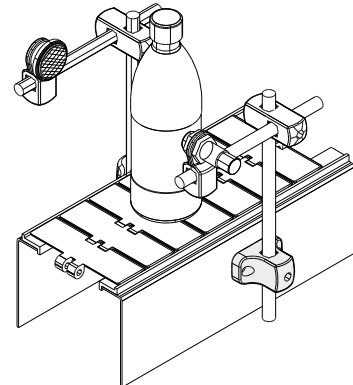
FEATURES: Accessory to be applied to "T" clamp Part.238.

BOX QUANTITY: 24 pieces.

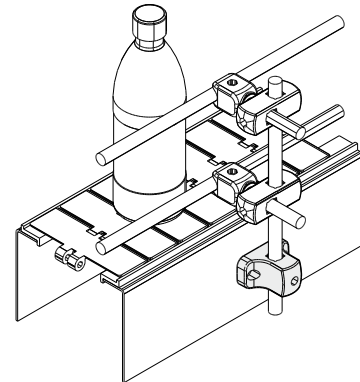
ON REQUEST:

- Spacers: In reinforced polypropylene, other colours.
- Box Quantity: According to your request.

Example of applications

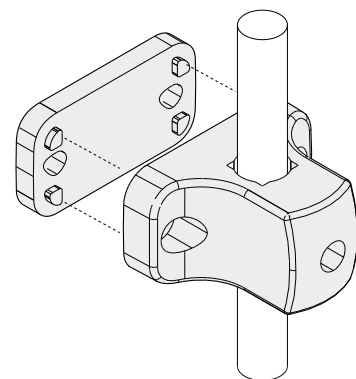


To support photocells



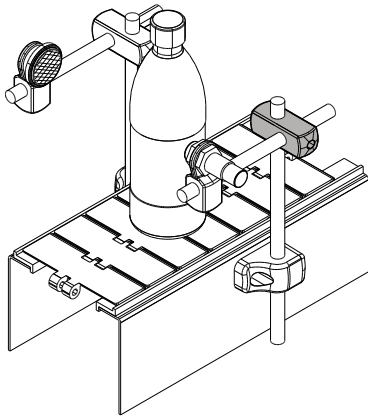
To support guide

Example of application

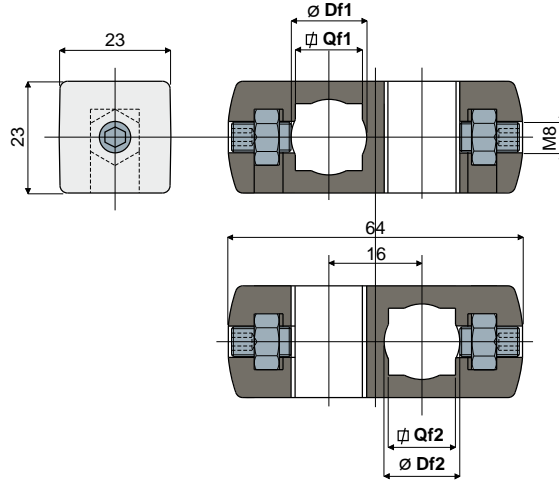


Clamps

Example of application



Cross clamp Part. 239



Bore for pin of		Bore for pin of		Code
Df1 round (mm)	Qf1 square (mm)	Df2 round (mm)	Qf2 square (mm)	
10	8	10	8	239 / 80993
12	10	12	10	239 / 80994
14	12	14	12	239 / 80995

MATERIALS: Clamp made of reinforced polyamide black colour; bolts and nuts made of stainless steel AISI 304.

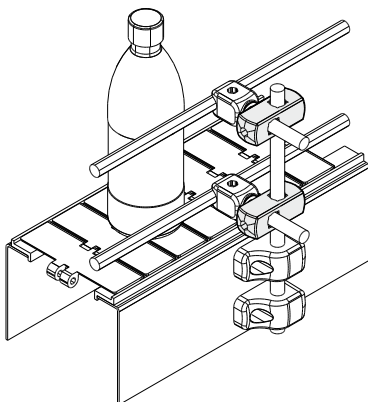
FEATURES: This part can be used with round and square pins either.

BOX QUANTITY: 24 pieces.

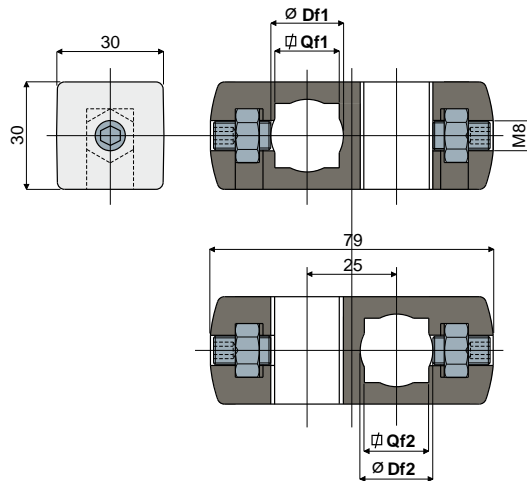
ON REQUEST:

- Clamps: With different bores sizes, in reinforced polypropylene, other colours.
- Box Quantity: According to your request.

Example of application



Cross clamp Part. 241



Bore for pin of		Bore for pin of		Code
Df1 round (mm)	Qf1 square (mm)	Df2 round (mm)	Qf2 square (mm)	
14	12	14	12	241 / 80988
15	-	15	-	241 / 80989
16	-	16	-	241 / 80990
18	-	18	-	241 / 80991
20	-	20	-	241 / 80992

MATERIALS: Clamp made of reinforced polyamide black colour; bolts and nuts made of stainless steel AISI 304.

FEATURES: This part can be used with round and square pins either, only in the version Df1 14.

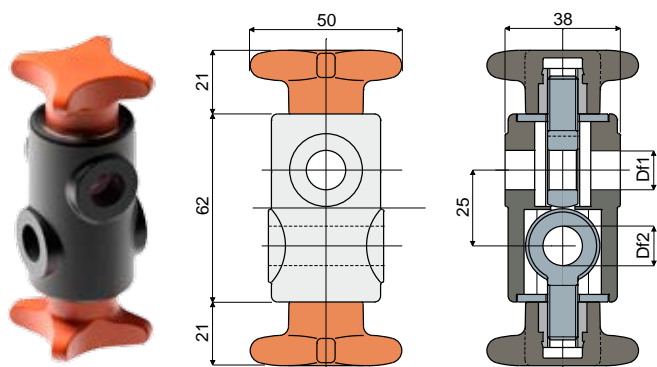
BOX QUANTITY: 24 pieces.

ON REQUEST:

- Clamps: With different bores sizes, in reinforced polypropylene, other colours.
- Box Quantity: According to your request.

Clamps

Part. 297 Cross block



Df1 Bore for pin of (mm)	Df2 Bore for pin of (mm)	Code
12	12	297 / 82658

MATERIALS: Housing in reinforced polyamide black colour and knob in reinforced polyamide orange colour; eyebolts in stainless steel AISI 304; threaded insert in nickel plated brass.

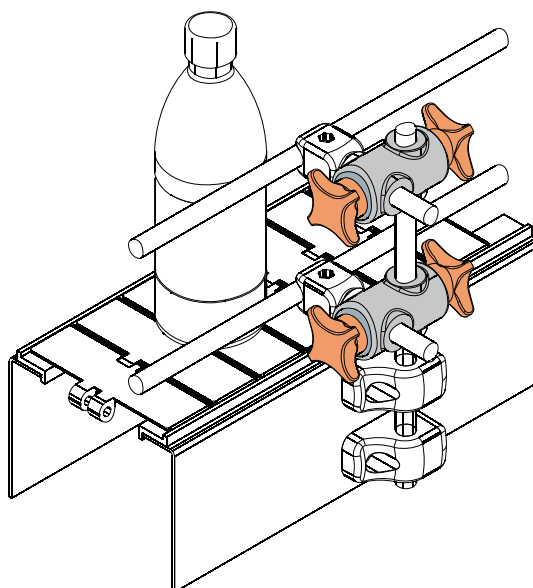
FEATURES: To be used to support the rail-holder pins.

BOX QUANTITY: 24 pieces.

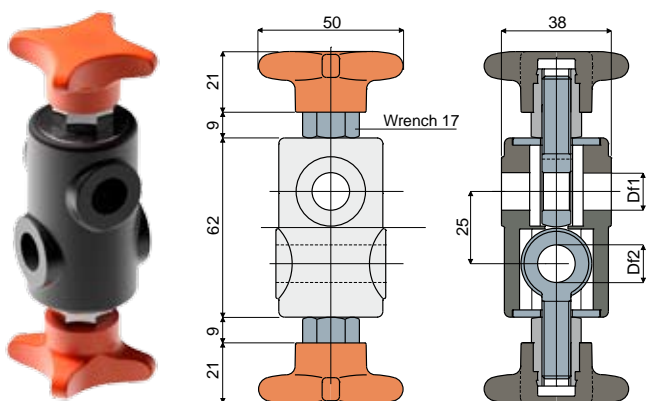
ON REQUEST:

- Housings and Knobs: in reinforced polypropylene, other colours.
- Box Quantity: According to your request.

Example of application



Part. 312 Cross block



Df1 Bore for pin of (mm)	Df2 Bore for pin of (mm)	Code
12	12	312 / 82845
14	14	312 / 82846
16	16	312 / 82847

MATERIALS: Housing in reinforced polyamide black colour and knob in reinforced polyamide orange colour; eyebolts in stainless steel AISI 304; threaded insert in nickel plated brass.

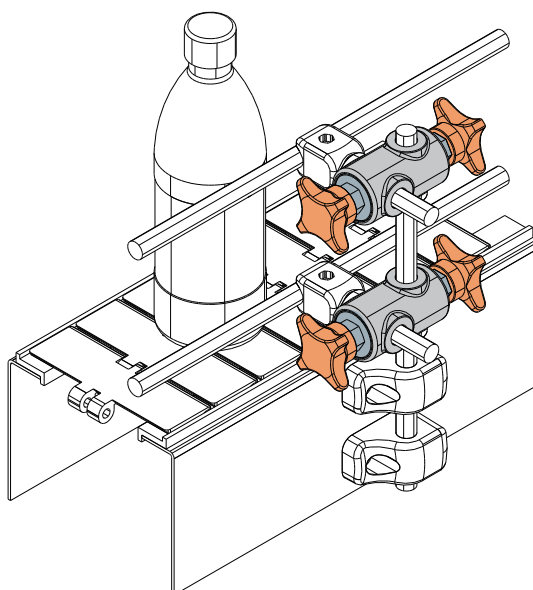
FEATURES: To be used to support the rail-holder pins.

BOX QUANTITY: 24 pieces.

ON REQUEST:

- Housings and Knobs: in reinforced polypropylene, other colours.
- Box Quantity: According to your request.

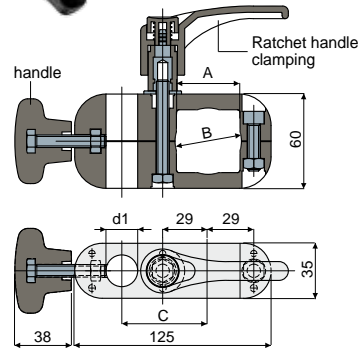
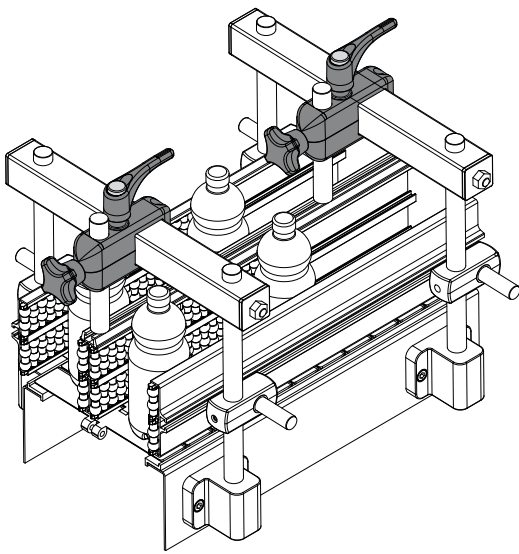
Example of application



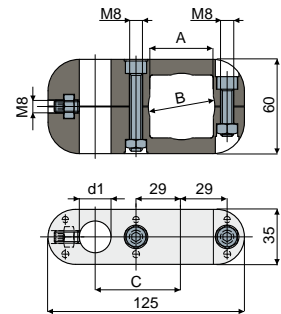
Clamps

Cross clamp for central roller guides support

Example of application



Type 1



Type 2

Part. **435**

Square tube	Round tube	pin \varnothing		Type 1	Type 2
A	B	C	d1	Code	Code
40	42,4	58	15-16	435 / 85166	435 / 85167
		56	20	435 / 85168	435 / 85169

MATERIALS: Clamp and handles are made of reinforced polyamide black colour; nuts, screws and washer in stainless steel AISI 304.

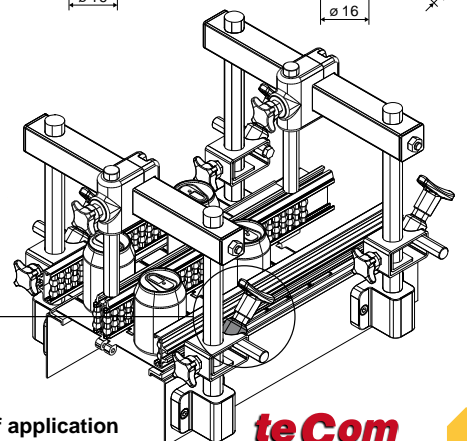
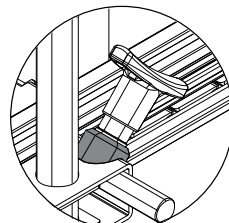
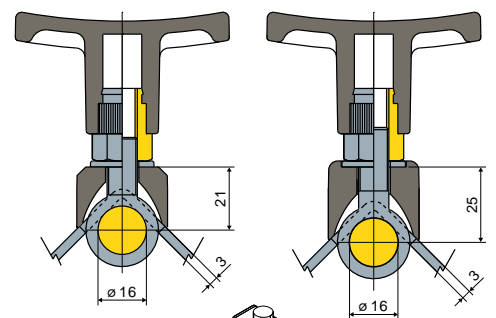
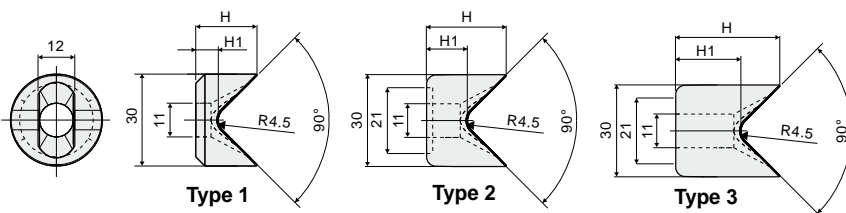
FEATURES: They are used to support the central rollers side guides.

BOX QUANTITY: 8 pieces.

ON REQUEST:

- Assembling of: Handles, bolts and nuts.
- Box quantities: According to your request.

Bushing for eyebolt Part. **333**



H	H1	Type 1
(mm)	(mm)	Code
20	7,3	333 / 83117
H	H1	Type 2
(mm)	(mm)	Code
26	13,3	333 / 83115
H	H1	Type 3
(mm)	(mm)	Code
34	21,3	333 / 84025

MATERIALS: Bushing made of reinforced polyamide black colour.

FEATURES: To be used with the eyebolts to block the pins holding the transport guides.

BOX QUANTITY: 24 pieces.

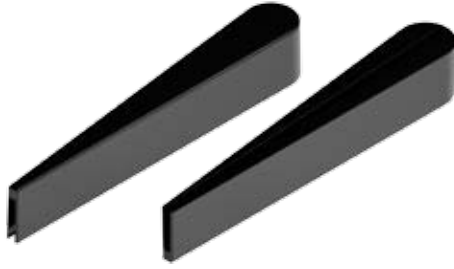
ON REQUEST:

- Bushings: With different heights, in reinforced polypropylene, other colours.
- Box Quantity: According to your request.

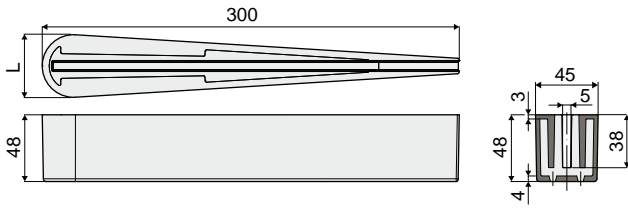
Example of application

Shoes

Part. 428 Product guide shoe



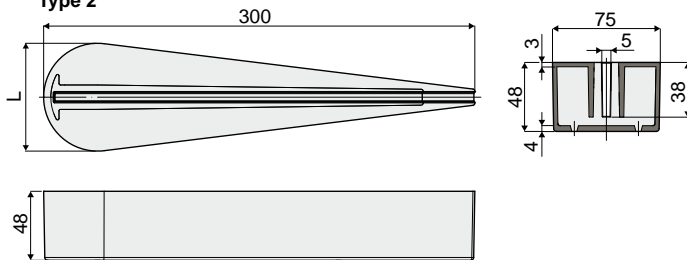
Type 1



L (mm)	Type 1 Code
45	428 / 85063



Type 2



L (mm)	Type 2 Code
75	428 / 85064

MATERIALS: Internal part made of reinforced polypropylene, black color; external covering in polyethylene, black color.

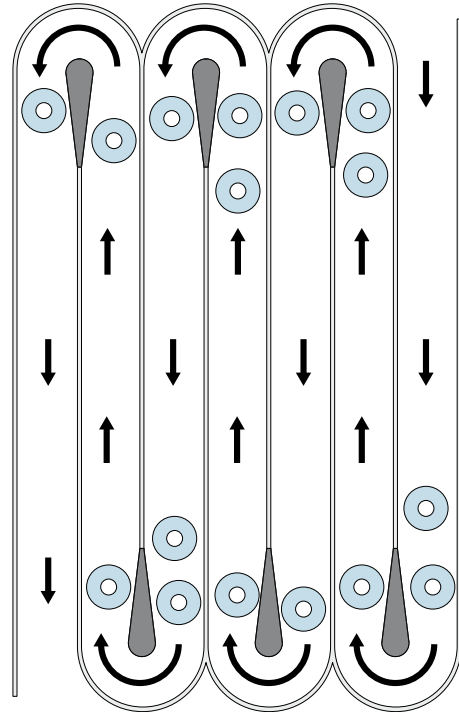
FEATURES: To be used as product guide in the conveyor systems.

BOX QUANTITY: 12 pieces.

ON REQUEST:

- Box quantities: According to your request.

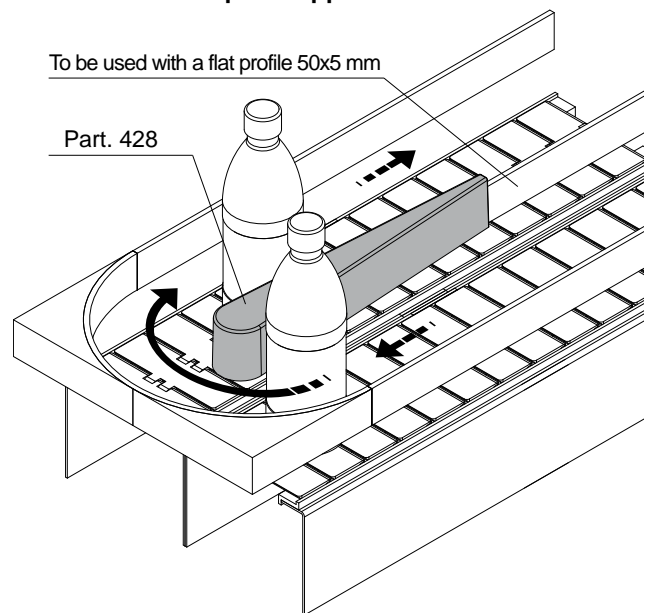
Example of application



Example of application

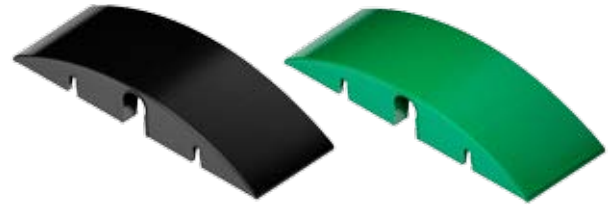
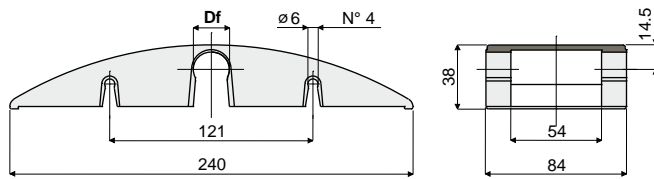
To be used with a flat profile 50x5 mm

Part. 428



Shoes

Self-adjusting sliding shoe for chain return Part. 267



Df Bore for pin of (mm)	Polyamide (black colour)	Polyethylene (green colour)
	Code	Code
18	267 / 82038	267 / 82812
20	267 / 82039	267 / 82813

MATERIALS: Sliding shoe is made of polyamide black colour or of polyethylene green colour.

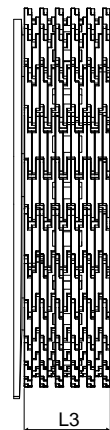
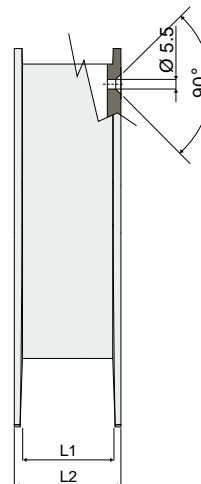
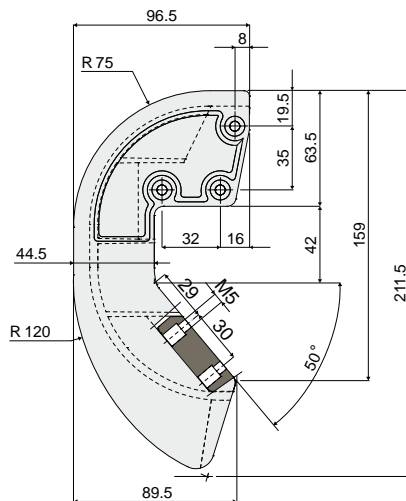
FEATURES: To be assembled in the chain return near to the sprocket. Snap-on assembly.

BOX QUANTITY: 12 pieces.

ON REQUEST:

- Sliding shoes: Other bore sizes, and colours.
- Box Quantity: According to your request.

Shoe for chain return Part. 359 (for raised rib chains)



Code	L1	L2	L3 (Chain width)
359 / 83504	41	50	38.5
359 / 83503	49	58.5	47

MATERIALS: Shoe in black polyethylene; screws in stainless steel AISI 304.

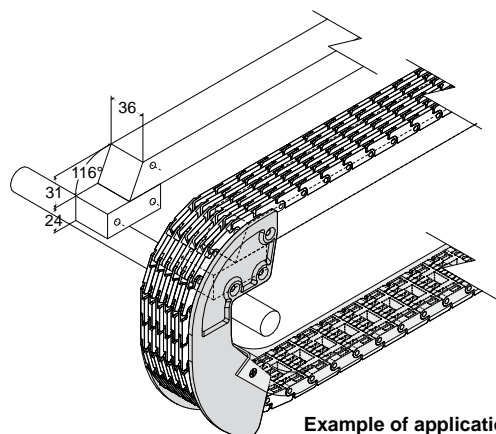
FEATURES: Supplied complete with screws.

To be used in the idler part of the conveyor.

BOX QUANTITY: 8 pieces.

ON REQUEST:

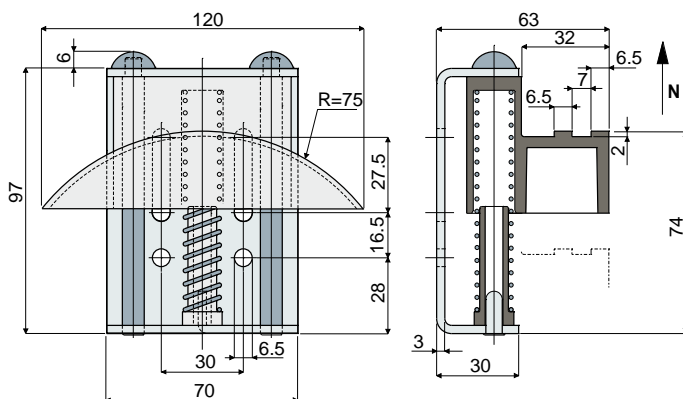
- Shoes: Other colours.
- Box Quantity: According to your request.



Example of application

Chain tensioners

Part. 277 Chain tensioner with sliding shoe (for roller chain type DIN 8187 08-B1 and 08-B2)



Code	Min. tension load (N)	Max. tension load (N)
277 / 82068	60	110

MATERIALS: External part, pin and spring are made of zinc plated steel; sliding shoe and spring guide are made of polyamide black colour.

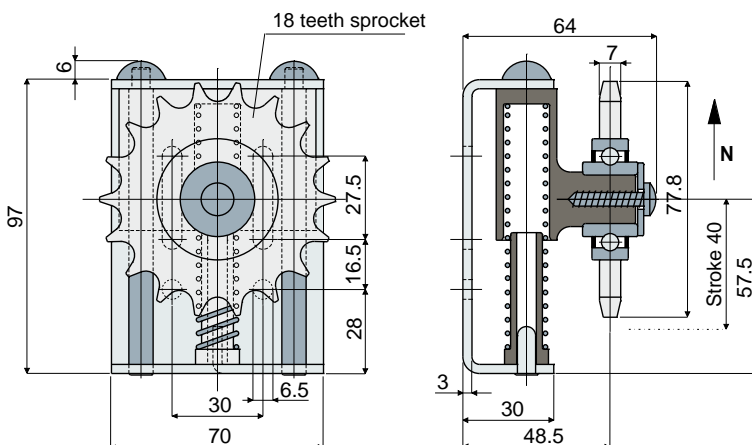
FEATURES: To be assembled in the transmissions with roller chain to stretch it.

BOX QUANTITY: 12 pieces.

ON REQUEST:

- Sliding shoes: Different shapes for different chains, other materials and colours.
- Box Quantity: According to your request.

Part. 278 Chain tensioner with sprocket (for roller chain type DIN 8187 08-B1)



Code	Min. tension load (N)	Max. tension load (N)
278 / 82069	60	110

MATERIALS: External part, sprocket, pins and spring are made of zinc plated steel; cursor and spring guide are made of polyamide black colour.

FEATURES: To be assembled in the transmissions with roller chain to stretch it.

BOX QUANTITY: 12 pieces.

ON REQUEST:

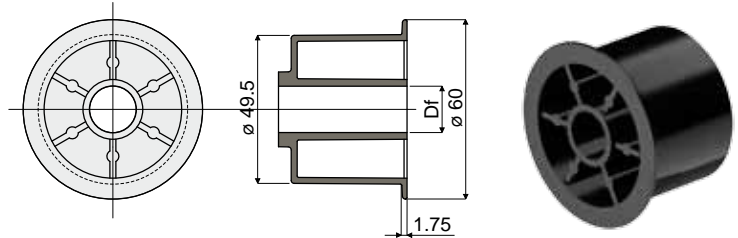
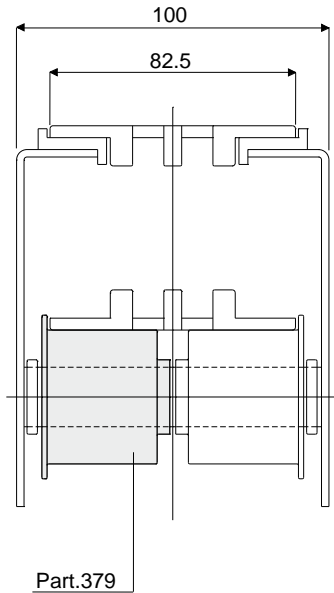
- Sprockets: With other number of teeth.
- Box Quantity: According to your request.

Return rollers

Roller for chain return (with flange)

Part. **379**

Example of application



Df Bore for pin of (mm)	Code
15	379 / 84069
20	379 / 84070

MATERIALS: Roller made of reinforced polyamide, black color.

FEATURES: to be assembled in the chain return.

BOX QUANTITY: 96 pieces.

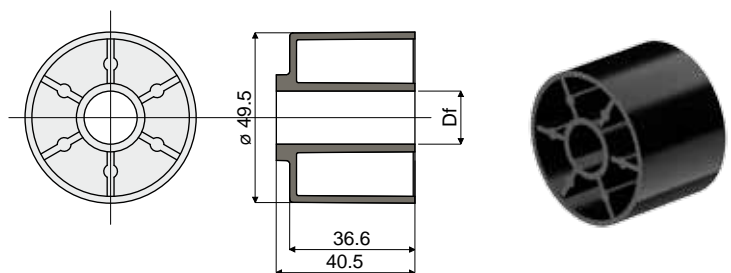
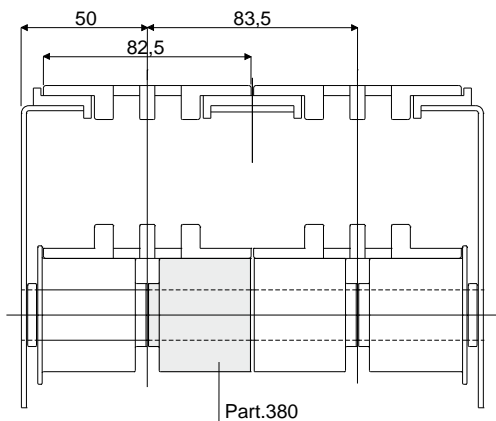
ON REQUEST:

- Rollers: with special bores, in different colors.
- Box quantities: according to your request.

Roller for chain return (without flange)

Part. **380**

Example of application



Df Bore for pin of (mm)	Code
15	380 / 84071
20	380 / 84072

MATERIALS: Roller made of reinforced polyamide, black color.

FEATURES: To be assembled in the chain return.

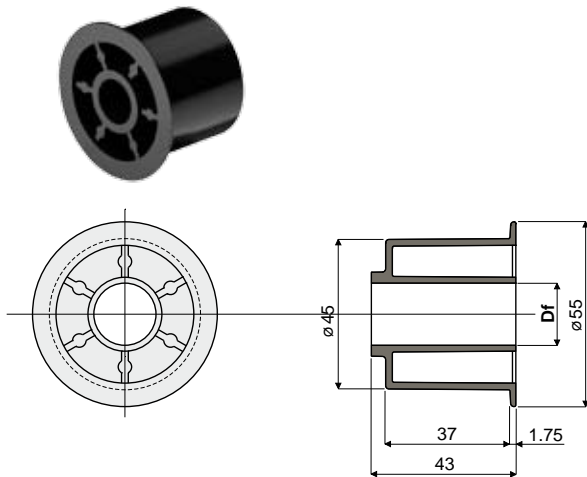
BOX QUANTITY: 96 pieces.

ON REQUEST:

- Rollers: With special bores, in different colors.
- Box quantities: According to your request.

Return rollers

Part. 270 Roller for chain return (with flange)



Df Bore for pin of (mm)	Code
15	270 / 82042
20	270 / 82043

MATERIALS: Roller made of polyamide black colour.

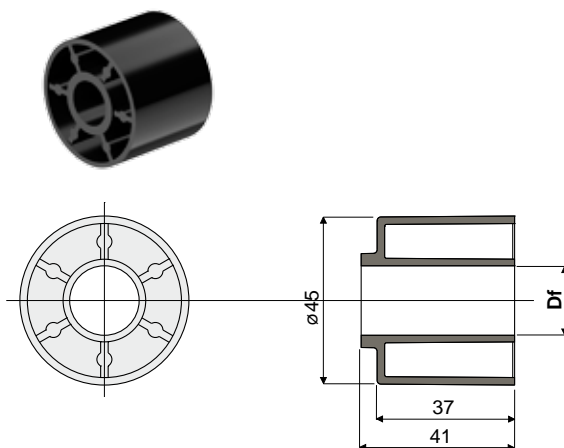
FEATURES: To be assembled in the chain return.

BOX QUANTITY: 96 pieces.

ON REQUEST:

- Rollers: Special bores, other colours.
- Box Quantity: According to your request.

Part. 271 Roller for chain return (without flange)



Df Bore for pin of (mm)	Code
15	271 / 82044
20	271 / 82045

MATERIALS: Roller made of polyamide black colour.

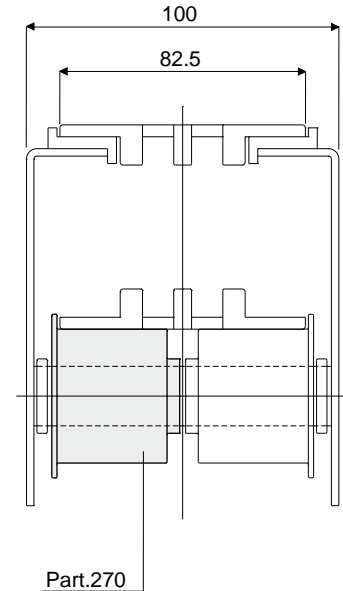
FEATURES: To be assembled in the chain return.

BOX QUANTITY: 96 pieces.

ON REQUEST:

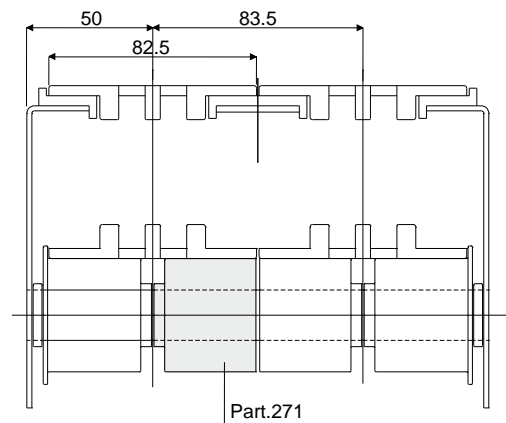
- Rollers: Special bores, other colours.
- Box Quantity: According to your request.

Example of application



Part.270

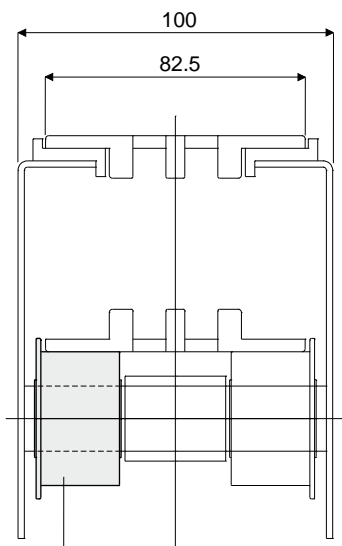
Example of application



Part.271

Return rollers

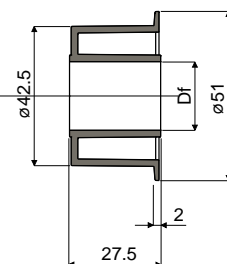
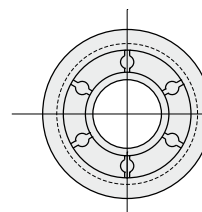
Example of application



Part.273

Roller for chain return (with flange)

Part. **273**



Df Bore for pin of (mm)	Code
12	273 / 82048
16	273 / 82049
18	273 / 82050
20	273 / 82051

MATERIALS: Roller made of polyamide black colour.

FEATURES: To be assembled in the chain return.

BOX QUANTITY: 96 pieces.

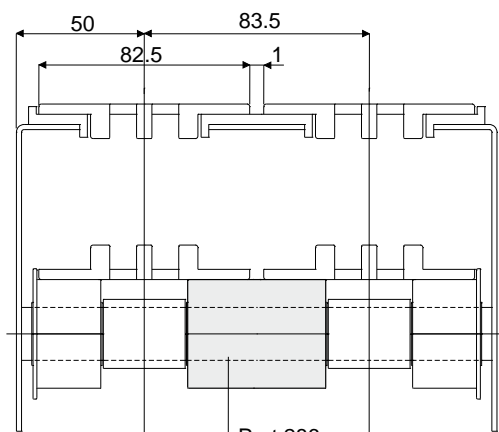
ON REQUEST:

- Rollers: Special bores, other colours.
- Box Quantity: According to your request.

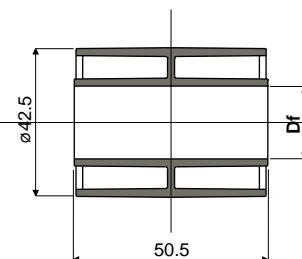
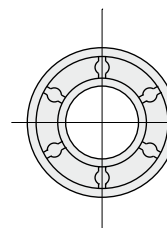
Double roller for chain return (without central flange)

Part. **286**

Example of application



Part.286



Df Bore for pin of (mm)	Code
12	286 / 82532
16	286 / 82533
18	286 / 82534
20	286 / 82535

MATERIALS: Roller made of polyamide black colour.

FEATURES: To be assembled in the chain return.

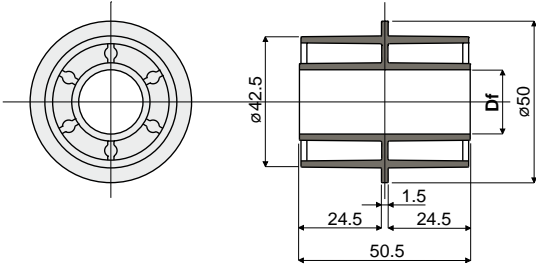
BOX QUANTITY: 96 pieces.

ON REQUEST:

- Rollers: Special bores, other colours.
- Box Quantity: According to your request.

Return rollers

Part. 287 Double roller for chain return (with central flange)



Df Bore for pin of (mm)	Code
12	287 / 82536
16	287 / 82537
18	287 / 82538
20	287 / 82539

MATERIALS: Roller made of polyamide black colour.

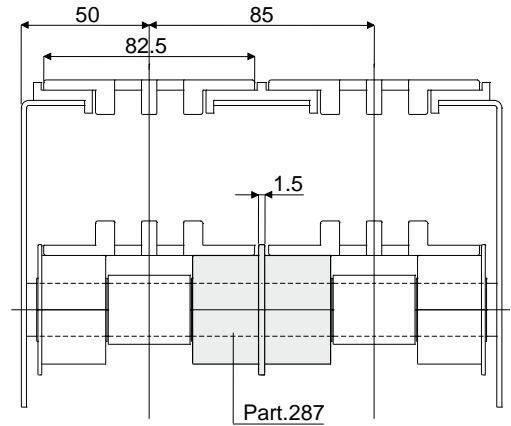
FEATURES: To be assembled in the chain return.

BOX QUANTITY: 96 pieces.

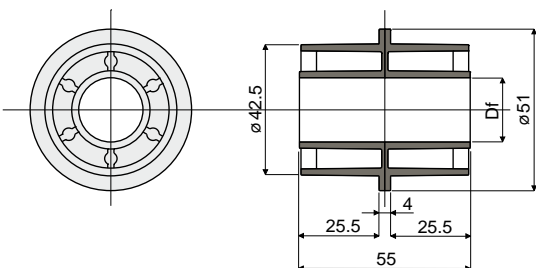
ON REQUEST:

- Rollers: Special bores, other colours.
- Box Quantity: According to your request.

Example of application



Part. 274 Double roller for chain return (with central flange)



Df Bore for pin of (mm)	Code
12	274 / 82052
16	274 / 82053
18	274 / 82054
20	274 / 82055

MATERIALS: Roller made of polyamide black colour.

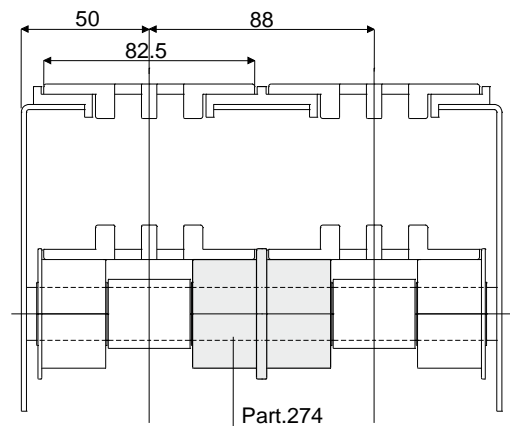
FEATURES: To be assembled in the chain return.

BOX QUANTITY: 96 pieces.

ON REQUEST:

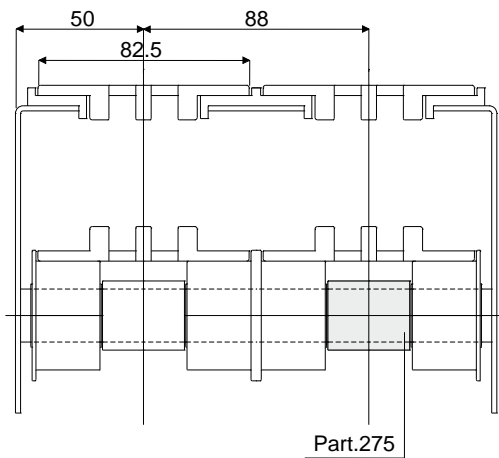
- Rollers: Special bores, other colours.
- Box Quantity: According to your request.

Example of application

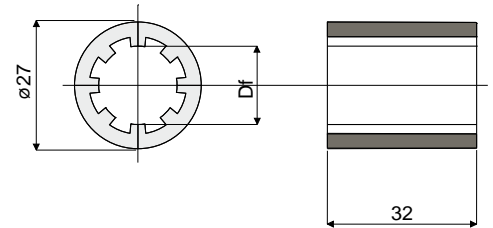


Return rollers

Example of application



Spacer for rollers for chain return Part. 275



Df Bore for pin of (mm)	Code
12	275 / 82056
16	275 / 82057
18	275 / 82058
20	275 / 82059

MATERIALS: Spacer made of polyamide black colour.

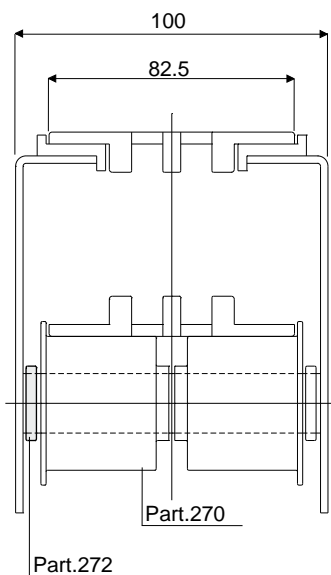
FEATURES: To be assembled in the chain return.

BOX QUANTITY: 96 pieces.

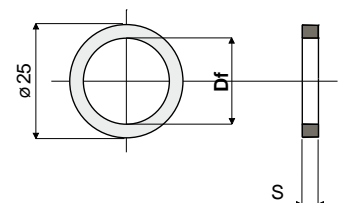
ON REQUEST:

- Spacers: Special bores, other colours.
- Box Quantity: According to your request.

Example of application



Spacer for rollers for chain return Part. 272



Df Bore for pin of (mm)	S	Code
15	3,5	272 / 82046
20	3,5	272 / 82047
20	5,0	272 / 85186

MATERIALS: Spacer made of polyamide black colour.

FEATURES: To be assembled in the chain return.

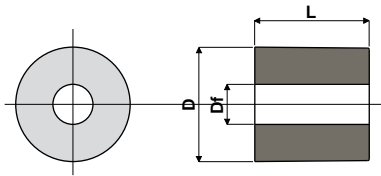
BOX QUANTITY: 96 pieces.

ON REQUEST:

- Spacers: Special bores, other colours.
- Box Quantity: According to your request.

Return rollers

Part. 302 Spacer for chain profiles



Df Bore diameter (mm)	D (mm)	L (mm)	Code
7	20	20	302 / 82797
7	20	27,5	302 / 82873

MATERIALS: Spacer made of reinforced polyamide black colour.

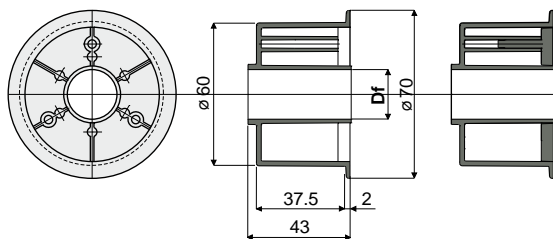
FEATURES: To be used as fixing spacer for chain profiles.

BOX QUANTITY: 96 pieces.

ON REQUEST:

- Spacers: With special bores and sizes.
- Box Quantity: According to your request.

Part. 250 Roller for chain return (with flange)



Without cap closure

With cap closure

Df Bore for pin of (mm)	Without cap closure	With cap closure
	Code	Code
15	250 / 82201	250 / 82219
16	250 / 82202	250 / 82220
18	250 / 82203	250 / 82221
20	250 / 82204	250 / 82222

MATERIALS: Roller made out of polyamide black colour; cap made out of polyamide grey colour.

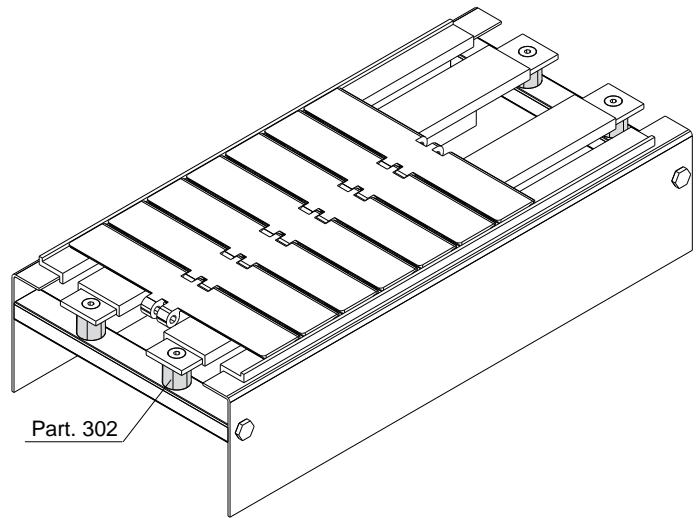
FEATURES: To be assembled in the chain return.

BOX QUANTITY: 96 pieces.

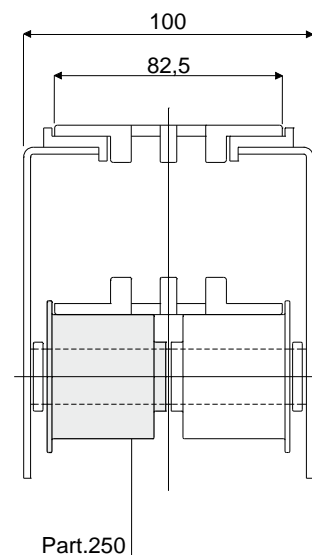
ON REQUEST:

- Rollers: Special bores, other colours.
- Box Quantity: According to your request.

Example of application

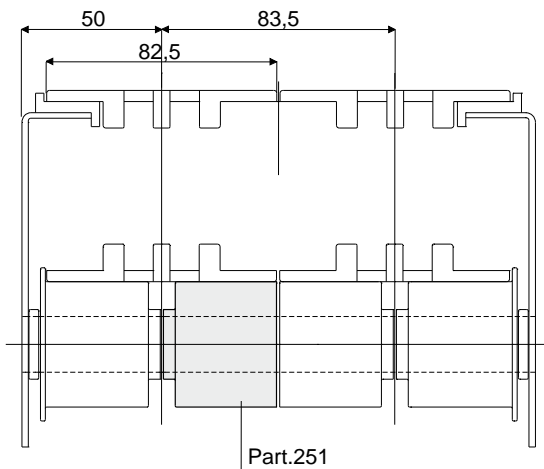


Example of application



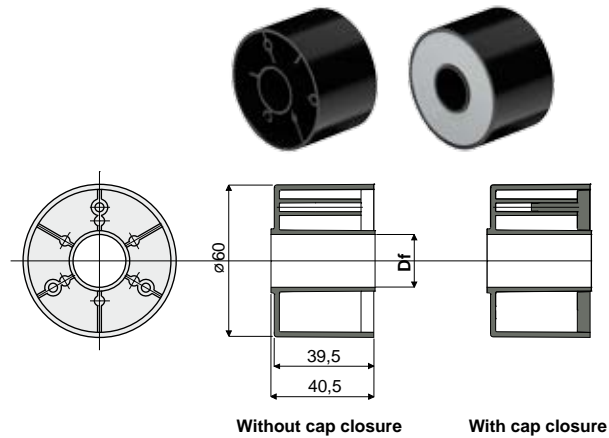
Return rollers

Example of application



Part.251

Roller for chain return (without flange) Part. 251



Df Bore for pin of (mm)	Without cap closure	With cap closure
	Code	Code
15	251 / 82205	251 / 82223
16	251 / 82206	251 / 82224
18	251 / 82207	251 / 82225
20	251 / 82208	251 / 82226

MATERIALS: Roller made out of polyamide black colour; cap made out of polyamide grey colour.

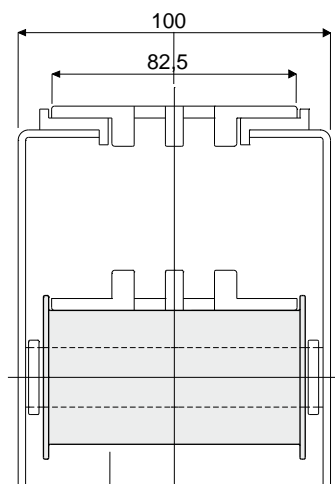
FEATURES: To be assembled in the chain return.

BOX QUANTITY: 96 pieces.

ON REQUEST:

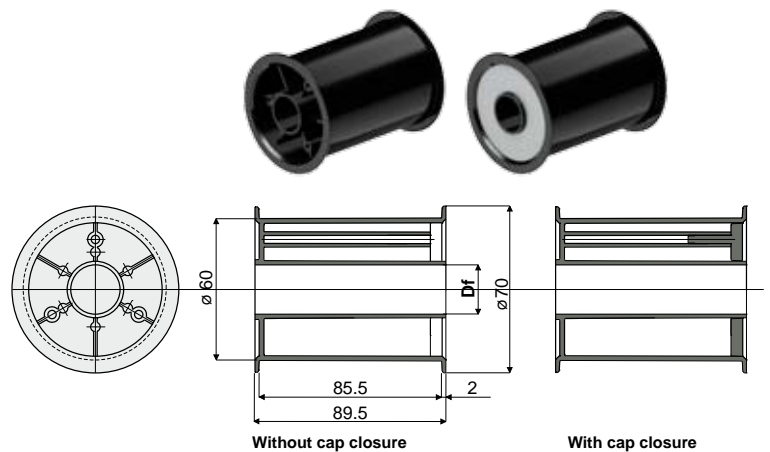
- Rollers: Special bores, other colours.
- Box Quantity: According to your request.

Example of application



Part.296

Roller for chain return (with double flange) Part. 296



Df Bore for pin of (mm)	Without cap closure	With cap closure
	Code	Code
12	296 / 82611	296 / 82612
14	296 / 82613	296 / 82614
15	296 / 82615	296 / 82616
16	296 / 82617	296 / 82618
18	296 / 82619	296 / 82620
20	296 / 82621	296 / 82622

MATERIALS: Roller made out of polyamide black colour; cap made out of polyamide grey colour.

FEATURES: To be assembled in the chain return.

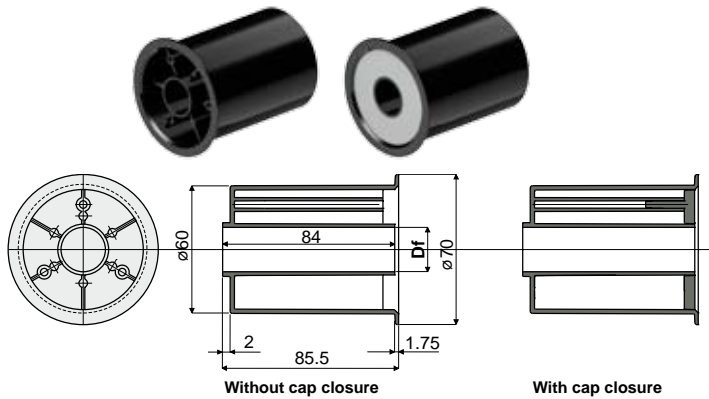
BOX QUANTITY: 48 pieces.

ON REQUEST:

- Rollers: Special bores, other colours.
- Box Quantity: According to your request.

Return rollers

Part. 252 Roller for chain return (with flange)



Df Bore for pin of (mm)	Without cap closure		With cap closure	
	Code		Code	
12	252 / 82624		252 / 82625	
14	252 / 82258		252 / 82259	
15	252 / 82227		252 / 82231	
16	252 / 82228		252 / 82232	
18	252 / 82229		252 / 82233	
20	252 / 82230		252 / 82234	
25	252 / 83307		-	
30	252 / 83309		-	

MATERIALS: Roller made out of polyamide black colour; cap made out of polyamide grey colour.

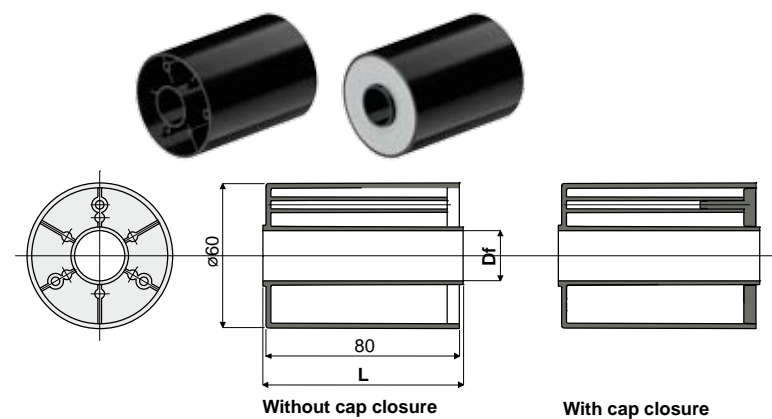
FEATURES: To be assembled in the chain return.

BOX QUANTITY: 48 pieces.

ON REQUEST:

- Rollers: Special bores, other colours.
- Box Quantity: According to your request.

Part. 253 Roller for chain return (without flange)



Df Bore for pin of (mm)	Without cap closure				With cap closure			
	L = 82 mm		L = 84 mm		L = 82 mm		L = 84 mm	
	Code		Code		Code		Code	
12	253 / 82626	253 / 82627	253 / 82628	253 / 82629				
14	253 / 82260	253 / 82261	253 / 82262	253 / 82263				
15	253 / 82235	253 / 82239	253 / 82243	253 / 82247				
16	253 / 82236	253 / 82240	253 / 82244	253 / 82248				
18	253 / 82237	253 / 82241	253 / 82245	253 / 82249				
20	253 / 82238	253 / 82242	253 / 82246	253 / 82250				
25	-	253 / 83313	-	-				
30	-	253 / 83314	-	-				

MATERIALS: Roller made out of polyamide black colour; cap made out of polyamide grey colour.

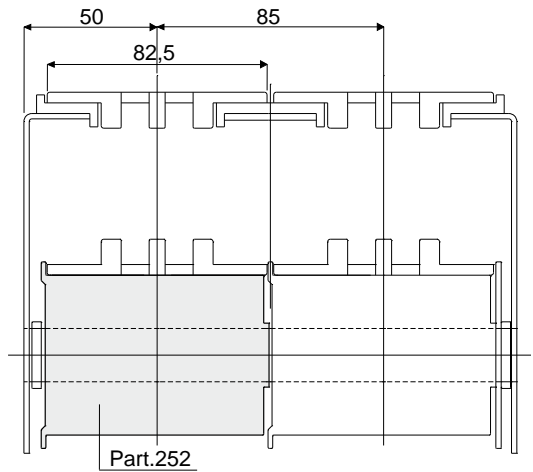
FEATURES: To be assembled in the chain return.

BOX QUANTITY: 48 pieces.

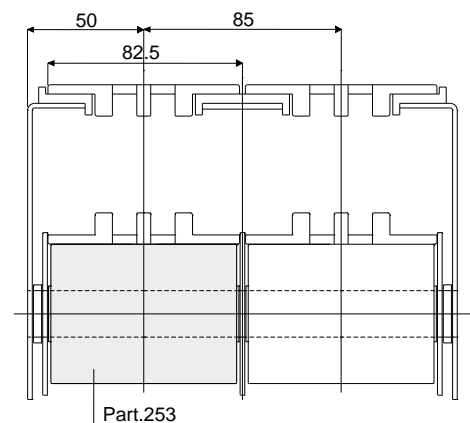
ON REQUEST:

- Rollers: Special bores, other colours.
- Box Quantity: According to your request.

Example of application

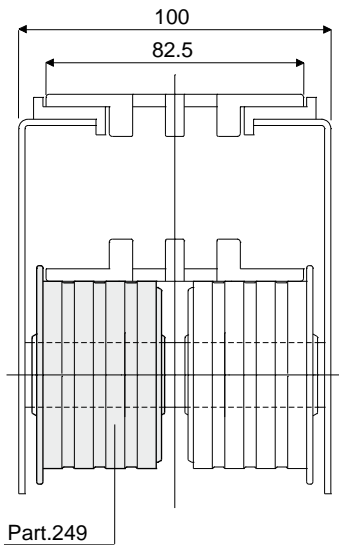


Example of application

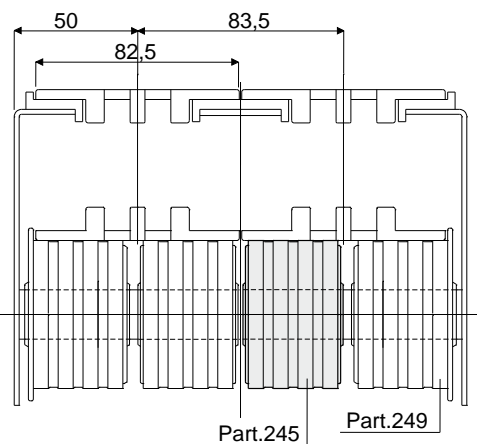


Return rollers

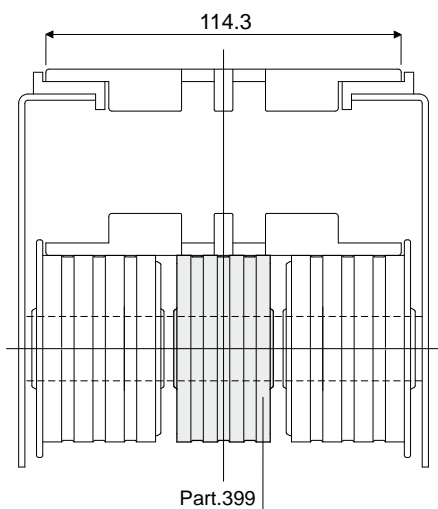
Example of application



Example of application

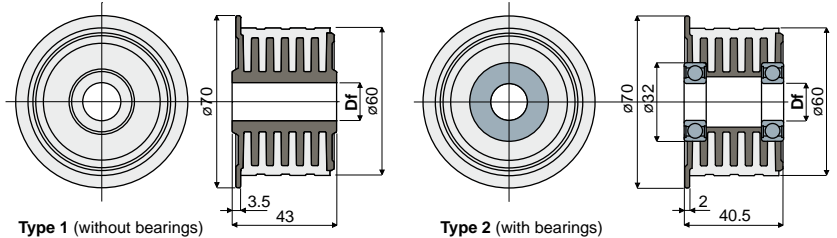
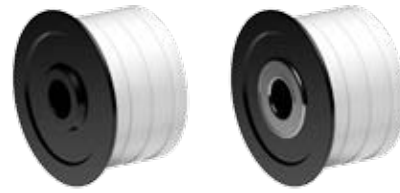


Example of application



Roller with rubber for chain return (with flange)

Part. **249**



Df Bore for pin of (mm)	Type 1 (without bearings) Code	Type 2 (with bearings) Code	Bearing type
15	249 / 82021	249 / 83642	6002-ZZ
16	249 / 82022	-	
18	249 / 82023	-	
20	249 / 82024	-	

MATERIALS: Internal part is made of polyamide black colour; external rubber is made of thermoplastic rubber grey colour 65 Shore; bearing made of chrome steel.

FEATURES: This roller is completely closed, total lack of internal cavities to obtain the maximum level of cleanability and noiselessness during working operations.

BOX QUANTITY: 48 pieces.

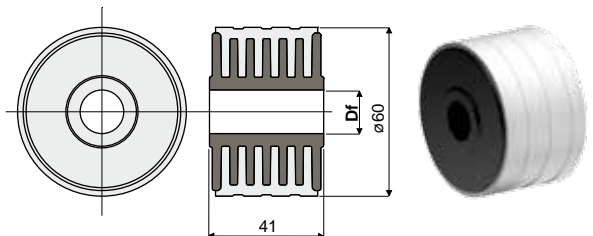
ON REQUEST:

- Rollers: Special bores, other colours.
- Box Quantity: According to your request.

Roller with rubber for chain return (without flange)

Part. **245**

Df Bore for pin of (mm)	Code
12	245 / 84180
15	245 / 82017
16	245 / 82018
18	245 / 82019
20	245 / 82020



MATERIALS: Internal part is made of polyamide black colour; external rubber is made of thermoplastic rubber grey colour 65 Shore.

FEATURES: This roller is completely closed, total lack of internal cavities to obtain the maximum level of cleanability and noiselessness during working operations.

BOX QUANTITY: 48 pieces.

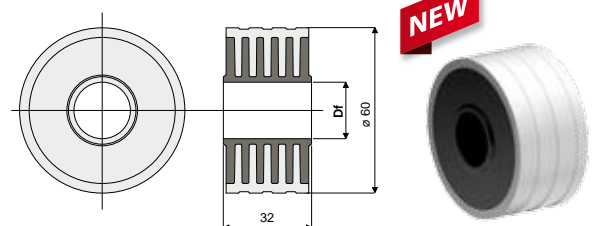
ON REQUEST:

- Rollers: Special bores, other colours.
- Box Quantity: According to your request.

Roller with rubber for chain return (without flange)

Part. **399**

Df Bore for pin of (mm)	Code
12	399 / 84304
15	399 / 84305
16	399 / 84306
18	399 / 84307
20	399 / 84308



MATERIALS: Internal part is made of polyamide black colour; external rubber is made of thermoplastic rubber grey colour 65 Shore.

FEATURES: This roller is completely closed, total lack of internal cavities to obtain the maximum level of cleanability and noiselessness during working operations.

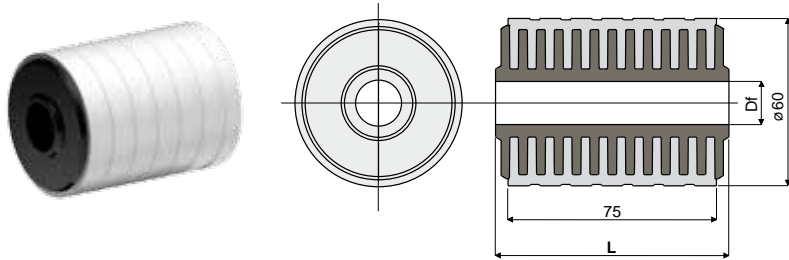
BOX QUANTITY: 48 pieces.

ON REQUEST:

- Rollers: Special bores, other colours.
- Box Quantity: According to your request.

Return rollers

Part. 293 Roller with rubber for chain return (without flange)



Df Bore for pin of (mm)	L = 82 mm	L = 84 mm
	Code	Code
12	293 / 82789	293 / 82833
15	293 / 82580	293 / 82581
16	293 / 82582	293 / 82583
18	293 / 82584	293 / 82585
20	293 / 82586	293 / 82587

MATERIALS: Internal part is made of polyamide black colour; external rubber is made of thermoplastic rubber grey colour 65 Shore.

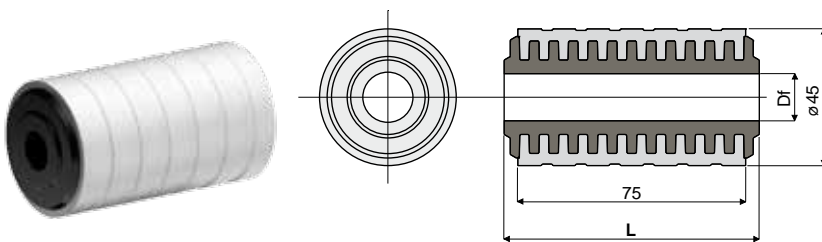
FEATURES: This roller is completely closed, total lack of internal cavities to obtain the maximum level of cleanability and noiselessness during working operations.

BOX QUANTITY: 48 pieces.

ON REQUEST:

- Rollers: Special bores, other colours.
- Box Quantity: According to your request.

Part. 276 Roller with rubber for chain return (without flange)



Df Bore for pin of (mm)	L = 82 mm	L = 84 mm
	Code	Code
12	276 / 82853	276 / 82855
15	276 / 82060	276 / 82061
16	276 / 82062	276 / 82063
18	276 / 82064	276 / 82065
20	276 / 82066	276 / 82067

MATERIALS: Internal part is made of polyamide black colour; external rubber is made of thermoplastic rubber grey colour 65 Shore.

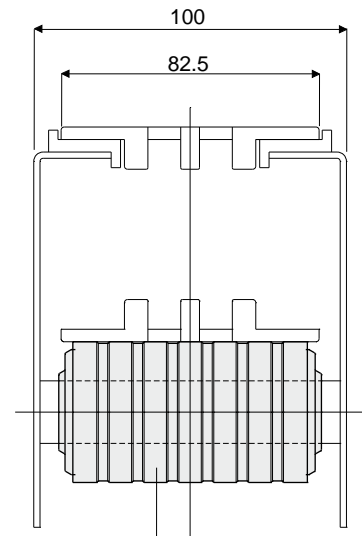
FEATURES: This roller is completely closed, total lack of internal cavities to obtain the maximum level of cleanability and noiselessness during working operations.

BOX QUANTITY: 48 pieces.

ON REQUEST:

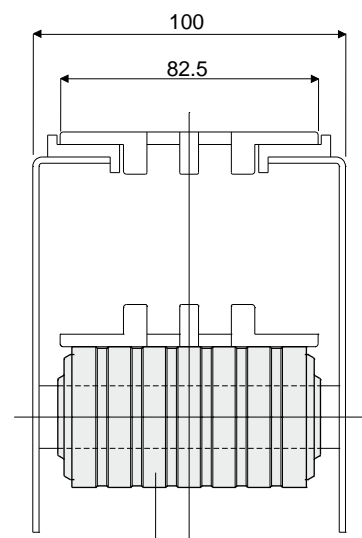
- Rollers: Special bores, other colours.
- Box Quantity: According to your request.

Example of application



Part.293

Example of application



Part.276

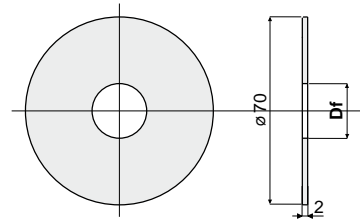
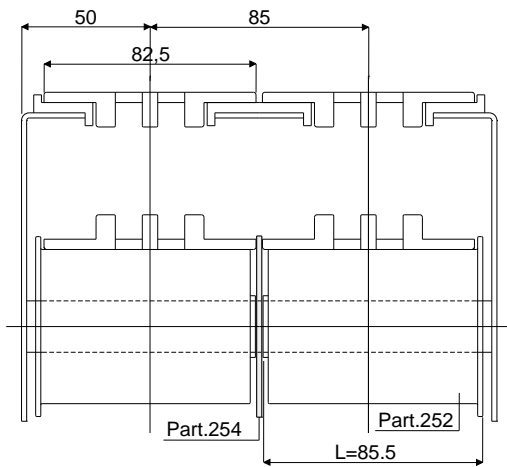
Return rollers

Flange for chain guide

(for roller Part. 251, 252, 253, 245, 293, 250, 249)

Part. **254**

Example of application



Df Bore for pin of (mm)	Code
12	254 / 82630
14	254 / 82264
15	254 / 82251
16	254 / 82252
18	254 / 82253
20	254 / 82254

MATERIALS: Flange is made of polypropylene black colour.

FEATURES: To be assembled to our roller for chain return Part.251, 252, 253, 245, 293, 250, 249.

BOX QUANTITY: 96 pieces.

ON REQUEST:

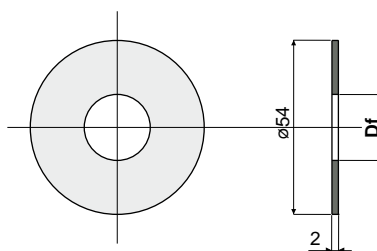
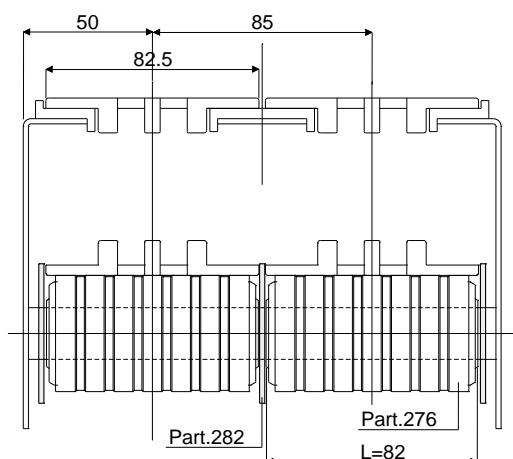
- Flanges: Special bores, other colours.
- Box Quantity: According to your request.

Flange for chain guide

(for Part. 276, 271, 270)

Part. **282**

Example of application



Df Bore for pin of (mm)	Code
15	282 / 82154
16	282 / 82155
18	282 / 82156
20	282 / 82157

MATERIALS: Flange is made of polypropylene black colour.

FEATURES: To be assembled to our roller for chain return Part.276, 271, 270.

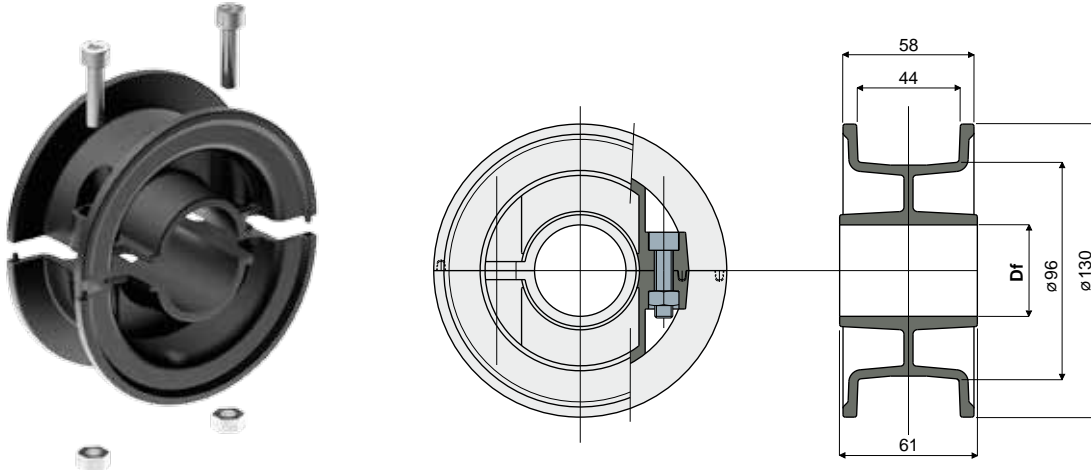
BOX QUANTITY: 96 pieces.

ON REQUEST:

- Flanges: Special bores, other colours.
- Box Quantity: According to your request.

Idler wheels

Part. **311** Split idler wheel 21 teeth (for chains series 812-815-820-831)



Df Bore for pin of (mm)	Code
25	311 / 82841
30	311 / 82842
35	311 / 82843
40	311 / 82844

MATERIALS: Wheel made of polyamide black colour; bolts and nuts made of stainless steel AISI 304.

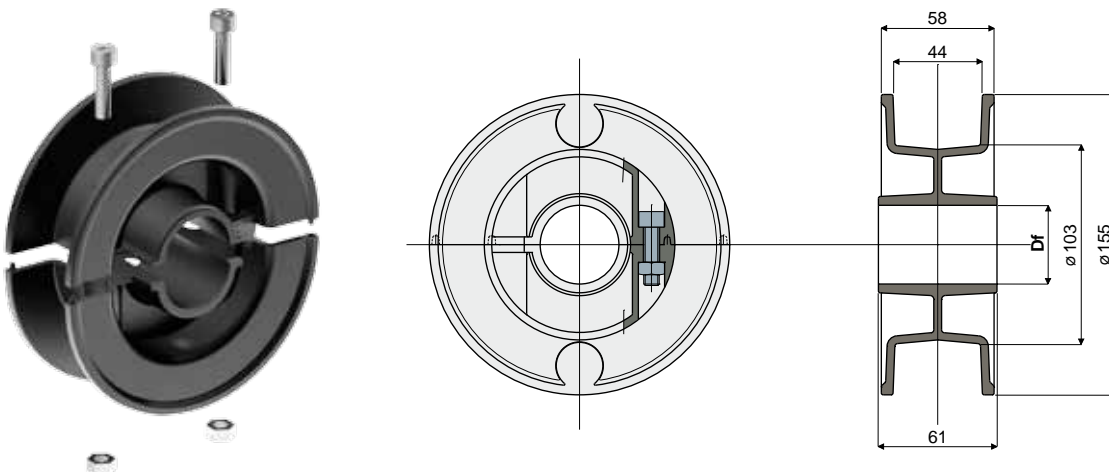
FEATURES: Supplied assembled. To be used for chain return in the series 812, 815, 820, 831.

BOX QUANTITY: 12 pieces.

ON REQUEST:

- **Wheels:** With special bores, other colours.
- **Box Quantity:** According to your request.

Part. **285** Split idler wheel 25 teeth (for chains series 812-815-820-831)



Df Bore for pin of (mm)	Code
25	285 / 82526
30	285 / 82528
35	285 / 82529
40	285 / 82530

MATERIALS: Wheel made of polyamide black colour; bolt and nuts made of stainless steel AISI 304.

FEATURES: Supplied assembled. To be used for chains Series 812, 815, 820, 831.

BOX QUANTITY: 12 pieces.

ON REQUEST:

- **Wheels:** With special bores, other colours, with customer brand.
- **Box Quantity:** According to your request.

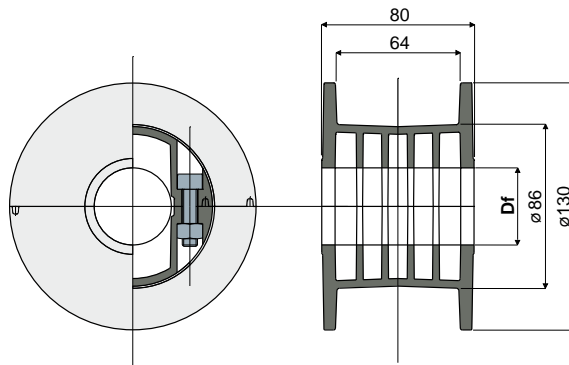
Idler wheels

Split idler wheel 10 teeth

(for chains series 879 Tab, 880 Tab and 881 Tab)

Part. **310**

Df Bore for pin of (mm)	Code
20	310 / 82827
25	310 / 82828
30	310 / 82829
35	310 / 82830
40	310 / 82831



MATERIALS: Wheel made of polyamide black colour; bolts and nuts made of stainless steel AISI 304.

FEATURES: Supplied assembled. To be used for chain return in series 879 Tab, 880 Tab and 881 Tab.

BOX QUANTITY: 12 pieces.

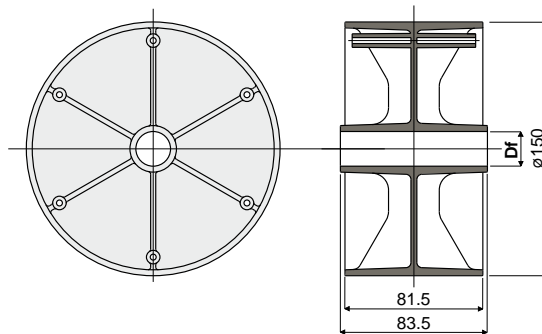
ON REQUEST:

- Wheels: With special bores, other colours.
- Box Quantity: According to your request.

Idler wheel for chain return

Part. **268**

Df Bore for pin of (mm)	Code
20	268 / 82040



MATERIALS: Wheel in polyamide black colour.

FEATURES: To be assembled in the chain return near to the sprocket.

BOX QUANTITY: 12 pieces.

ON REQUEST:

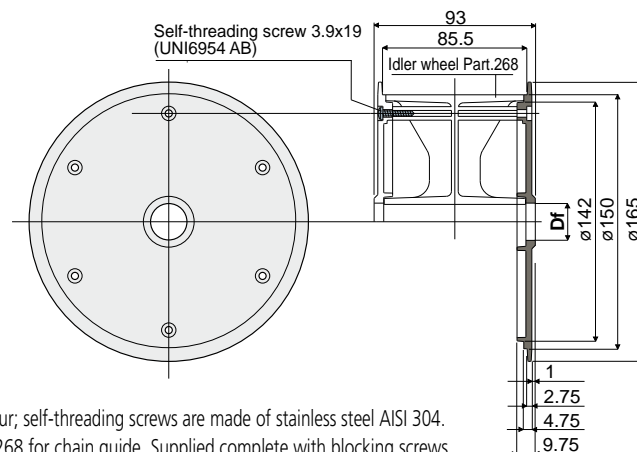
- Wheels: Other bore sizes, materials and colours.
- Box Quantity: According to your request.

Flange for chain guide

(for idler wheel Part. 268)

Part. **269**

Df Bore for pin of (mm)	Code
20	269 / 82041



MATERIALS: Flange is made of polyamide black colour; self-threading screws are made of stainless steel AISI 304.

FEATURES: To be assembled to our idler wheel Part.268 for chain guide. Supplied complete with blocking screws.

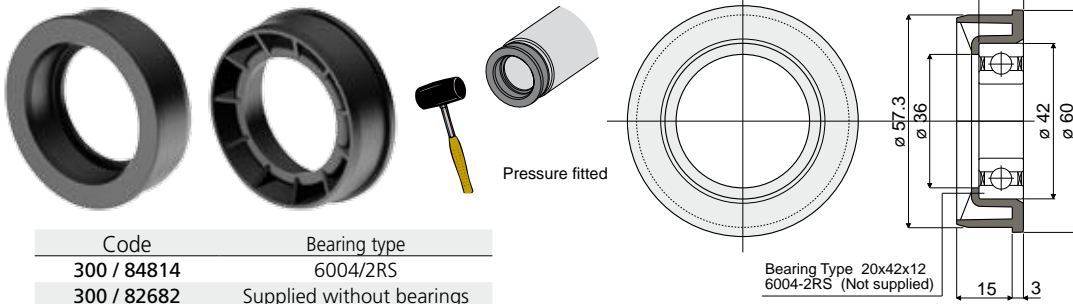
BOX QUANTITY: 24 pieces.

ON REQUEST:

- Flanges: Other bore sizes, materials and colours.
- Box Quantity: According to your request.

Bearing supports

Part. 300 Bearing-holder flange



Code	Bearing type
300 / 84814	6004/2RS
300 / 82682	Supplied without bearings

MATERIALS: Flange is made of polyamide black colour.

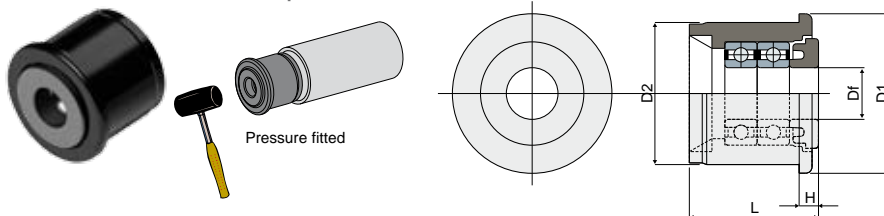
FEATURES: To be inserted in the tube sides D=60,3 thickness 1,5 mm to build a roller conveyor or rollers for chain return.

BOX QUANTITY: 24 pieces.

ON REQUEST:

- Flanges: Supplied assembled with bearings.
- Box Quantity: According to your request.

Part. 317 Bearing support for conveyor rollers (with protective shield)



Tube dimensions			Bore for pin of					Code	Bearing type
Outside ø (mm)	Thickness (mm)	Inside ø (mm)	D1 (mm)	D2 (mm)	H (mm)	L (mm)	Df (mm)		
25	1,5	22	25	22	3	20	8	317 / 82911	688/8-2RS
25	1,5	22	25	22	3	20	8	317 / 82912	Supplied without bearings

MATERIALS: Bearing support with internal part and external bushing made of polyamide black colour; bearing made of chrome steel.

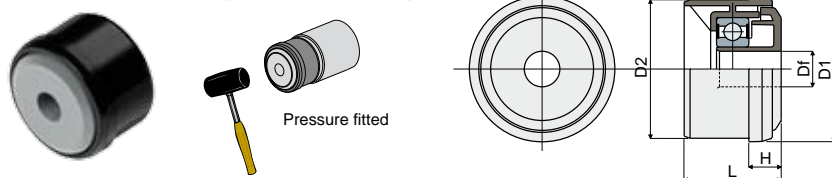
FEATURES: To be inserted in the tube sides to build a roller conveyor.

BOX QUANTITY: 24 pieces.

ON REQUEST:

- Bearing supports: other colours.
- Box Quantity: According to your request.

Part. 263 Bearing support for conveyor rollers (for idler roller)



Tube dimensions			Bore for pin of					Code	Bearing type
Outside ø (mm)	Thickness (mm)	Inside ø (mm)	D1 (mm)	D2 (mm)	H (mm)	L (mm)	Df (mm)		
50	1,5	47	50	47	11	30	12	263 / 82032	6202-2RS
50	1,5	47	50	47	11	30	14	263 / 82256	6202-2RS
60	1,5	57	60	57	15	53	12	263 / 85071	6202-2RS
60	1,5	57	60	57	15	53	14	263 / 85068	6202-2RS
60	2,0	56	60	56	15	53	12	263 / 85072	6202-2RS
60	2,0	56	60	56	15	53	14	263 / 85069	6202-2RS
60	2,75	54,5	60	54,5	15	53	12	263 / 85073	6202-2RS
60	2,75	54,5	60	54,5	15	53	14	263 / 85070	6202-2RS

MATERIALS: Bearing support with protective shield made of polyamide grey colour; external bushing made of polyamide black colour; bearing made of chrome steel.

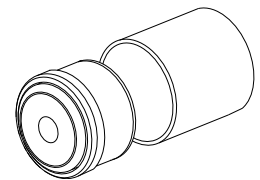
FEATURES: To be inserted in the tube sides to build a roller conveyor.

BOX QUANTITY: 24 pieces.

ON REQUEST:

- Bearing supports: Other colours, bores with different sizes.
- Box Quantity: According to your request.

Example of assembly

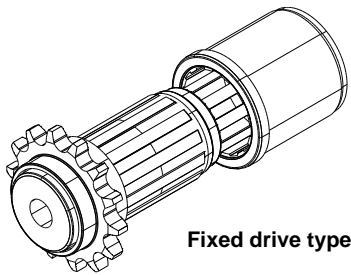


NEW

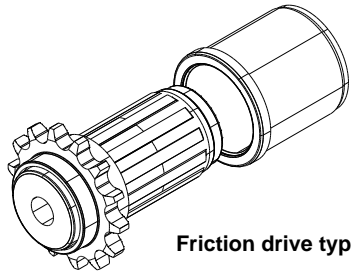
Bearing supports

Bearing support for conveyor rollers (for drive roller)

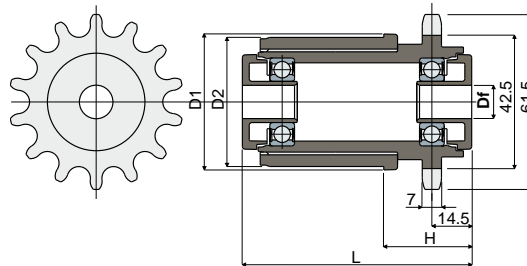
Part. **264**



Fixed drive type



Friction drive type



Tube dimensions				Bore for pin of		Fixed drive type	Friction drive type	Bearing type		
Outside ø (mm)	Thickness (mm)	Inside ø (mm)	D1 (mm)	D2 (mm)	H (mm)	L (mm)	Df (mm)		Code	Code
50	1,5	47	50	47	32	83	12	264 / 82033	264 / 82217	6002-2RS
50	1,5	47	50	47	32	83	14	264 / 82215	264 / 82218	6002-2RS
60	1,5	57	60	57	39	83	12	264 / 85074	264 / 84244	6002-2RS
60	1,5	57	60	57	39	83	14	264 / 85075	264 / 84245	6002-2RS
60	2,0	56	60	56	39	83	12	264 / 85076	264 / 84246	6002-2RS
60	2,0	56	60	56	39	83	14	264 / 85077	264 / 84247	6002-2RS
60	2,75	54,5	60	54,5	39	83	12	264 / 85078	264 / 84251	6002-2RS
60	2,75	54,5	60	54,5	39	83	14	264 / 85079	264 / 84253	6002-2RS

MATERIALS: Bearing support with protective shield made of polyamide grey colour; external bushing made of polyamide black colour; bearing made of chrome steel.

FEATURES: To be inserted in the tube sides to build a roller conveyor. Drive sprocket with 14 teeth for roller chain type DIN 8187-08-b1.

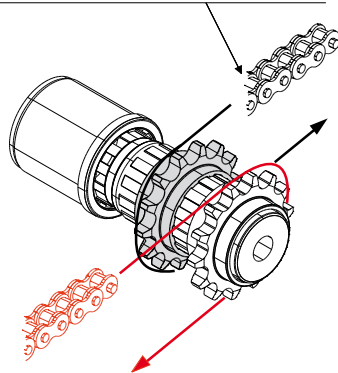
BOX QUANTITY: 24 pieces.

ON REQUEST:

- Bearing supports: other colours, bores with different sizes.
- Box Quantity: According to your request.

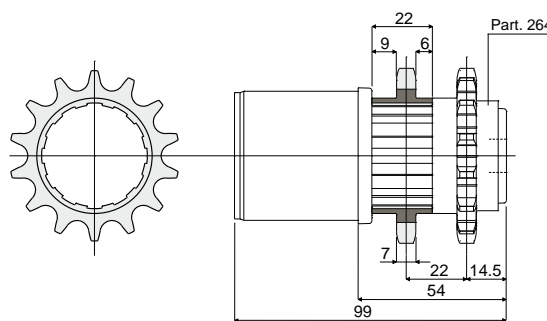
NEW

Roller chain type DIN 8187 tipo 08-B1



Example of assembly

14 teeth sprocket Part. 265 (for bearing support Part. 264)



Code
265 / 82034

MATERIALS: Drive sprocket is made of polyamide black colour.

FEATURES: Accessory to be used with bearing support Part.264 to make the drive roller to roller. This drive type allows a greater torque.

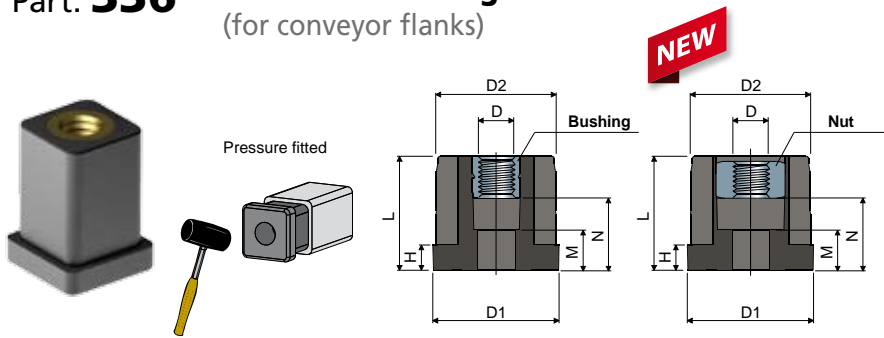
BOX QUANTITY: 24 pieces.

ON REQUEST:

- Sprockets: other colours.
- Box Quantity: According to your request.

Bushings

Part. 336 Threaded bushings (for conveyor flanks)



Tube dimensions										With bushing
Outside (mm)	Thickness (mm)	Inside (mm)	Thread D	D1 (mm)	D2 (mm)	H (mm)	L (mm)	M (mm)	N (mm)	Code
20x20	1,5	17x17	M8	20x20	17x17	5	28	13	18	336 / 83138

Tube dimensions										With nut
Outside (mm)	Thickness (mm)	Inside (mm)	Thread D	D1 (mm)	D2 (mm)	H (mm)	L (mm)	M (mm)	N (mm)	Code
20x20	1,5	17x17	M8	20x20	17x17	5	28	13	18	336 / 84563

MATERIALS: Bushing in reinforced polyamide black colour; threaded insert or nut in brass.

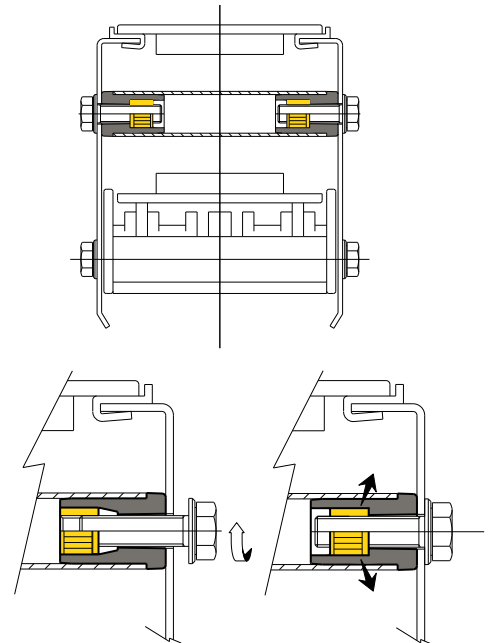
FEATURES: Supplied assembled. To be assembled in the conveyor flanks.

BOX QUANTITY: 48 pieces.

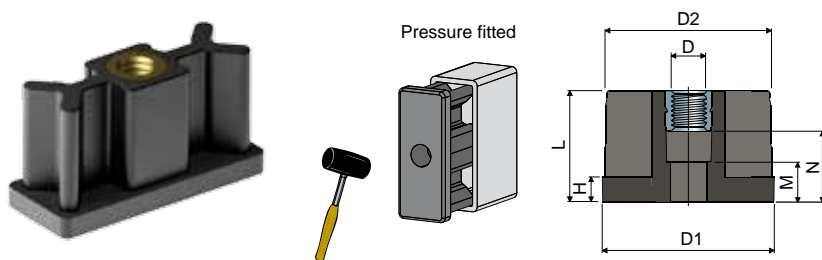
ON REQUEST:

- Bushes: Special thickness tube.
- Box Quantity: According to your request.

Example of application



Part. 335 Threaded bushings (for conveyor flanks)



Tube dimensions										Code
Outside (mm)	Thickness (mm)	Inside (mm)	Thread D	D1 (mm)	D2 (mm)	H (mm)	L (mm)	M (mm)	N (mm)	Code
20x50	2	16x46	M8	20x50	16x46	5	28	13	18	335 / 83128

MATERIALS: Bush in reinforced polyamide black colour; threaded insert in brass.

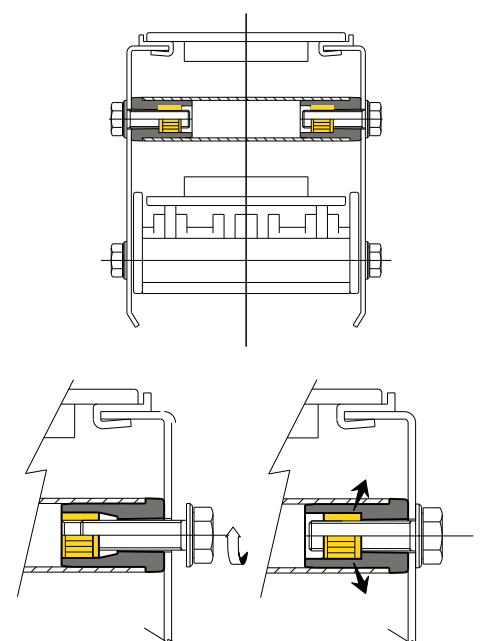
FEATURES: Supplied assembled. To be assembled in the conveyor flanks.

BOX QUANTITY: 48 pieces.

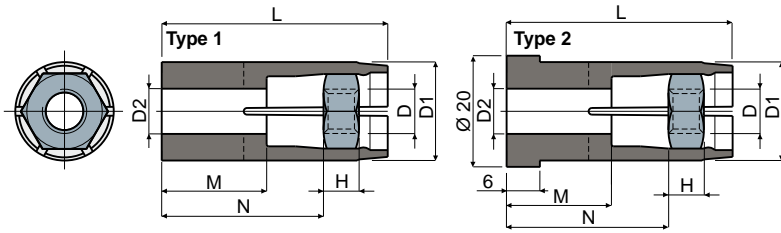
ON REQUEST:

- Bushes: Special thickness tube.
- Box Quantity: According to your request.

Example of application



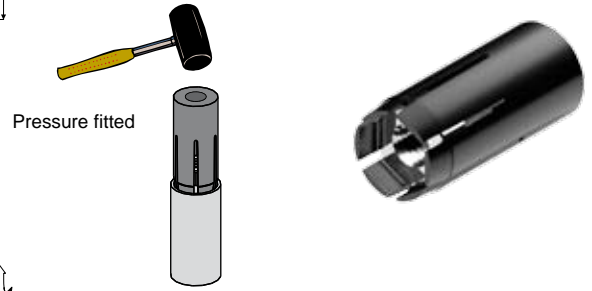
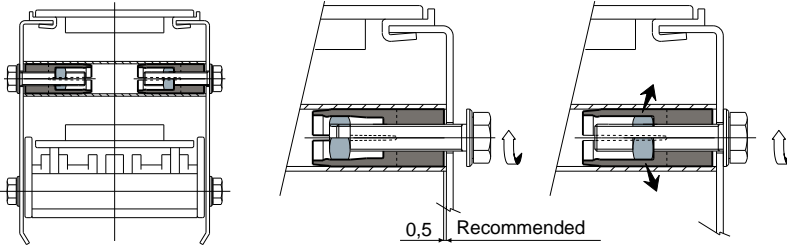
Bushings



Expansion plugs (for round tubes)

Part. **283**

Example of application



Tube dimensions										Type 1
Outside (mm)	Thickness (mm)	Inside (mm)	D (mm)	D1 (mm)	D2 (mm)	H (mm)	L (mm)	M (mm)	N (mm)	Code
20	1,5	17	M8	17	8,5	6,5	40	18	28	283 / 82579
25	1,5	22	M10	22	10,5	8	51	23	36	283 / 82505

Tube dimensions										Type 2
Outside (mm)	Thickness (mm)	Inside (mm)	D (mm)	D1 (mm)	D2 (mm)	H (mm)	L (mm)	M (mm)	N (mm)	Code
20	1,5	17	M8	17	8,5	6,5	40	19	29	283 / 82664
25	1,5	22	M8	22	8,5	6,5	51	23	36	283 / 84865

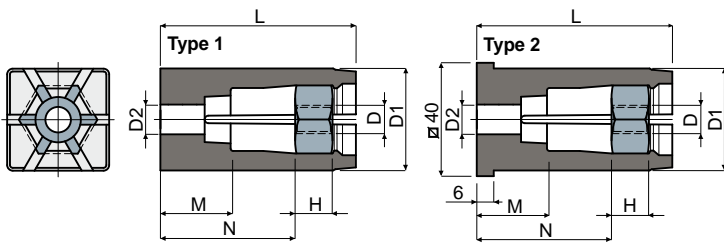
MATERIALS: Plug made of reinforced polyamide black colour; nut made of stainless steel AISI 304.

FEATURES: Supplied assembled. To be assembled in the conveyor flanks.

BOX QUANTITY: 48 pieces.

ON REQUEST:

- **Plugs:** Special thickness tube.
- **Box Quantity:** According to your request.

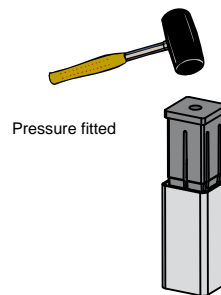
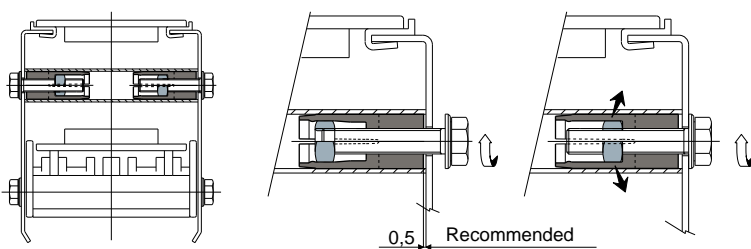


Expansion plugs (for square tubes)

Part. **414**

NEW

Example of application



Tube dimensions										Type 1
Outside (mm)	Thickness (mm)	Inside (mm)	D (mm)	D1 (mm)	D2 (mm)	H (mm)	L (mm)	M (mm)	N (mm)	Code
40x40	2	36x36	M8	36	10,5	13	69	24,8	47,5	414 / 84868
40x40	2	36x36	M10	36	10,5	13	69	24,8	47,5	414 / 85096

Tube dimensions										Type 2
Outside (mm)	Thickness (mm)	Inside (mm)	D (mm)	D1 (mm)	D2 (mm)	H (mm)	L (mm)	M (mm)	N (mm)	Code
40x40	2	36x36	M8	36	10,5	13	69	24,8	47,5	414 / 84545
40x40	2	36x36	M10	36	10,5	13	69	24,8	47,5	414 / 84546

MATERIALS: Plug made of reinforced polyamide black colour; nut made of stainless steel AISI 304.

FEATURES: Supplied assembled. To be assembled in the conveyor flanks.

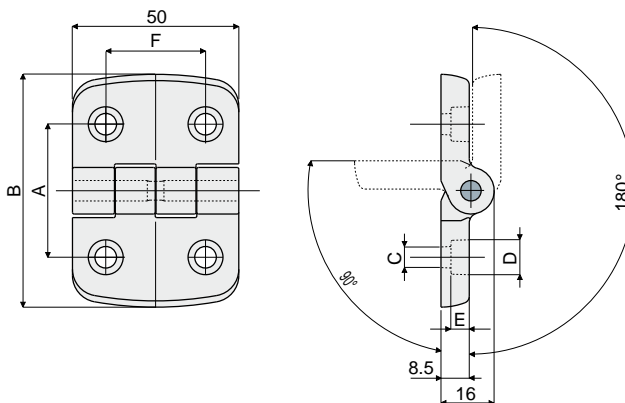
BOX QUANTITY: 48 pieces.

ON REQUEST:

- **Plugs:** Special thickness tube.
- **Box Quantity:** According to your request.

Hinges

Part. 233 Hinge



A (mm)	B (mm)	C (mm)	D (mm)	E (mm)	F (mm)	Code
34	50	5,5	10,5	3,5	34	233 / 80970
31	50	5,5	9	5	30	233 / 80772
40	70	6,5	10,5	6	30	233 / 80773
46	70	6,5	10,5	6	30	233 / 80774
46	70	8,5	13,5	5	30	233 / 80775

MATERIALS: Hinge made of reinforced polyamide black colour; pin made of stainless steel AISI 304.

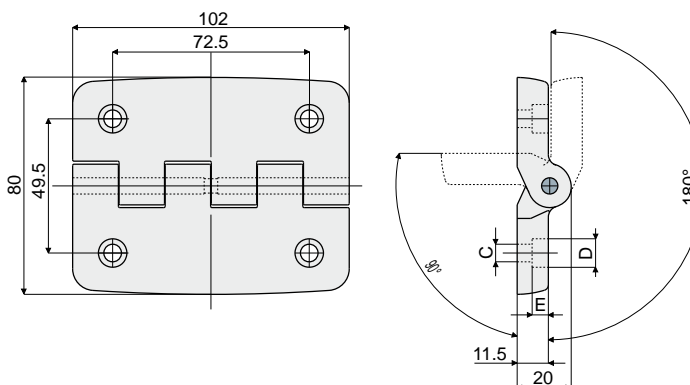
FEATURES: Maximum rotation 270°

BOX QUANTITY: 24 pieces.

ON REQUEST:

- Hinges: In reinforced polypropylene, other colours.
- Box Quantity: According to your request.

Part. 234 Hinge



C (mm)	D (mm)	E (mm)	Code
6,5	10,5	6	234 / 80776
8,5	13,5	8	234 / 80777

MATERIALS: Hinge made of reinforced polyamide black colour; pin made of stainless steel AISI 304.

FEATURES: Maximum rotation 270°

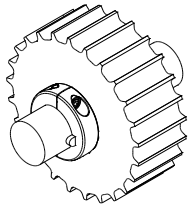
BOX QUANTITY: 24 pieces.

ON REQUEST:

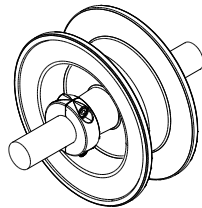
- Hinges: In reinforced polypropylene, other colours.
- Box Quantity: According to your request.

Split shaft collars

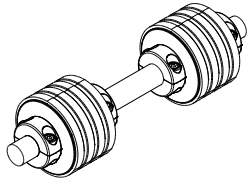
Example of applications



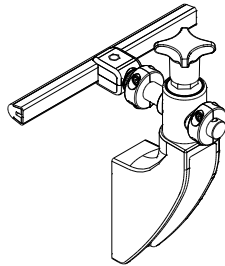
Sprockets



Idle wheels



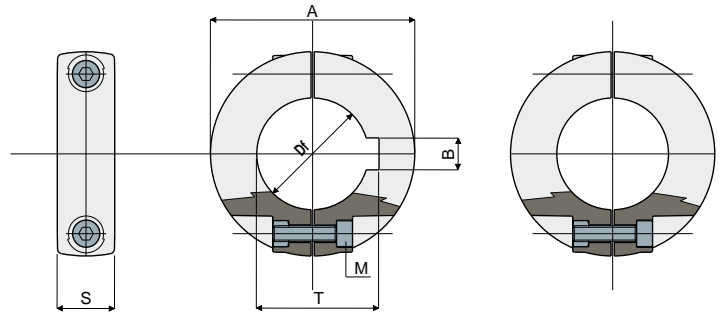
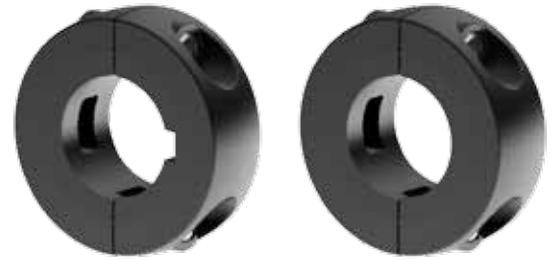
Rollers for chain return



Guide rail bracket

Split shaft collars

Part. 288



With Keyway

Without Keyway

With keyway						Code
Df (mm)	A (mm)	S (mm)	M (mm)	B (mm)	T (mm)	
20	40	14	M4	6	22,8	288 / 82555
25	50	14	M5	8	28,3	288 / 82556
30	50	14	M5	8	33,3	288 / 82557
35	65	14	M5	10	38,3	288 / 82558
40	65	14	M5	12	43,3	288 / 82559

Without keyway				Code
Df (mm)	A (mm)	S (mm)	M (mm)	
12	35	13	M4	288 / 82560
14	35	13	M4	288 / 82561
16	35	13	M4	288 / 82562
18	40	14	M4	288 / 82563
20	40	14	M4	288 / 82564
25	50	14	M5	288 / 82565
30	50	14	M5	288 / 82566
35	65	14	M5	288 / 82567
40	65	14	M5	288 / 82568

MATERIALS: Collars made out of reinforced polyamide black colour; bolt and nuts made out of stainless steel AISI 304.

FEATURES: Supplied assembled. To be assembled on the shaft to obtain wheels axial blocking; to be assembled on pins for guides supporting to adjust the position of guides according to the bottle size.

BOX QUANTITY: 96 pieces.

ON REQUEST:

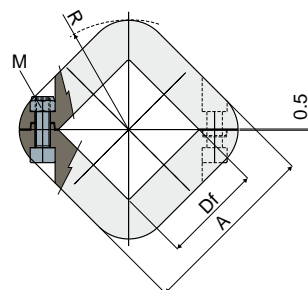
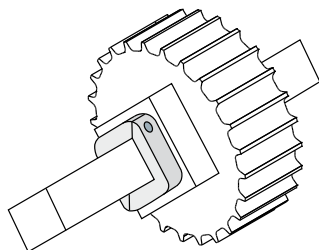
- Collars: With special bores, other colours.
- Box Quantity: According to your request.

Split shaft collar

Part. 376

(with square bore 40x40 mm - 60x60 mm)

Example of application



M (mm)	Df (mm)	A (mm)	R (mm)	Code
M6	40	72	44	376 / 83895
M6	60	92	58	376 / 85067

NEW

MATERIALS: Collars made out of reinforced polyamide black colour; self-locking nuts and screws made of stainless steel AISI 304.

FEATURES: To be assembled on the shaft to obtain wheels axial blocking.

BOX QUANTITY: 96 pieces.

ON REQUEST:

- Box quantity: According to your request.

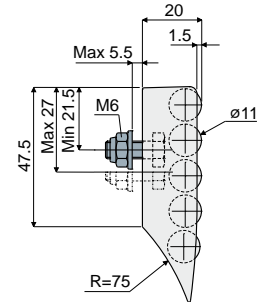
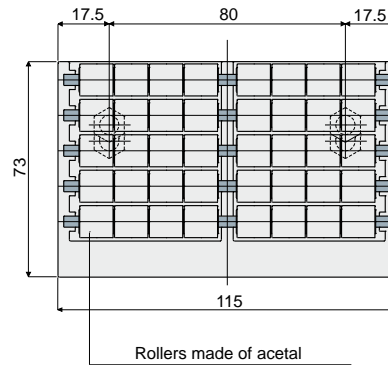
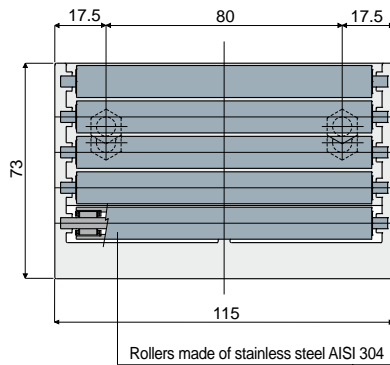
Modular transfer plates

Part. **257**

Modular transfer plates with lip
(width 115 mm 5 rows of rollers)



NEW



Rollers made of acetal	Rollers made of stainless steel AISI 304
Code	Code
257 / 82005	257 / 85004

MATERIALS: Modular transfer plate with external module made of acetal grey colour; rollers made of grey acetal or stainless steel AISI 304; pins and fixing nuts are made of stainless steel AISI 304.

FEATURES: To be assembled at the end of your conveyor to help the products transfer. Easy to assemble, low friction coefficient, minimum noise level, extremely cleanable.

BOX QUANTITY: 8 pieces.

ON REQUEST:

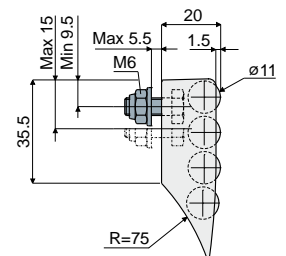
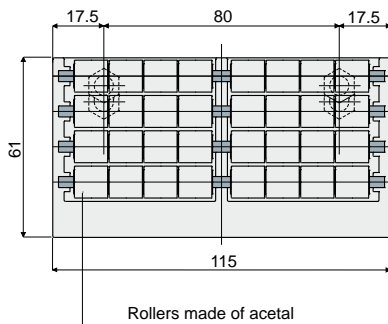
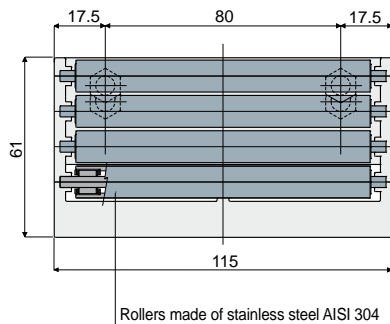
- External module and rollers: Can be produced in other colours.
- Box Quantity: According to your request.

Part. **417**

Modular transfer plates with lip
(width 115 mm 4 rows of rollers)



NEW



Rollers made of acetal	Rollers made of stainless steel AISI 304
Code	Code
417 / 84576	417 / 85031

MATERIALS: Modular transfer plate with external module made of acetal grey colour; rollers made of grey acetal or stainless steel AISI 304; pins and fixing nuts are made of stainless steel AISI 304.

FEATURES: To be assembled at the end of your conveyor to help the products transfer. Easy to assemble, low friction coefficient, minimum noise level, extremely cleanable.

BOX QUANTITY: 8 pieces.

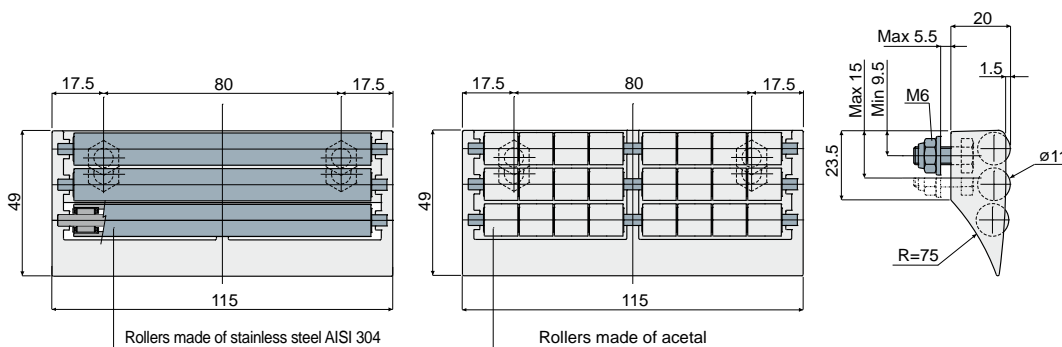
ON REQUEST:

- External module and rollers: Can be produced in other colours.
- Box Quantity: According to your request.

Modular transfer plates

Modular transfer plates with lip (width 115 mm 3 rows of rollers)

Part. **258**



Rollers made of acetal	Rollers made of stainless steel AISI 304
Code	Code
258 / 82004	258 / 85003

MATERIALS: Modular transfer plate with external module made of acetal grey colour; rollers made of grey acetal or stainless steel AISI 304; pins and fixing nuts are made of stainless steel AISI 304.

FEATURES: To be assembled at the end of your conveyor to help the products transfer. Easy to assemble, low friction coefficient, minimum noise level, extremely cleanable.

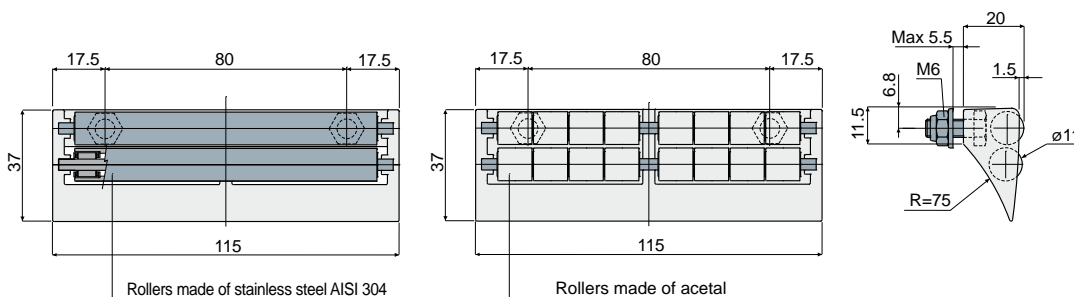
BOX QUANTITY: 8 pieces.

ON REQUEST:

- External module and rollers: Can be produced in other colours.
- Box Quantity: According to your request.

Modular transfer plates with lip (width 115 mm 2 rows of rollers)

Part. **259**



Rollers made of acetal	Rollers made of stainless steel AISI 304
Code	Code
259 / 82003	259 / 85002

MATERIALS: Modular transfer plate with external module made of acetal grey colour; rollers made of grey acetal or stainless steel AISI 304; pins and fixing nuts are made of stainless steel AISI 304.

FEATURES: To be assembled at the end of your conveyor to help the products transfer. Easy to assemble, low friction coefficient, minimum noise level, extremely cleanable.

BOX QUANTITY: 8 pieces.

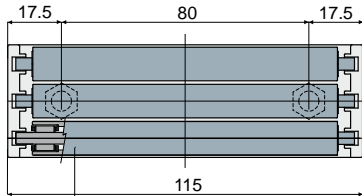
ON REQUEST:

- External module and rollers: Can be produced in other colours.
- Box Quantity: According to your request.

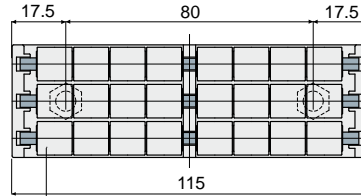
Modular transfer plates

Part. 430 Modular transfer plates without lip (width 115 mm 3 rows of rollers)

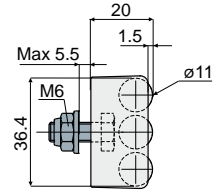
NEW



Rollers made of stainless steel AISI 304



Rollers made of acetal



Rollers made of acetal	Rollers made of stainless steel AISI 304
Code	Code
430 / 85084	430 / 85080

MATERIALS: Modular transfer plate with external module made of acetal grey colour; rollers made of grey acetal or stainless steel AISI 304; pins and fixing nuts are made of stainless steel AISI 304.

FEATURES: To be assembled at the end of your conveyor to help the products transfer. Easy to assemble, low friction coefficient, minimum noise level, extremely cleanable.

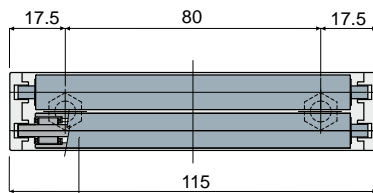
BOX QUANTITY: 8 pieces.

ON REQUEST:

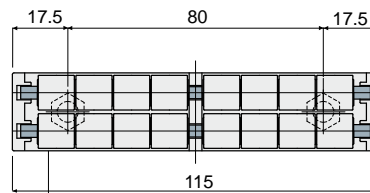
- External module and rollers: Can be produced in other colours.
- Box Quantity: According to your request.

Part. 431 Modular transfer plates without lip (width 115 mm 2 rows of rollers)

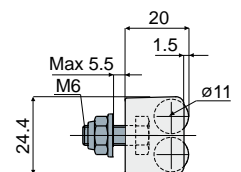
NEW



Rollers made of stainless steel AISI 304



Rollers made of acetal



Rollers made of acetal	Rollers made of stainless steel AISI 304
Code	Code
431 / 85085	431 / 85081

MATERIALS: Modular transfer plate with external module made of acetal grey colour; rollers made of grey acetal or stainless steel AISI 304; pins and fixing nuts are made of stainless steel AISI 304.

FEATURES: To be assembled at the end of your conveyor to help the products transfer. Easy to assemble, low friction coefficient, minimum noise level, extremely cleanable.

BOX QUANTITY: 8 pieces.

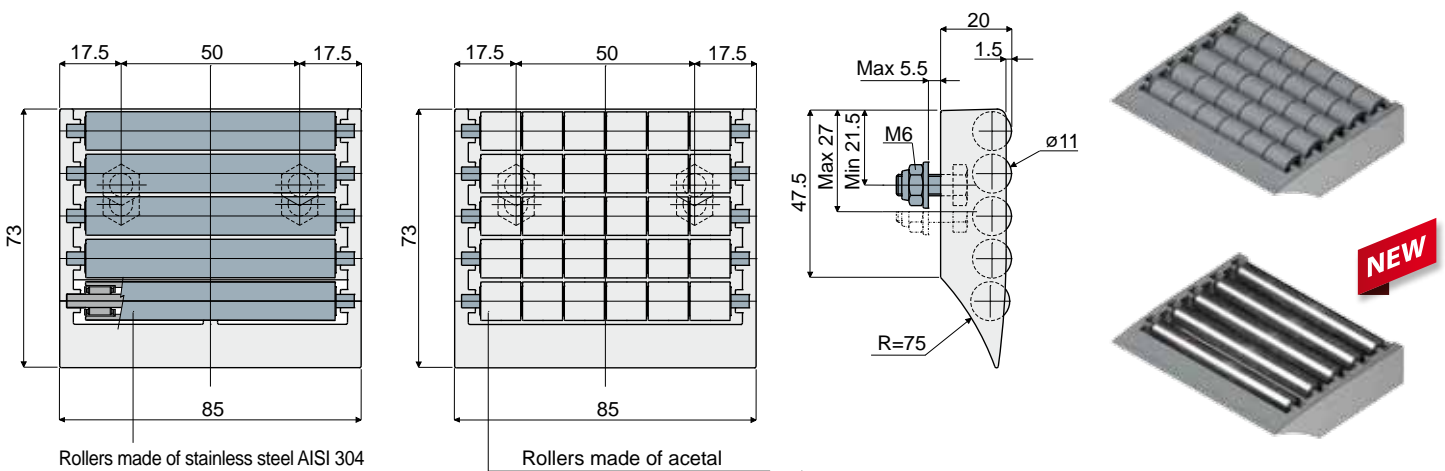
ON REQUEST:

- External module and rollers: Can be produced in other colours.
- Box Quantity: According to your request.

Modular transfer plates

Modular transfer plates with lip (width 85 mm 5 rows of rollers)

Part. **260**



Rollers made of acetal	Rollers made of stainless steel AISI 304
Code	Code
260 / 82002	260 / 85007

MATERIALS: Modular transfer plate with external module made of acetal grey colour; rollers made of grey acetal or stainless steel AISI 304; pins and fixing nuts are made of stainless steel AISI 304.

FEATURES: To be assembled at the end of your conveyor to help the products transfer. Easy to assemble, low friction coefficient, minimum noise level, extremely cleanable.

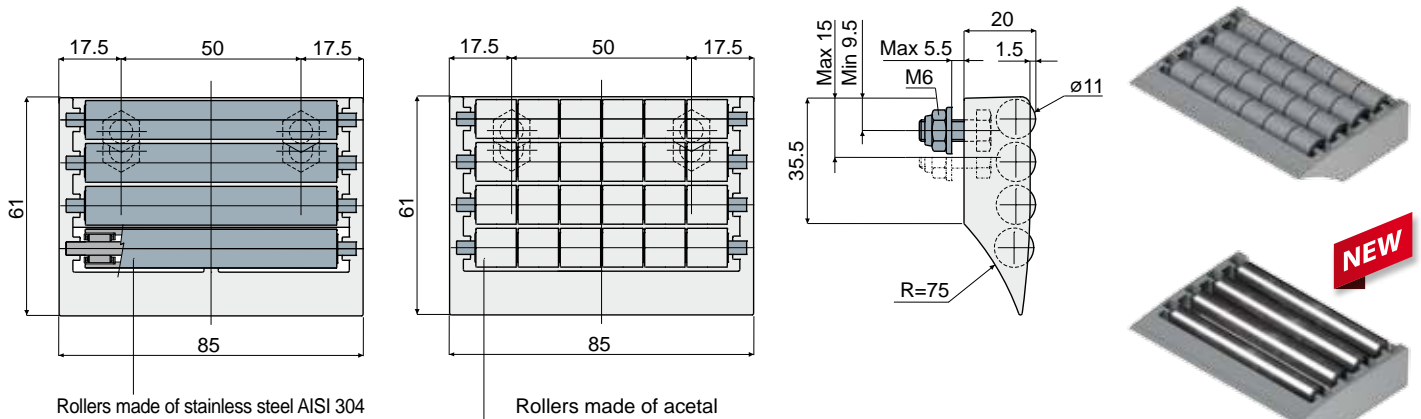
BOX QUANTITY: 8 pieces.

ON REQUEST:

- External module and rollers: Can be produced in other colours.
- Box Quantity: According to your request.

Modular transfer plates with lip (width 85 mm 4 rows of rollers)

Part. **416**



Rollers made of acetal	Rollers made of stainless steel AISI 304
Code	Code
416 / 84575	416 / 85032

MATERIALS: Modular transfer plate with external module made of acetal grey colour; rollers made of grey acetal or stainless steel AISI 304; pins and fixing nuts are made of stainless steel AISI 304.

FEATURES: To be assembled at the end of your conveyor to help the products transfer. Easy to assemble, low friction coefficient, minimum noise level, extremely cleanable.

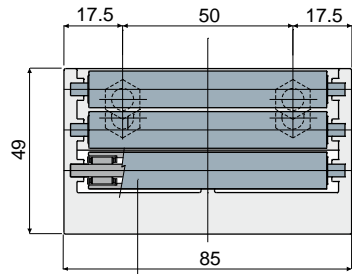
BOX QUANTITY: 8 pieces.

ON REQUEST:

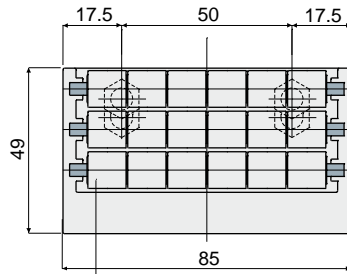
- External module and rollers: Can be produced in other colours.
- Box Quantity: According to your request.

Modular transfer plates

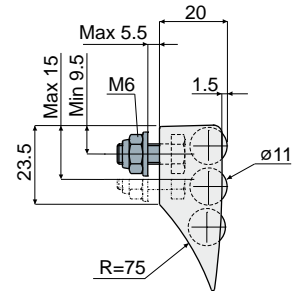
Part. 261 Modular transfer plates with lip (width 85 mm 3 rows of rollers)



Rollers made of stainless steel AISI 304



Rollers made of acetal



Rollers made of acetal	Rollers made of stainless steel AISI 304
Code	Code
261 / 82001	261 / 85006

MATERIALS: Modular transfer plate with external module made of acetal grey colour; rollers made of grey acetal or stainless steel AISI 304; pins and fixing nuts are made of stainless steel AISI 304.

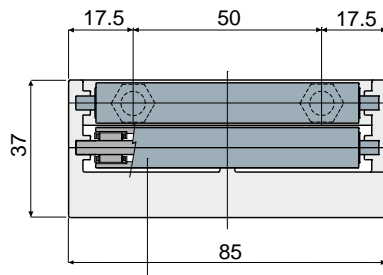
FEATURES: To be assembled at the end of your conveyor to help the products transfer. Easy to assemble, low friction coefficient, minimum noise level, extremely cleanable.

BOX QUANTITY: 8 pieces.

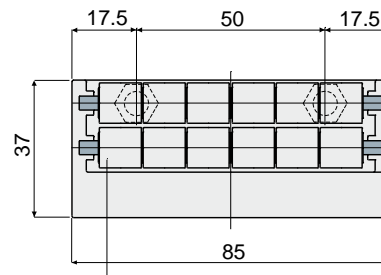
ON REQUEST:

- External module and rollers: Can be produced in other colours.
- Box Quantity: According to your request.

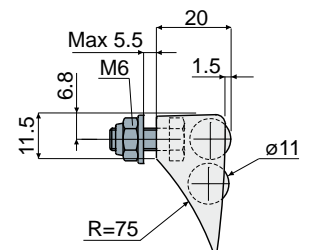
Part. 262 Modular transfer plates with lip (width 85 mm 2 rows of rollers)



Rollers made of stainless steel AISI 304



Rollers made of acetal



Rollers made of acetal	Rollers made of stainless steel AISI 304
Code	Code
262 / 82000	262 / 85005

MATERIALS: Modular transfer plate with external module made of acetal grey colour; rollers made of grey acetal or stainless steel AISI 304; pins and fixing nuts are made of stainless steel AISI 304.

FEATURES: To be assembled at the end of your conveyor to help the products transfer. Easy to assemble, low friction coefficient, minimum noise level, extremely cleanable.

BOX QUANTITY: 8 pieces.

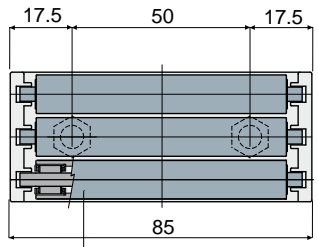
ON REQUEST:

- External module and rollers: Can be produced in other colours.
- Box Quantity: According to your request.

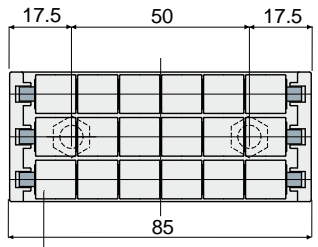
Modular transfer plates

Modular transfer plates without lip (width 85 mm 3 rows of rollers)

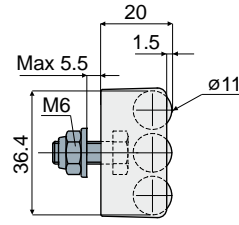
Part. **432**



Rollers made of stainless steel AISI 304



Rollers made of acetal



Rollers made of acetal	Rollers made of stainless steel AISI 304
Code	Code
432 / 85086	432 / 85082

MATERIALS: Modular transfer plate with external module made of acetal grey colour; rollers made of grey acetal or stainless steel AISI 304; pins and fixing nuts are made of stainless steel AISI 304.

FEATURES: To be assembled at the end of your conveyor to help the products transfer. Easy to assemble, low friction coefficient, minimum noise level, extremely cleanable.

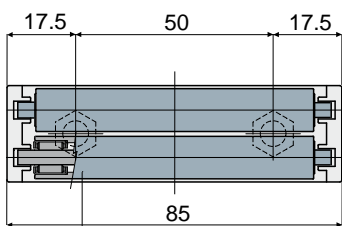
BOX QUANTITY: 8 pieces.

ON REQUEST:

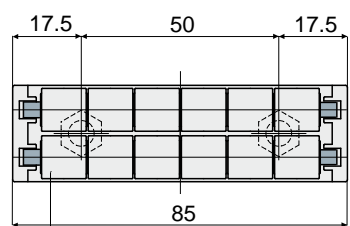
- External module and rollers: Can be produced in other colours.
- Box Quantity: According to your request.

Modular transfer plates without lip (width 85 mm 2 rows of rollers)

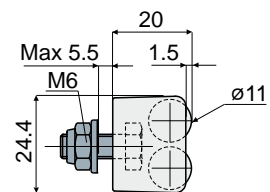
Part. **433**



Rollers made of stainless steel AISI 304



Rollers made of acetal



Rollers made of acetal	Rollers made of stainless steel AISI 304
Code	Code
433 / 85087	433 / 85083

MATERIALS: Modular transfer plate with external module made of acetal grey colour; rollers made of grey acetal or stainless steel AISI 304; pins and fixing nuts are made of stainless steel AISI 304.

FEATURES: To be assembled at the end of your conveyor to help the products transfer. Easy to assemble, low friction coefficient, minimum noise level, extremely cleanable.

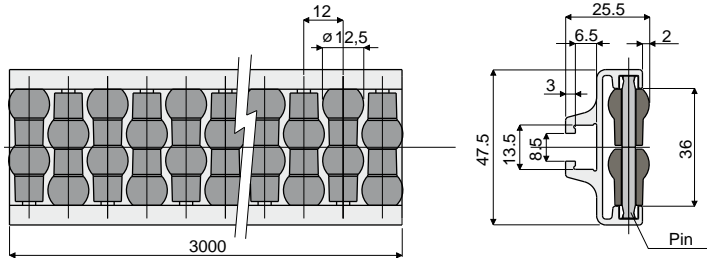
BOX QUANTITY: 8 pieces.

ON REQUEST:

- External module and rollers: Can be produced in other colours.
- Box Quantity: According to your request.

Product guides and accessories

Part. 306 Roller side guide (single type, with pearls)



Pins made of acetal	Pins made of stainless steel AISI 304
Code	Code
306 / 82809	306 / 84548

NEW

MATERIALS: Metal profile in anodized aluminium; rollers in grey polyamide; support pins in white acetal or in stainless steel AISI 304.

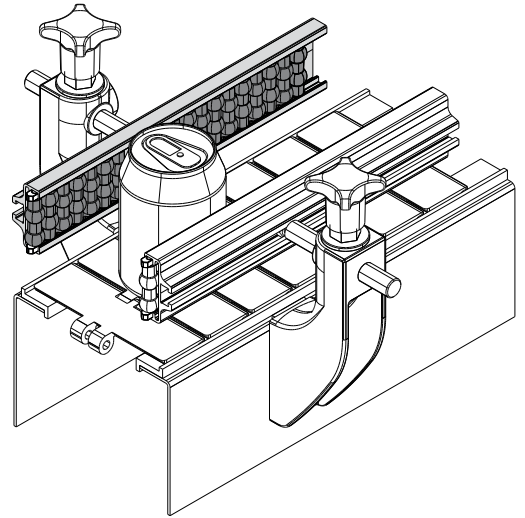
FEATURES: Supplied already assembled, in bars of 3 meters length.
Min. curvature radius: 250 mm.

BOX QUANTITY: 2 bars of 3 meters (total 6 meters).

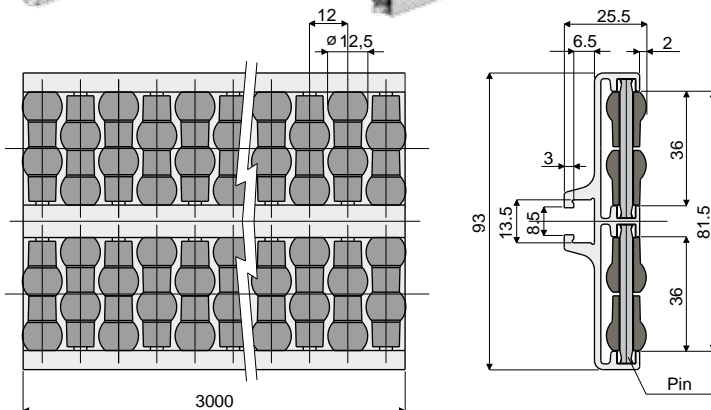
ON REQUEST:

- Roller side guide: Other colours.

Example of application



Part. 307 Roller side guide (double type, with pearls)



Pins made of acetal	Pins made of stainless steel AISI 304
Code	Code
307 / 82810	307 / 84549

NEW

MATERIALS: Metal profile in anodized aluminium; rollers in grey polyamide; support pins in white acetal or in stainless steel AISI 304.

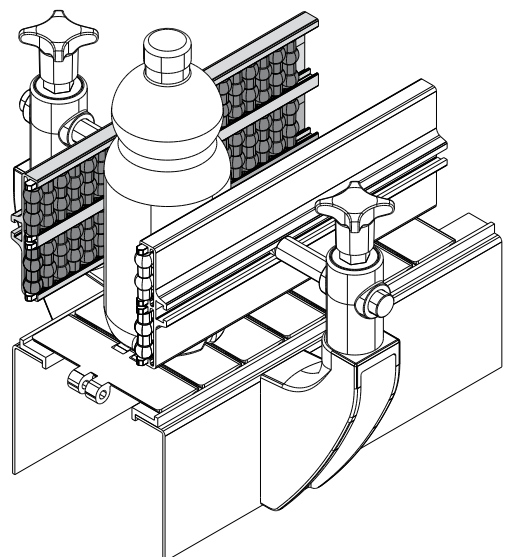
FEATURES: Supplied already assembled, in bars of 3 meters length.
Min. curvature radius: 500 mm.

BOX QUANTITY: 2 bars of 3 meters (total 6 meters).

ON REQUEST:

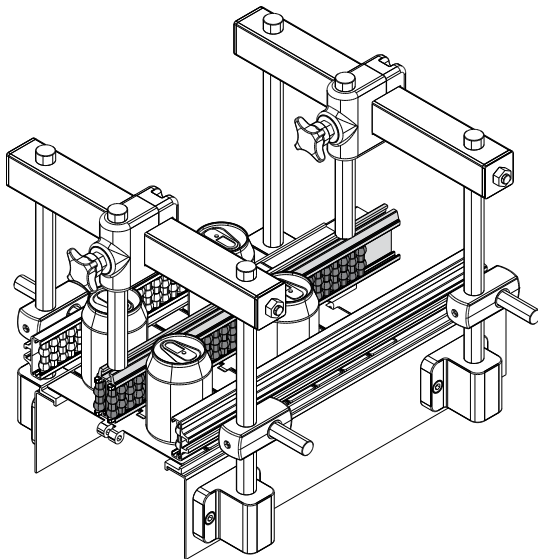
- Roller side guide: Other colours.

Example of application



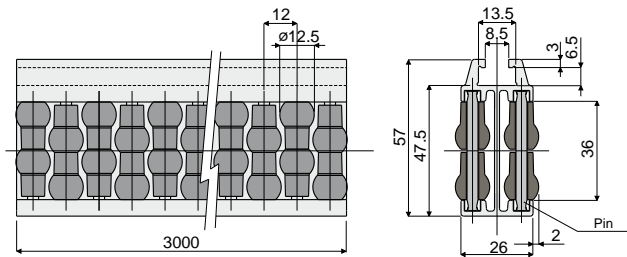
Product guides and accessories

Example of application



Roller central guide (single type, with pearls)

Part. **308**



Pins made of acetal	Pins made of stainless steel AISI 304
Code	Code
308 / 82811	308 / 84550

NEW

MATERIALS: Metal profile in anodized aluminium; rollers in grey polyamide; support pins in white acetal or in stainless steel AISI 304.

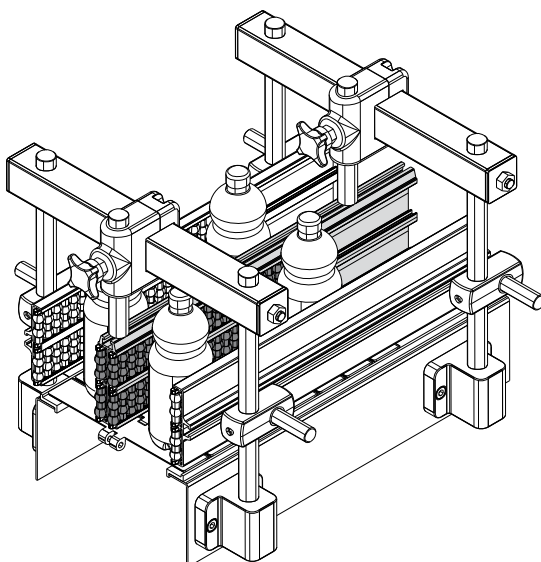
FEATURES: Supplied already assembled, in bars of 3 meters length.
Min. curvature radius: 500 mm.

BOX QUANTITY: 2 bars of 3 meters (total 6 meters).

ON REQUEST:

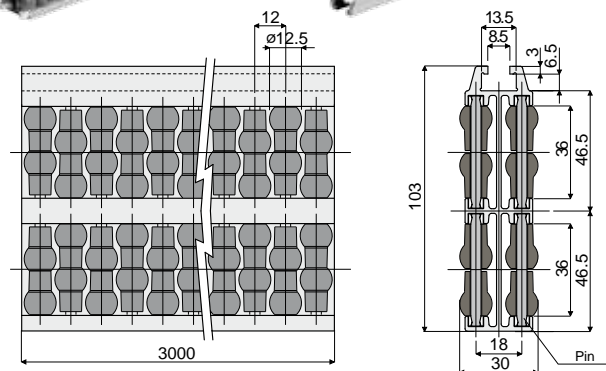
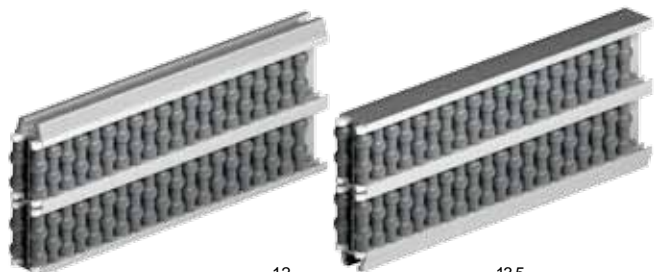
- Roller central guide: Other colours.

Example of application



Roller central guide (double type, with pearls)

Part. **319**



Pins made of acetal	Pins made of stainless steel AISI 304
Code	Code
319 / 82916	319 / 84551

NEW

MATERIALS: Metal profile in anodized aluminium; rollers in grey polyamide; support pins in white acetal or in stainless steel AISI 304.

FEATURES: Supplied already assembled, in bars of 3 meters length.
Min. curvature radius: 750 mm.

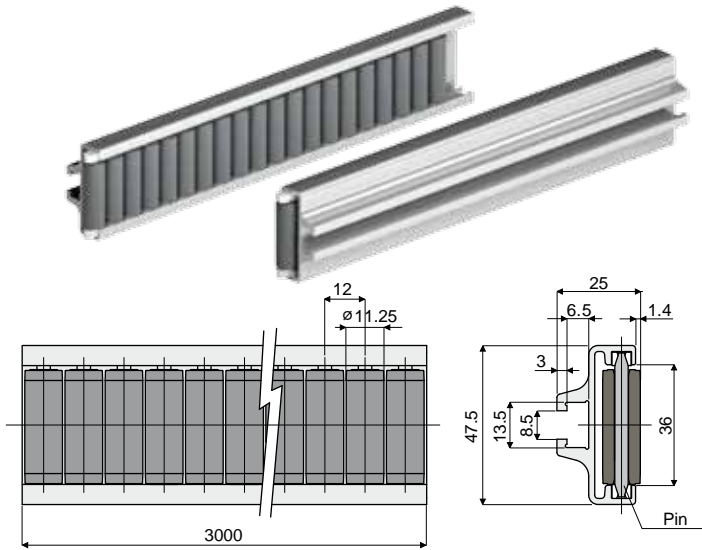
BOX QUANTITY: 2 bars of 3 meters (total 6 meters).

ON REQUEST:

- Roller central guide: Other colours.

Product guides and accessories

Part. 325 Roller side guide (single type, with cylinders)



Pins made of acetal	Pins made of stainless steel AISI 304
Code	Code
325 / 83003	325 / 84552

NEW

MATERIALS: Metal profile in anodized aluminium; rollers in grey polyamide; support pins in white acetal or in stainless steel AISI 304.

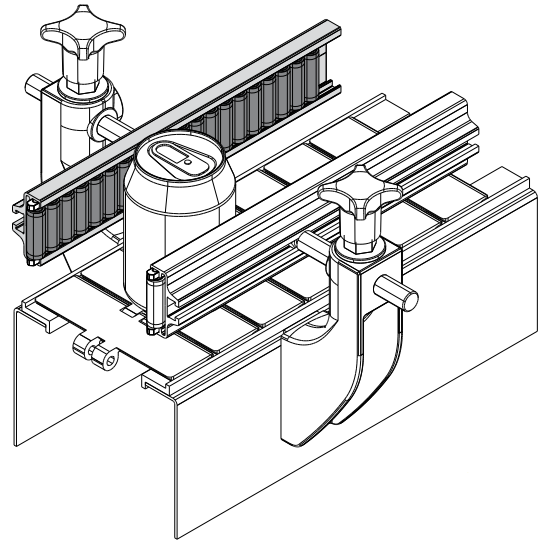
FEATURES: Supplied already assembled, in bars of 3 meters length.
Min. curvature radius: 250 mm.

BOX QUANTITY: 2 bars of 3 meters (total 6 meters).

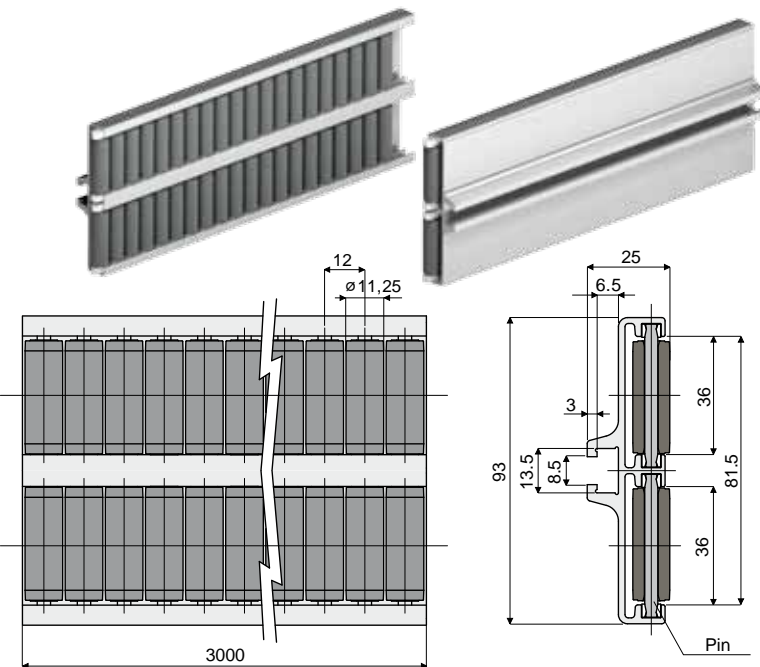
ON REQUEST:

- Roller side guide: Other colours.

Example of application



Part. 326 Roller side guide (double type, with cylinders)



Pins made of acetal	Pins made of stainless steel AISI 304
Code	Code
326 / 83004	326 / 84553

NEW

MATERIALS: Metal profile in anodized aluminium; rollers in grey polyamide; support pins in white acetal or in stainless steel AISI 304.

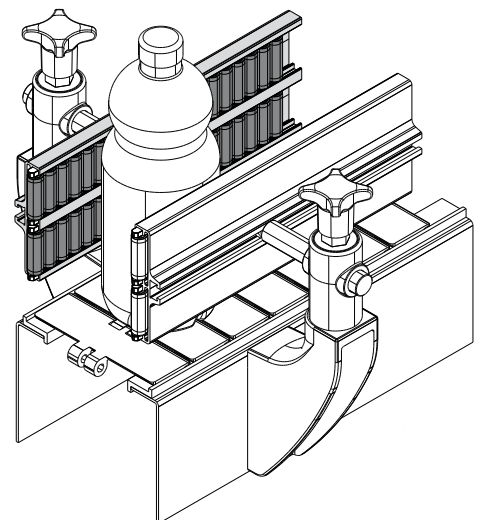
FEATURES: Supplied already assembled, in bars of 3 meters length.
Min. curvature radius: 500 mm.

BOX QUANTITY: 2 bars of 3 meters (total 6 meters).

ON REQUEST:

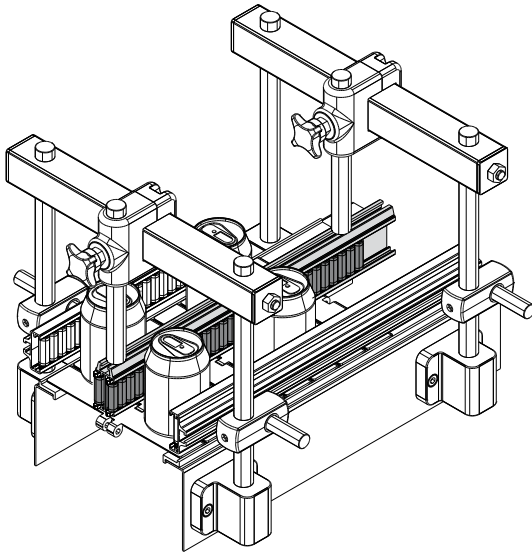
- Roller side guide: Other colours.

Example of application

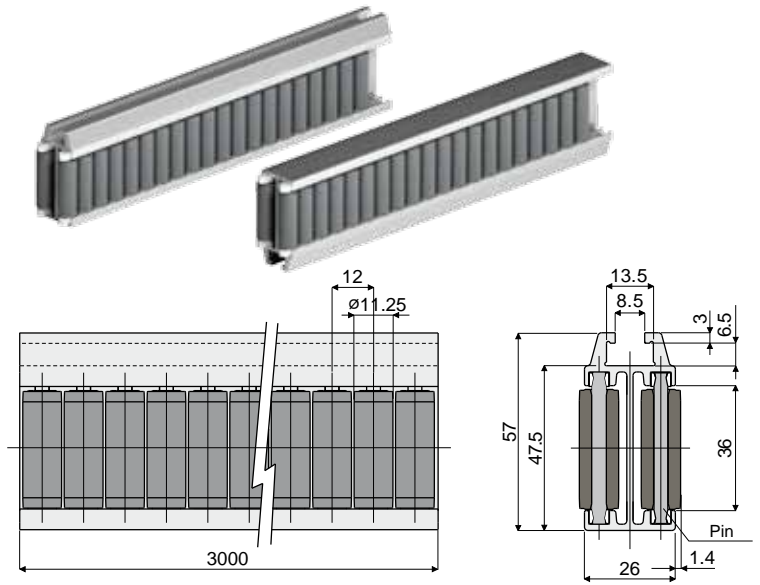


Product guides and accessories

Example of application



Roller central guide (single type, with cylinders) Part. 327



Pins made of acetal	Pins made of stainless steel AISI 304
Code	Code
327 / 83005	327 / 84555

NEW

MATERIALS: Metal profile in anodized aluminium; rollers in grey polyamide; support pins in white acetal or in stainless steel AISI 304.

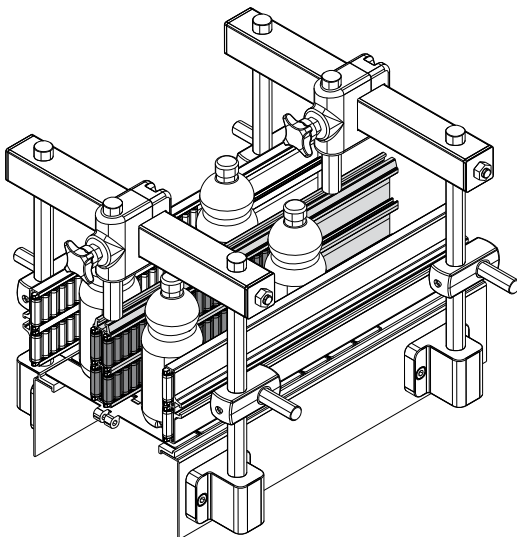
FEATURES: Supplied already assembled, in bars of 3 meters length.
Min. curvature radius: 500 mm.

BOX QUANTITY: 2 bars of 3 meters (total 6 meters).

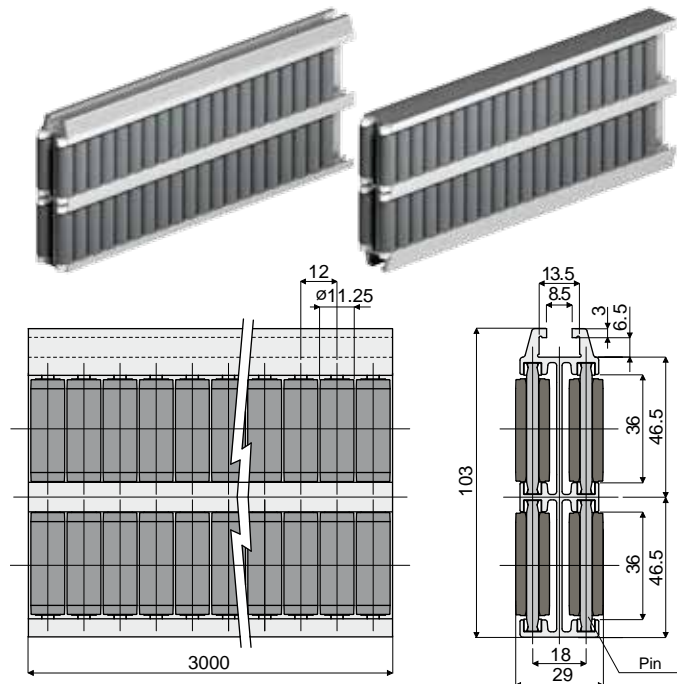
ON REQUEST:

- Roller central guide: Other colours.

Example of application



Roller central guide (double type, with cylinders) Part. 328



Pins made of acetal	Pins made of stainless steel AISI 304
Code	Code
328 / 83006	328 / 84556

NEW

MATERIALS: Metal profile in anodized aluminium; rollers in grey polyamide; support pins in white acetal or in stainless steel AISI 304.

FEATURES: Supplied already assembled, in bars of 3 meters length.
Min. curvature radius: 750 mm.

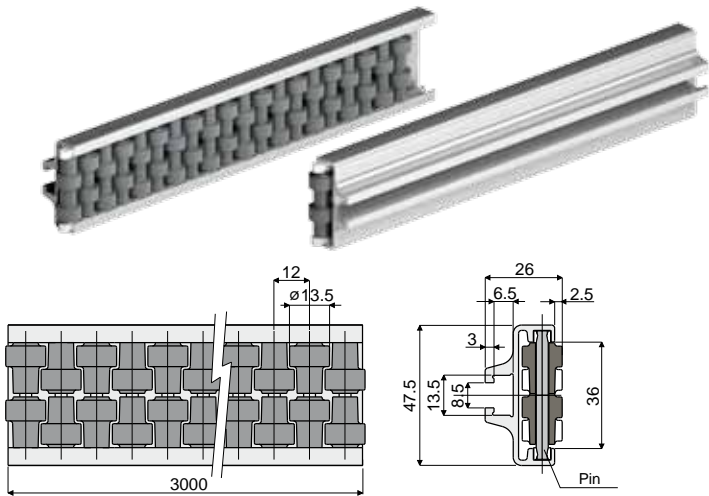
BOX QUANTITY: 2 bars of 3 meters (total 6 meters).

ON REQUEST:

- Roller central guide: Other colours.

Product guides and accessories

Part. 355 Roller side guide (single type, with round rollers)



Pins made of acetal	Pins made of stainless steel AISI 304
Code	Code
355 / 83473	355 / 84557

NEW

MATERIALS: Metal profile in anodized aluminium; rollers in grey polyamide; support pins in white acetal or in stainless steel AISI 304.

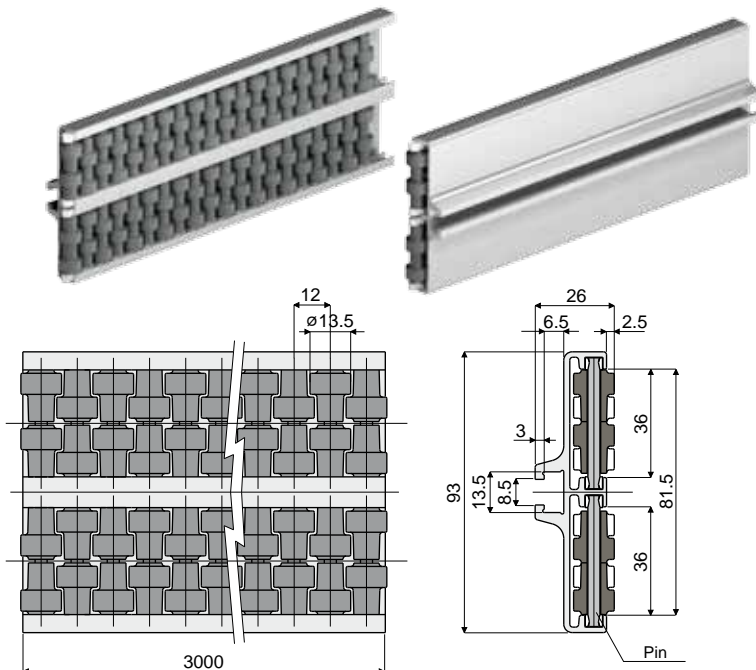
FEATURES: Supplied already assembled, in bars of 3 meters length. Min. curvature radius: 250 mm.

BOX QUANTITY: 2 bars of 3 meters (total 6 meters).

ON REQUEST:

- Roller side guide: Other colours.

Part. 356 Roller side guide (double type, with round rollers)



Pins made of acetal	Pins made of stainless steel AISI 304
Code	Code
356 / 83474	356 / 84558

NEW

MATERIALS: Metal profile in anodized aluminium; rollers in grey polyamide; support pins in white acetal or in stainless steel AISI 304.

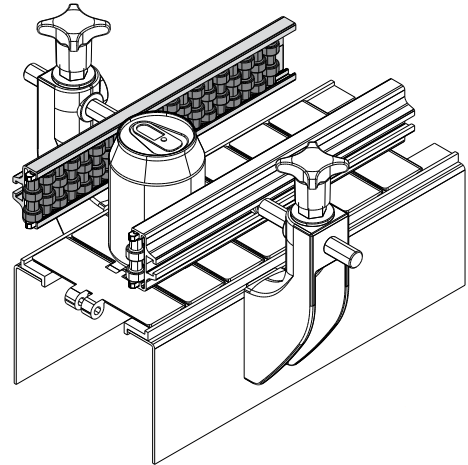
FEATURES: Supplied already assembled, in bars of 3 meters length. Min. curvature radius: 500 mm.

BOX QUANTITY: 2 bars of 3 meters (total 6 meters).

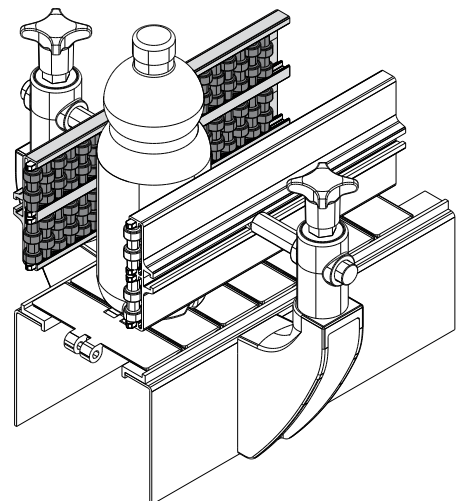
ON REQUEST:

- Roller side guide: Other colours.

Example of application

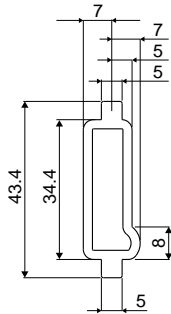


Example of application



Product guides and accessories

Part. 329 Guide profile for products



Code
329 / 83007

MATERIALS: Profile made of natural polyethylene white colour.

FEATURES: Supplied in bars of 3 meters length.

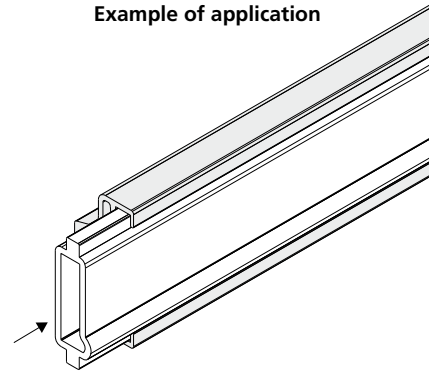
To be used with side guides Part.320, 321, 322, 323.

BOX QUANTITY: 6 bars of 3 meters (total 18 meters).

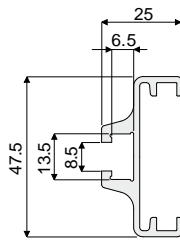
ON REQUEST:

- Box Quantity: According to your request.

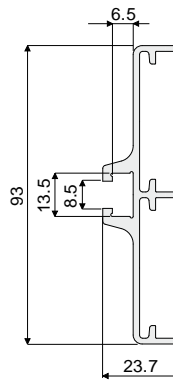
Example of application



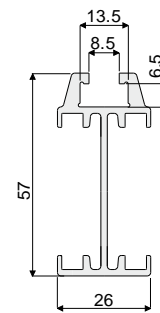
Part. 320 - 321 - 322 - 323 Profiles for guides



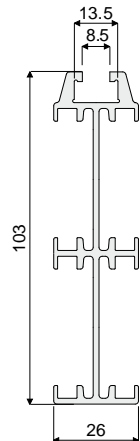
Part.320



Part.321



Part.322



Part.323

Type	Version	Code	Length
Side	Single	320 / 82917	3000
	Double	321 / 82918	3000
Central	Single	322 / 82919	3000
	Double	323 / 82920	3000

MATERIALS: Metal profile in anodized aluminium.

FEATURES: Supplied in bars of 3 meters length.

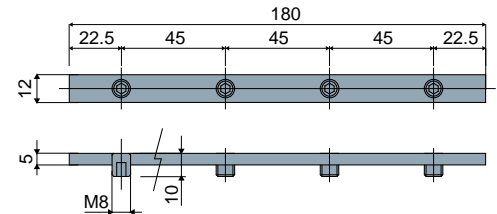
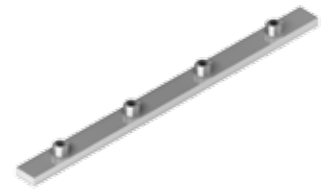
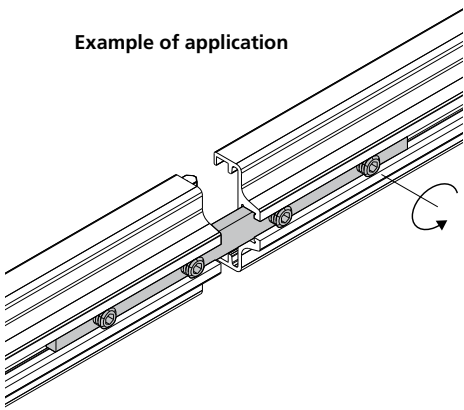
To be used with roller guides Part. 306, 307, 308, 319, 325, 326, 327, 328.

BOX QUANTITY: 2 bars of 3 meters (total 6 meters).

Product guides and accessories

Connecting bar for roller guides Part. **318**

Example of application



Code
318 / 82913

MATERIALS: Bar is made of zinc plated steel supplied with 4 screws M8x10.

FEATURES: To be used for connecting the metal profiles of Part. 306, 307, 308, 319, 325, 326, 327, 328, 320, 321, 322, 323.

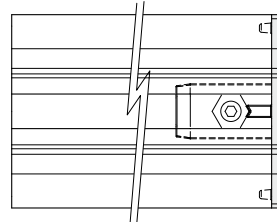
BOX QUANTITY: 8 pieces.

ON REQUEST:

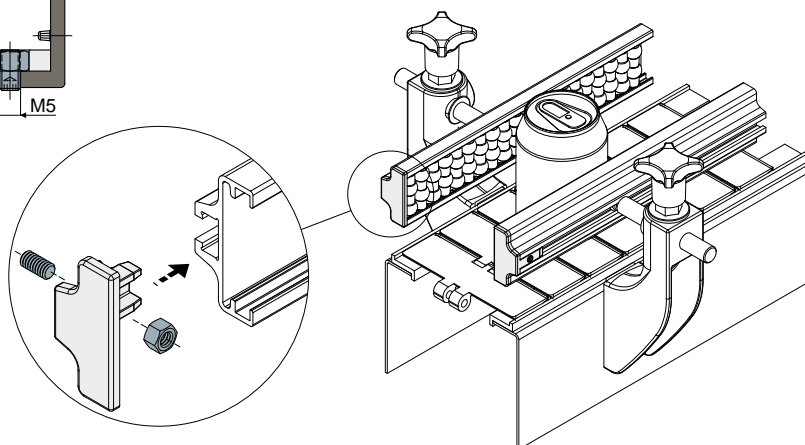
- Box Quantity: According to your request.

Closing cap Part. **415** (for roller side guide, single type)

Example of application



Example of application



Code
415 / 84547

MATERIALS: Cap in reinforced polyamide grey colour; nut and grub screw in stainless steel AISI 304.

FEATURES: To be used as a closure cap at the extremities of the roller side guides: Part.306, 325, 355, 320.

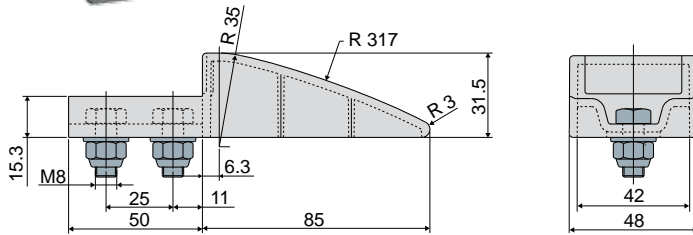
BOX QUANTITY: 24 pieces.

ON REQUEST:

- Assembling of: Nuts and grub screws.
- Box quantity: According to your request.

Product guides and accessories

Part. 340 Separation Block for roller side guide (single type)



Code
340 / 83357

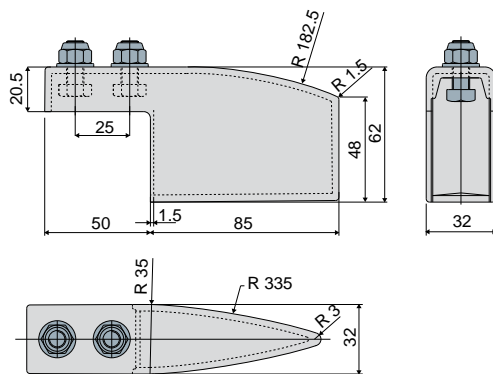
MATERIALS: Separation block is made of polyethylene, grey colour; bolts and nuts in stainless steel AISI 304.
FEATURES: Supplied complete with bolts and nuts. To be used at the end of the roller side guides (Part.306, 325, 355, 320), to help the arrival of the products.

BOX QUANTITY: 8 pieces.

ON REQUEST:

- Separation blocks: Other colours.
- Box Quantity: According to your request

Part. 341 Separation Block for roller central guide (single type)



Code
341 / 83359

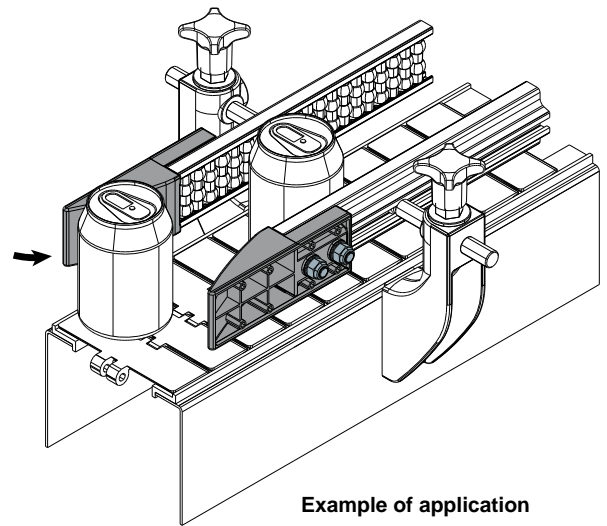
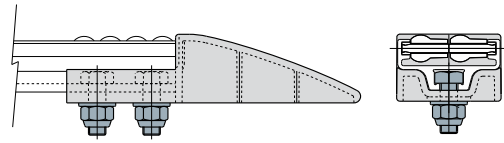
MATERIALS: Separation block is made of polyethylene, grey colour; bolts and nuts in stainless steel AISI 304.
FEATURES: Supplied complete with bolts and nuts. To be used at the end of the roller side guides (Part.308, 327, 357, 322), to help the arrival of the products.

BOX QUANTITY: 8 pieces.

ON REQUEST:

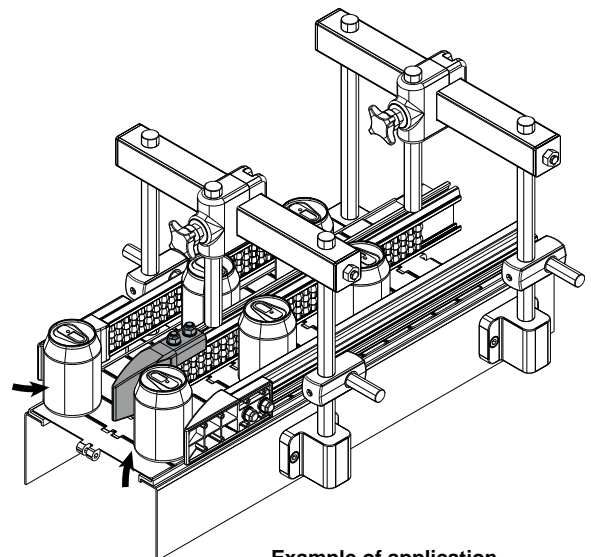
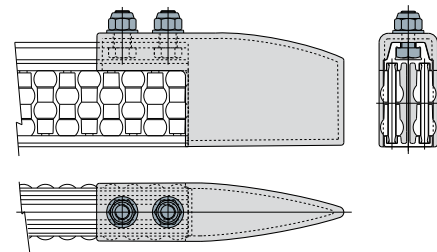
- Separation blocks: Other colours.
- Box Quantity: According to your request

Example of application



Example of application

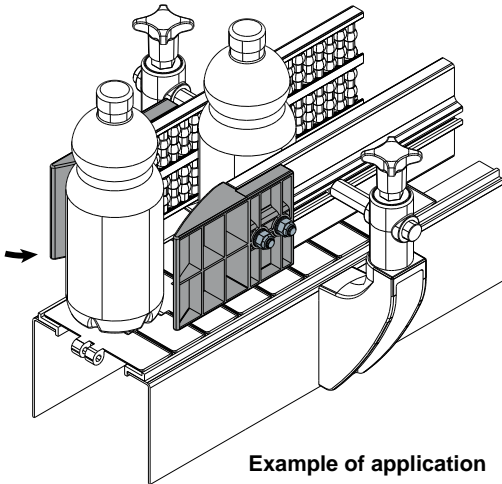
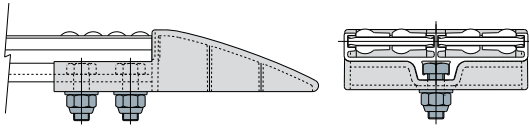
Example of application



Example of application

Product guides and accessories

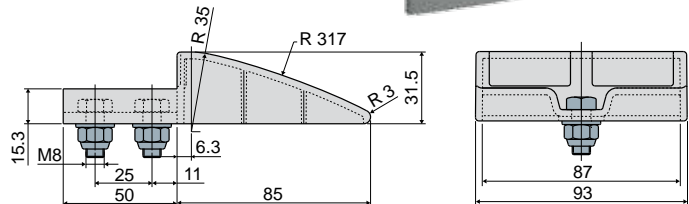
Example of application



Example of application

Separation Block for roller side guide (double type)

Part. **342**



Code
342 / 83361

MATERIALS: Separation block is made of polyethylene, grey colour; bolts and nuts in stainless steel AISI 304.

FEATURES: Supplied complete with bolts and nuts. To be used at the end of the roller side guides (Part.307, 326, 356, 321), to help the arrival of the products.

BOX QUANTITY: 8 pieces.

ON REQUEST:

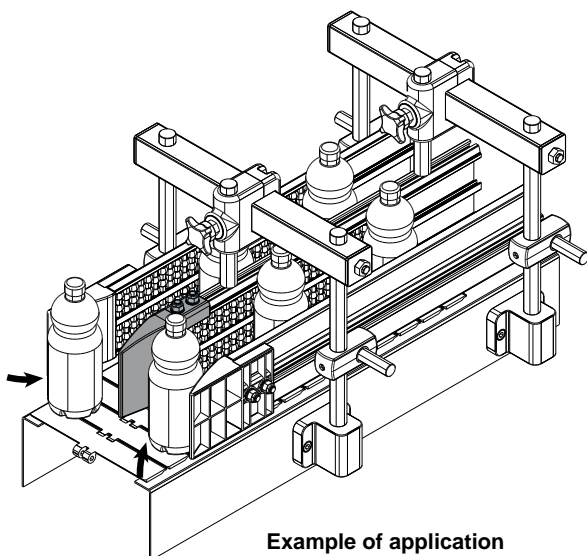
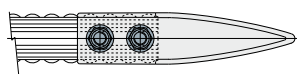
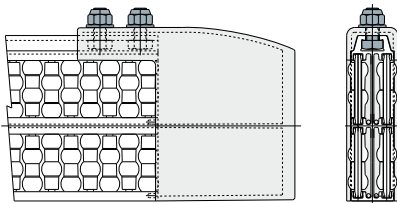
- Separation blocks: Other colours.
- Box Quantity: According to your request

Separation Block for roller central guide (double type)

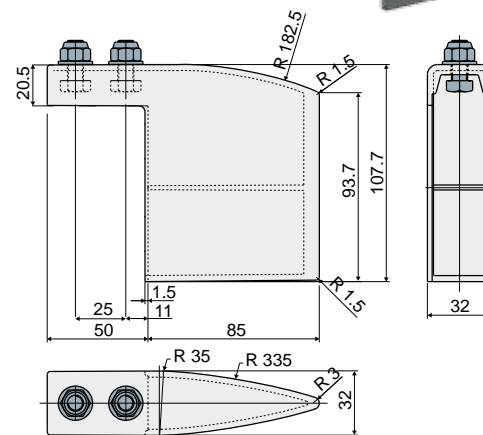
Part. **343**



Example of application



Example of application



Code
343 / 83363

MATERIALS: Separation block is made of polyethylene, grey colour; bolts and nuts in stainless steel AISI 304.

FEATURES: Supplied complete with bolts and nuts.

To be used at the end of the roller side guides (Part.319, 328, 358, 323), to help the arrival of the products.

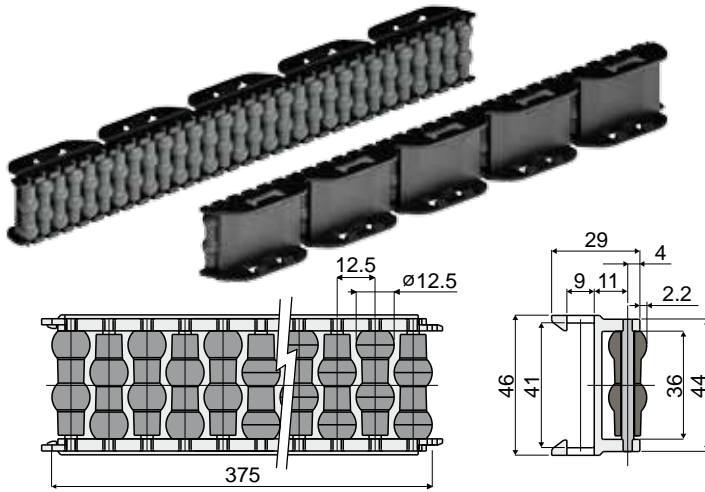
BOX QUANTITY: 8 pieces.

ON REQUEST:

- Separation blocks: Other colours.
- Box Quantity: According to your request

Product guides and accessories

Part. **345** Roller side guide (375 mm modules with pearls)



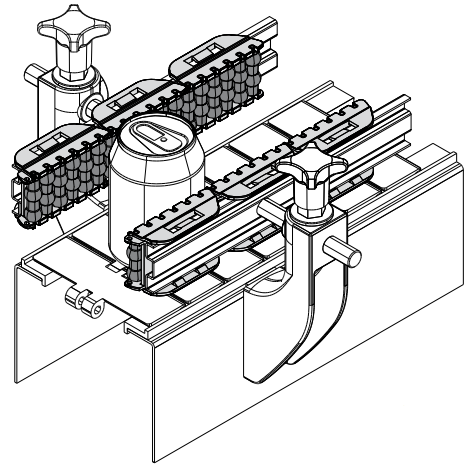
Code

345 / 83380

MATERIALS: Rollers in polyamide grey colour; support pins and modules in acetal resin black colour.
FEATURES: Supplied already assembled, in modules of 375 mm length, for 40x8 mm plate. Min. curvature radius: ext = 500 mm; int. = 350 mm.
BOX QUANTITY: 12 pieces.
ON REQUEST:

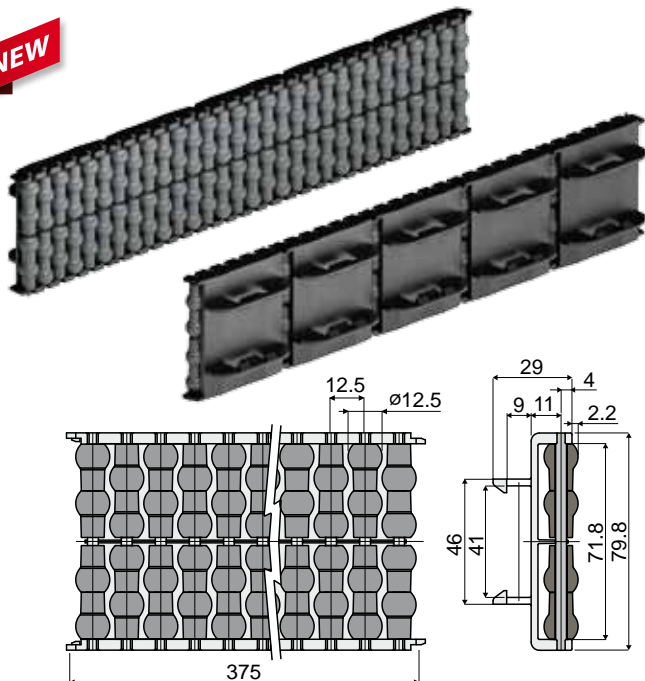
- Module and rollers: Can be produced in other colours.
- Pins: In stainless steel.
- Box quantity: According to your request.

Example of application



Part. **423** Roller side guide (double type 375 mm modules, with pearls)

NEW



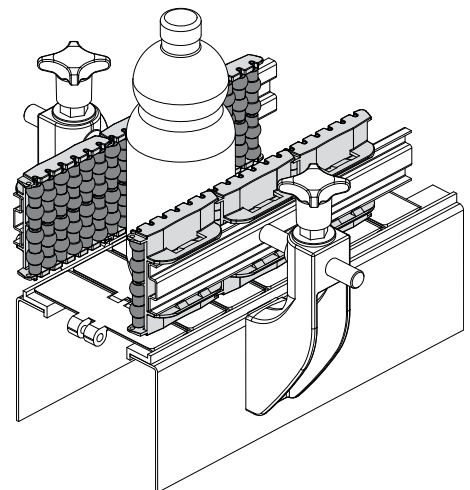
Code

423 / 84818

MATERIALS: Rollers in polyamide grey colour; support pins and modules in acetal resin black colour.
FEATURES: Supplied already assembled, in modules of 375 mm length, for 40x8 mm plate. Min. curvature radius: ext = 500 mm; int. = 350 mm.
BOX QUANTITY: 12 pieces.
ON REQUEST:

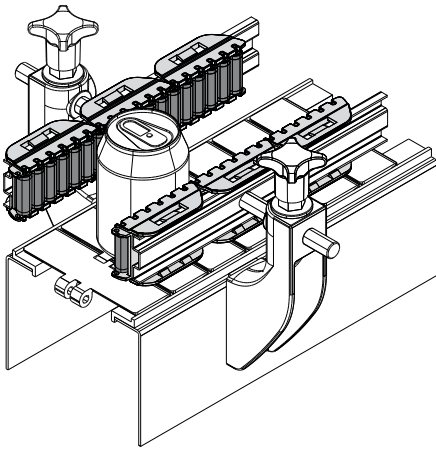
- Module and rollers: Can be produced in other colours.
- Pins: In stainless steel.
- Box quantity: According to your request.

Example of application



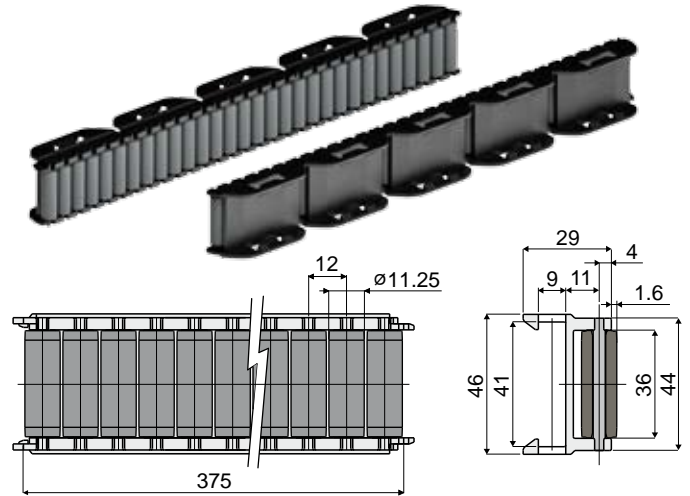
Product guides and accessories

Example of application



Roller side guide (375 mm modules, with cylinders)

Part. **339**



Code
339 / 83319

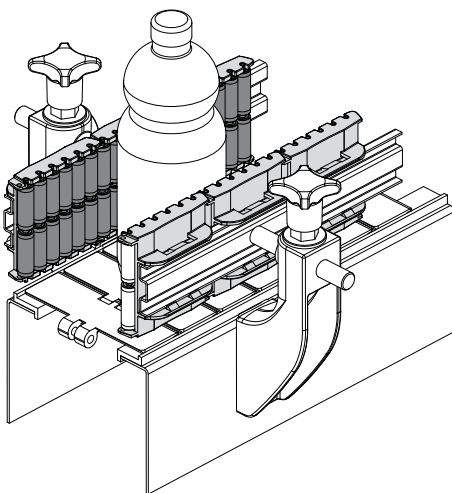
MATERIALS: Rollers in polyamide grey colour; support pins and modules in acetal resin black colour.
FEATURES: Supplied already assembled, in modules of 375 mm length, for 40x8 mm plate. Min. curvature radius: ext = 500 mm; int. = 350 mm.

BOX QUANTITY: 12 pieces.

ON REQUEST:

- Module and rollers: can be produced in other colours.
- Pins: In stainless steel.
- Box quantity: According to your request.

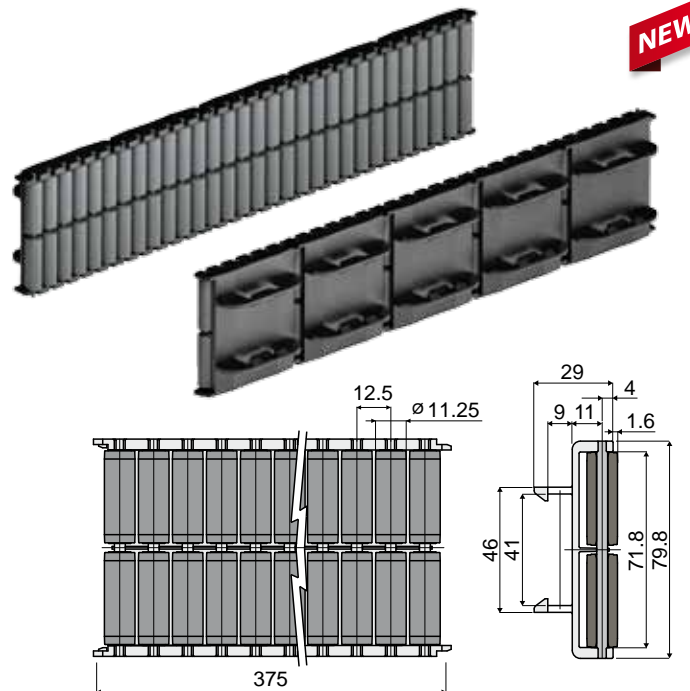
Example of application



Roller side guide (double type 375 mm modules, with cylinders)

Part. **422**

NEW



Code
422 / 84817

MATERIALS: Rollers in polyamide grey colour; support pins and modules in acetal resin black colour.
FEATURES: Supplied already assembled, in modules of 375 mm length, for 40x8 mm plate. Min. curvature radius: ext = 500 mm; int. = 350 mm.

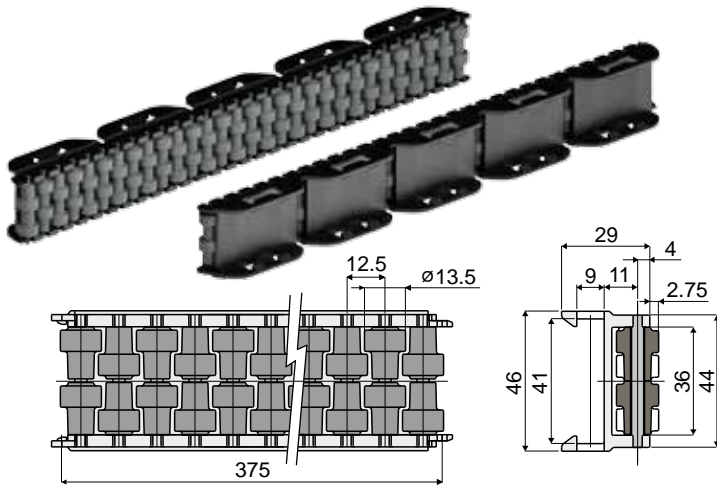
BOX QUANTITY: 12 pieces.

ON REQUEST:

- Module and rollers: Can be produced in other colours.
- Pins: In stainless steel.
- Box quantity: According to your request.

Product guides and accessories

Part. **344** Roller side guide (375 mm modules with small cylinders)

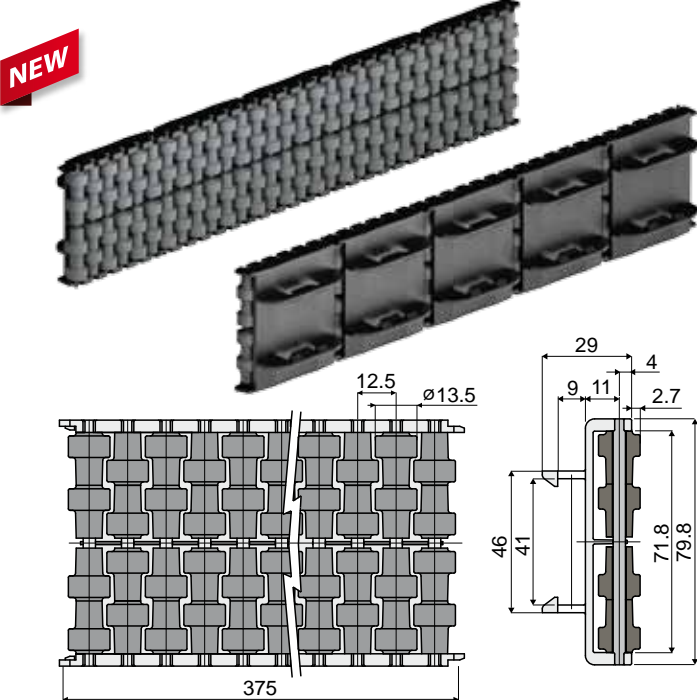


Code
344 / 83372

MATERIALS: Rollers in polyamide grey colour; support pins and modules in acetal resin black colour.
FEATURES: Supplied already assembled, in modules of 375 mm length, for 40x8 mm plate. Min. curvature radius: ext = 500 mm; int. = 350 mm
BOX QUANTITY: 12 pieces.
ON REQUEST:

- Module and rollers: can be produced in other colours.
- Pins: In stainless steel.
- Box quantity: According to your request.

Part. **421** Roller side guide (double type 375 mm modules, with small cylinders)

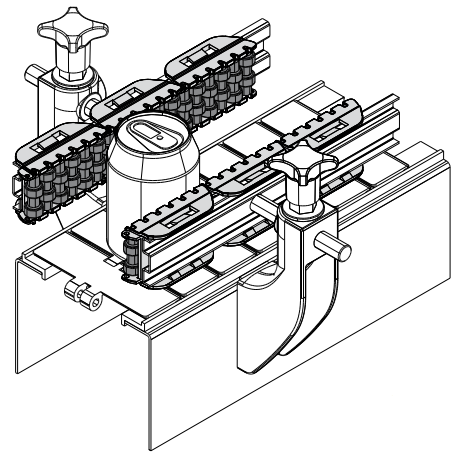


Code
421 / 84816

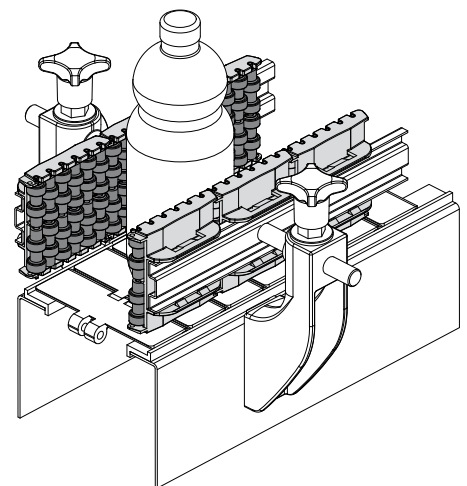
MATERIALS: Rollers in polyamide grey colour; support pins and modules in acetal resin black colour.
FEATURES: Supplied already assembled, in modules of 375 mm length, for 40x8 mm plate. Min. curvature radius: ext = 500 mm; int. = 350 mm.
BOX QUANTITY: 12 pieces.
ON REQUEST:

- Module and rollers: Can be produced in other colours.
- Pins: In stainless steel.
- Box quantity: According to your request.

Example of application

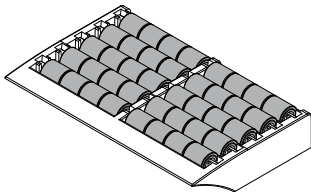


Example of application



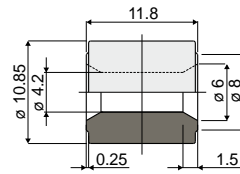
Product guides and accessories

Example of application



Roller for transfer plates

(for Part. 257, 258, 259, 260, 261, 262, 416, 417, 430, 431, 432, 433)



Part. **388**



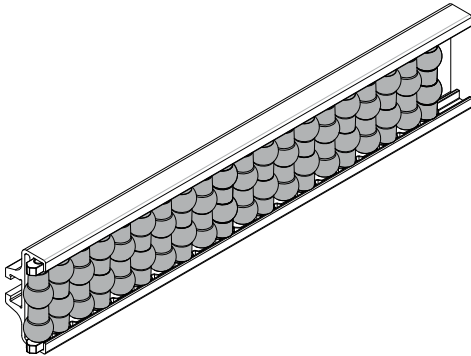
Code
388 / 84131

MATERIALS: Roller made of acetalic resin, grey colour.
BOX QUANTITY: 480 pieces.

ON REQUEST:

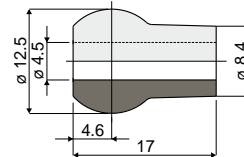
- Rollers: In different colors.
- Box quantities: According to your request.

Example of application



Roller for roller guides

(for Part. 306, 307, 308, 319, 345, 423)



Part. **393**



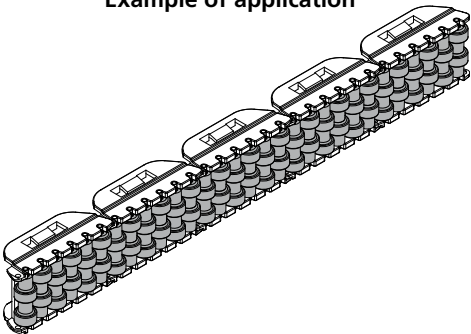
Code
393 / 84182

MATERIALS: Roller made of acetalic resin, grey colour.
BOX QUANTITY: 480 pieces.

ON REQUEST:

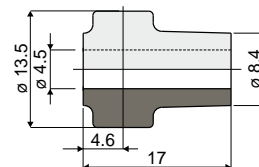
- Rollers: In different colors.
- Box quantities: According to your request.

Example of application



Roller for roller guides

(for Part. 344, 355, 356, 357, 358, 421)



Part. **394**



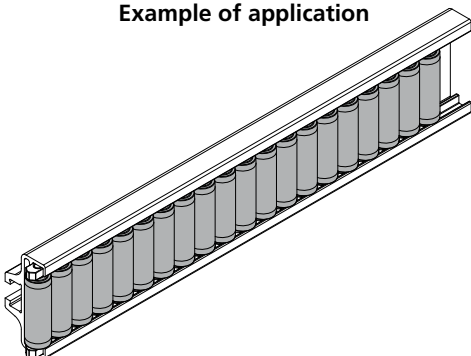
Code
394 / 84183

MATERIALS: Roller made of acetalic resin, grey colour.
BOX QUANTITY: 480 pieces.

ON REQUEST:

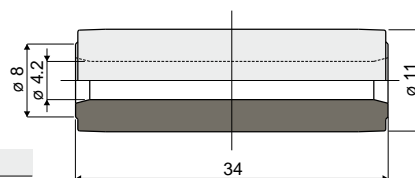
- Rollers: In different colors.
- Box quantities: According to your request.

Example of application



Roller for roller guides

(for Part. 325, 326, 327, 328, 339, 422)



Part. **395**



Code
395 / 84185

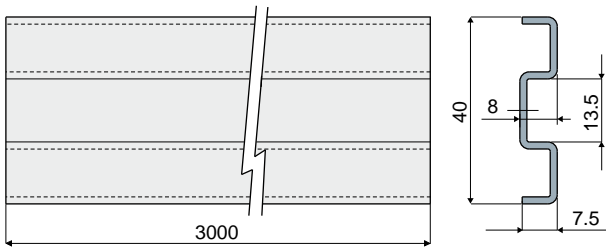
MATERIALS: Roller made of acetalic resin, grey colour.
BOX QUANTITY: 480 pieces.

ON REQUEST:

- Rollers: In different colors.
- Box quantities: According to your request.

Product guides and accessories

Part. 330 Profiles for side guides

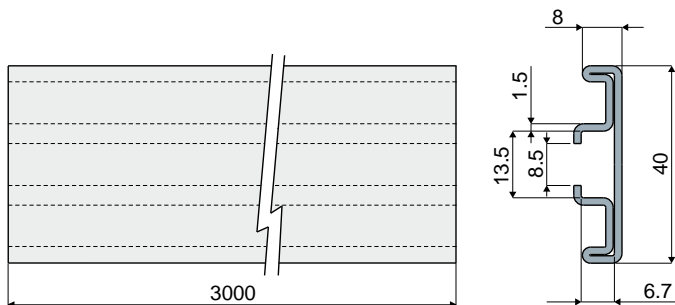


Stainless steel AISI 304	Stainless steel AISI 430
Code	Code
330 / 83089	330 / 83021

MATERIALS: Profiles in stainless steel AISI 430 or AISI 304.
FEATURES: Supplied in bars of 3 meters length.
 To be used with side guide Part.345, 423, 339, 422, 344, 421.
BOX QUANTITY: 2 bars of 3 meters (total 6 meters).
ON REQUEST:

- Box Quantity: According to your request.

Part. 375 Profile for side guides

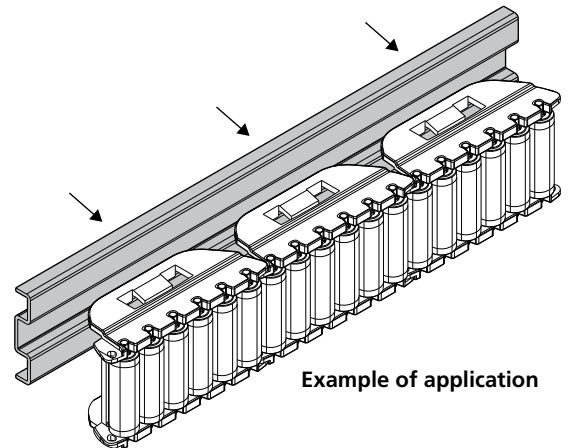
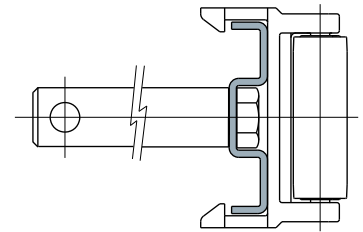


Code
375 / 83890

MATERIALS: Profiles in stainless steel AISI 304.
FEATURES: Supplied in lengths of 3 meters.
 To be used with side guide Part.345, 423, 339, 422, 344, 421.
BOX QUANTITY: 2 lengths of 3 meters each (total 6 meters).
ON REQUEST:

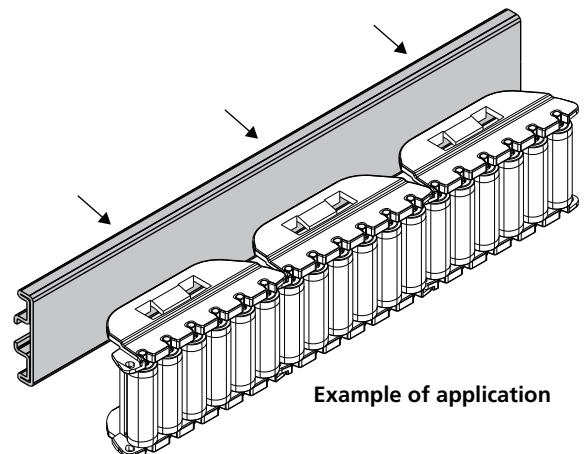
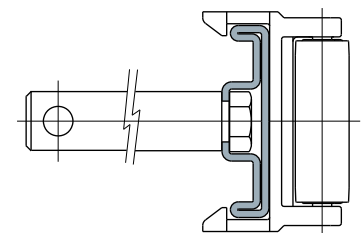
- Box Quantity: According to your request.

Example of application



Example of application

Example of application



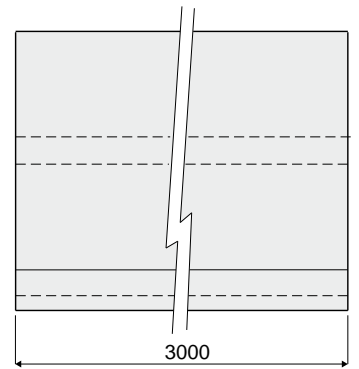
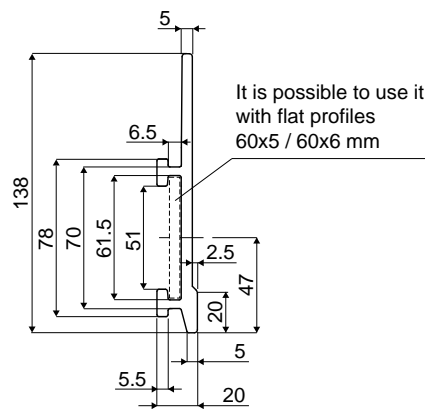
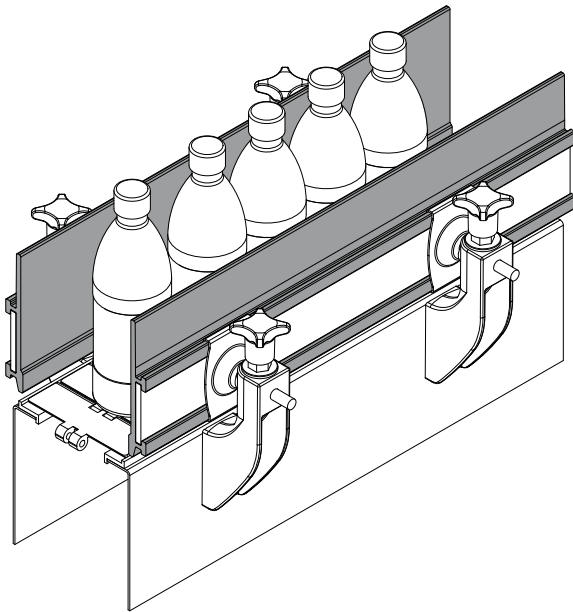
Example of application

Product guides and accessories

Profile Part. 425

(for the product side guide)

Example of application



Code	Colour	L
425 / 84998	Black	3 Mt.
425 / 84999	Black	6 Mt.
425 / 85000	Blue (RAL 5005)	3 Mt.
425 / 85001	Blue (RAL 5005)	6 Mt.

MATERIALS: Profile in HMWPE.

FEATURES: Supplied in lengths of 3 or 6 Mt., to be assembled with clamps part. 427, 434.

BOX QUANTITY: 2 lengths of 6 Mt (total 12 Mt), or 2 lengths of 3 Mt (total 6 Mt.).

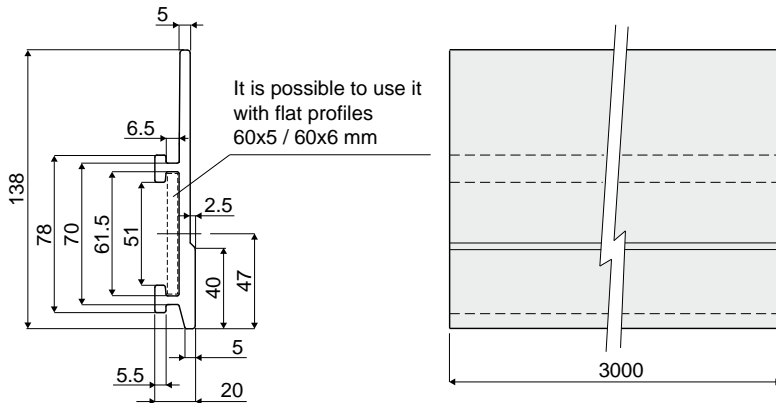
ON REQUEST:

- Profiles: In different colours and sizes.
- Box quantities: According to your request.

Product guides and accessories

Part. 426 Profile (for the product side guide)

NEW



Code	Colour	L
426 / 84994	Black	3 Mt.
426 / 84995	Black	6 Mt.
426 / 84996	Blue (Ral 5005)	3 Mt.
426 / 84997	Blue (Ral 5005)	6 Mt.

MATERIALS: Profile in HMWPE.

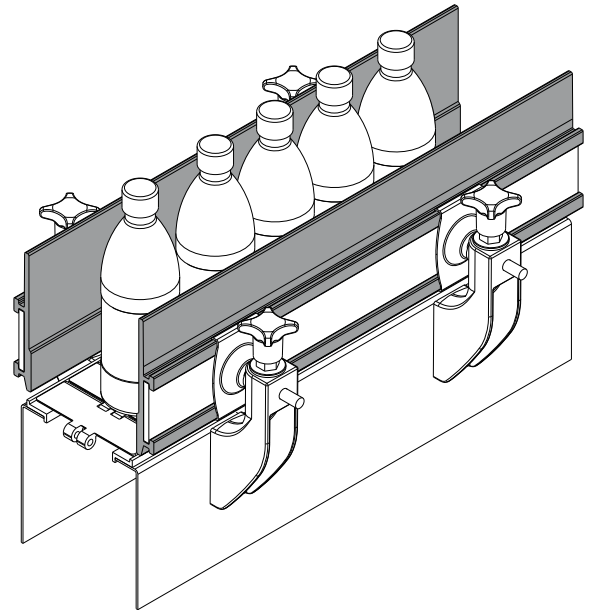
FEATURES: Supplied in lengths of 3 or 6 Mt., to be assembled with clamps part. 427, 434.

BOX QUANTITY: 2 lengths of 6 Mt (total 12 Mt), or 2 lengths of 3 Mt (total 6 Mt.).

ON REQUEST:

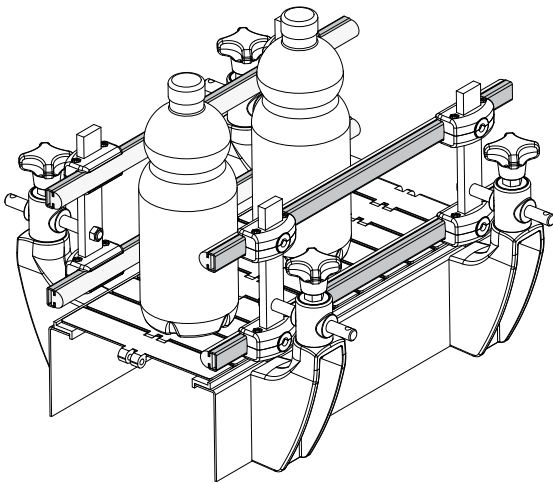
- Profiles: In different colours and sizes.
- Box quantities: According to your request.

Example of application



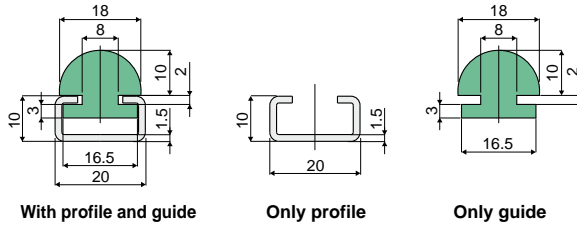
Product guides and accessories

Example of application



Guide rail (round) (with metal profile)

Part. **373**



Length	With profile and guide	
	Metal profile in zinc plated steel Code	Metal profile in stainless steel AISI 304 Code
3 Mt.	373 / 83732	373 / 83733
6 Mt.	373 / 83734	373 / 83735

Length	Only profile	
	Metal profile in zinc plated steel Code	Metal profile in stainless steel AISI 304 Code
3 Mt.	373 / 83879	373 / 84303

Length	Only guide Code
	3 Mt.

Materials: Extruded HMWPE green colour, metal profile in stainless steel AISI 304 or zinc plated.

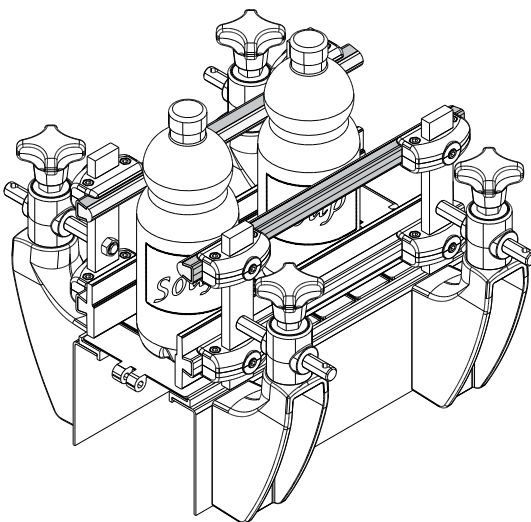
Standard Packing:

- 3 Mt. lengths version: This item is sold in Mt. - min. 6 Mt. (2 lengths);
- 6 Mt. lengths version: This item is sold in Mt. - min. 12 Mt. (2 lengths).

On request:

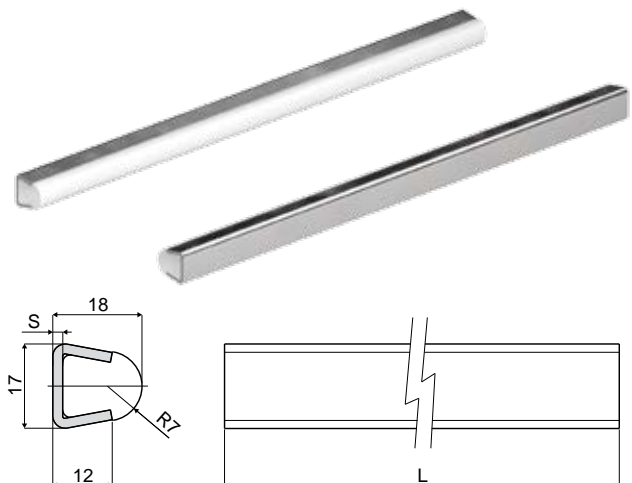
- Guide rails: Different colours and lengths.

Example of application



Guide rail (round) (with metal profile)

Part. **354**



Code	S	L
354 / 84198	1,5	6000
354 / 84199	1,5	3000
354 / 83442	2	6000
354 / 83626	2	3000

MATERIALS: Plastic profile in polyethylene natural colour; metal profile in stainless steel AISI 304.

FEATURES: Supplied already assembled in lengths of 3 or 6 meters.

BOX QUANTITY: 2 bars of 6 mts. (total 12 mts.), or 2 bars of 3 mts. (total 6 mts.).

ON REQUEST:

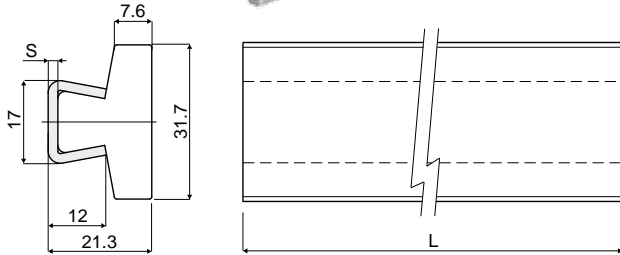
- Box Quantity: According to your request.

Product guides and accessories

Part. 420

Side guide rail, flat type (with metal profile)

NEW



Code	S	L
420 / 84808	1,5	6000
420 / 84810	1,5	3000
420 / 84809	2	6000
420 / 84811	2	3000

MATERIALS: Guide profile in natural polyethylene; metal profile in stainless steel AISI 304.

FEATURES: Supplied in lengths of 3 or 6 Mt.

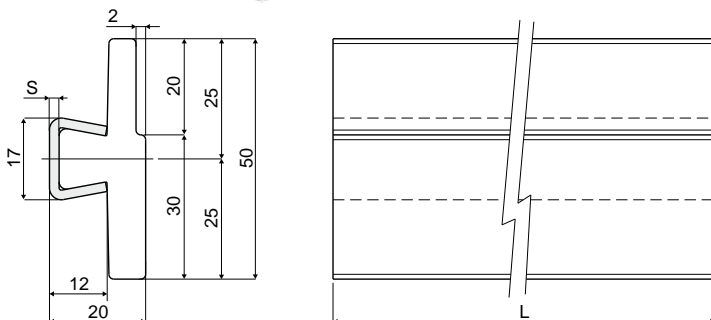
BOX QUANTITY: 2 lengths of 6 Mt (total 12 Mt), or 2 lengths of 3 Mt (total 6 Mt.).

ON REQUEST:

- Box quantities: According to your request.

Part. 353

Guide rail (with metal profile)



Code	S	L
353 / 84196	1,5	6000
353 / 84197	1,5	3000
353 / 83441	2	6000
353 / 83881	2	3000

MATERIALS: Plastic profile in polyethylene natural colour; metal profile in stainless steel AISI 304.

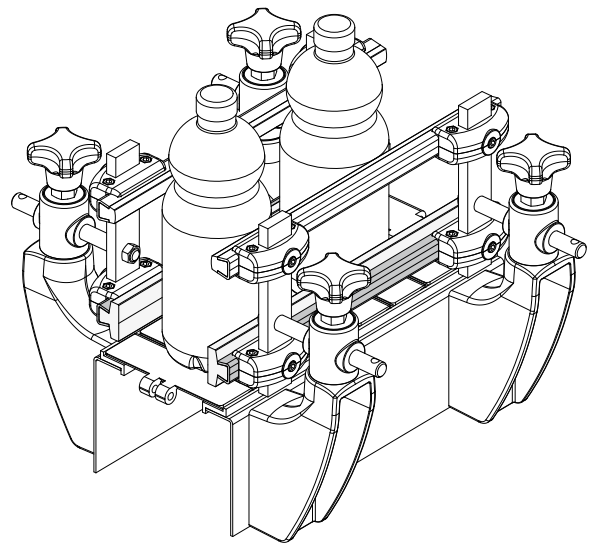
FEATURES: Supplied already assembled in lengths of 3 or 6 meters.

BOX QUANTITY: 2 bars of 6 mts. (total 12 mts.), or 2 bars of 3 mts. (total 6 mts.).

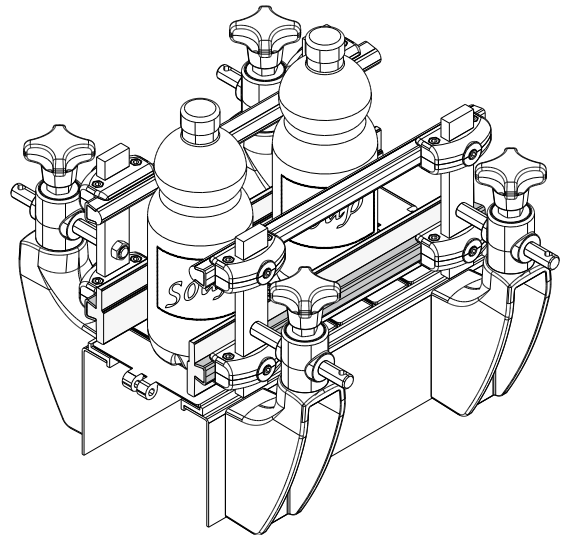
ON REQUEST:

- Box Quantity: According to your request.

Example of application



Example of application

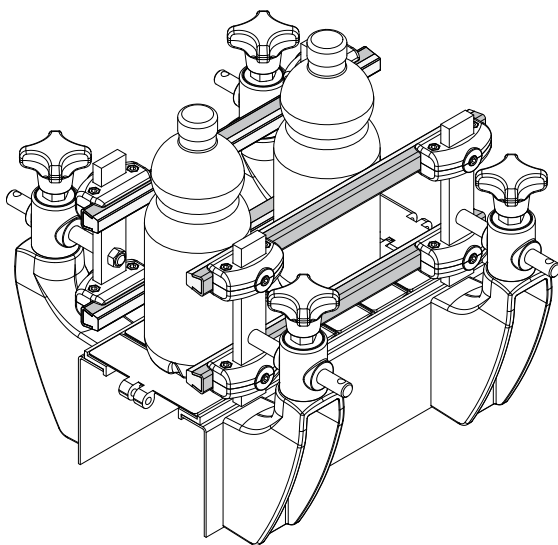


Product guides and accessories

Guide rail for high temperatures (with metal profile)

Part. **377**

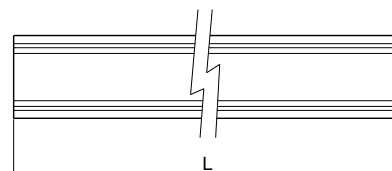
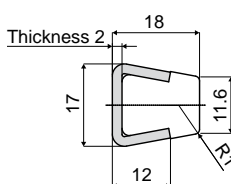
Example of application



High temperatures resistant



Operating temperatures up to 260°C



Code	L
377 / 83973	3000

MATERIALS: Guide profile in PTFE (Teflon) natural colour; metal profile in stainless steel AISI 304.

FEATURES: To be used in every application where the resistance to the high temperatures is needed; for example: ovens, fryers, filling areas with high temperature, steam rooms, kitchens etc. Supplied in 3 meters lengths.

BOX QUANTITY: 2 bars of 3 meters (total 6 meters).

ON REQUEST:

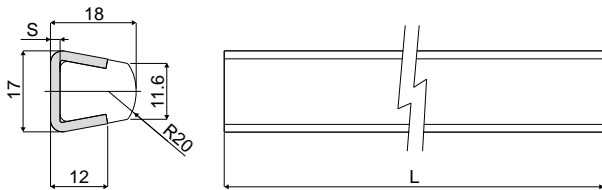
- Metal profiles: Thickness 1,5 mm.
- Box quantities: According to your request.

Product guides and accessories

Part. **419**

Product guide rail
(with metal profile)

NEW



Code	S	L
419 / 84804	1,5	6000
419 / 84806	1,5	3000
419 / 84805	2	6000
419 / 84807	2	3000

MATERIALS: Guide profile in natural polyethylene; metal profile in stainless steel AISI 304.

FEATURES: Supplied in lengths of 3 or 6 Mt.

BOX QUANTITY: 2 lengths of 6 Mt (total 12 Mt), or 2 lengths of 3 Mt (total 6 Mt.).

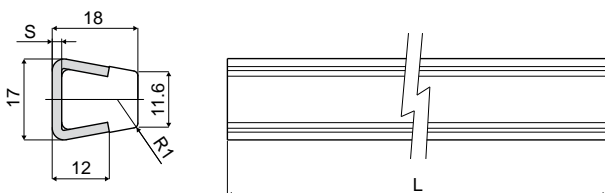
ON REQUEST:

- Box quantities: According to your request.

Part. **418**

Product guide rail
(with metal profile)

NEW



Code	S	L
418 / 84800	1,5	6000
418 / 84802	1,5	3000
418 / 84801	2	6000
418 / 84803	2	3000

MATERIALS: Guide profile in natural polyethylene; metal profile in stainless steel AISI 304.

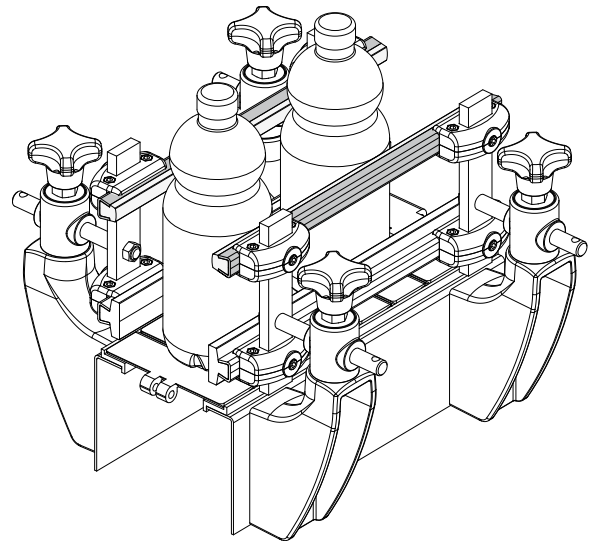
FEATURES: Supplied in lengths of 3 or 6 Mt.

BOX QUANTITY: 2 lengths of 6 Mt (total 12 Mt), or 2 lengths of 3 Mt (total 6 Mt.).

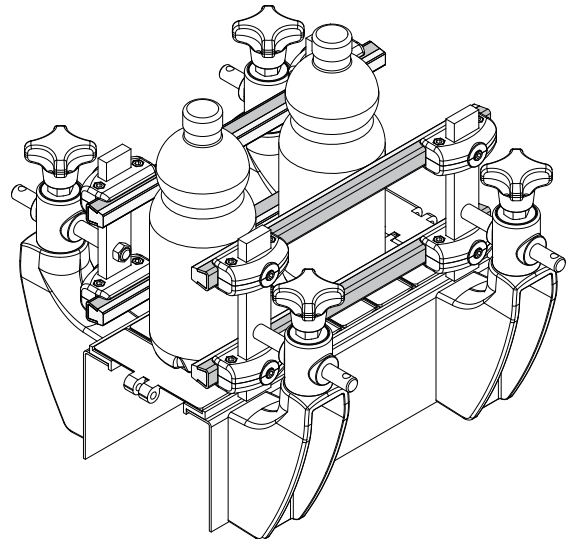
ON REQUEST:

- Box quantities: According to your request.

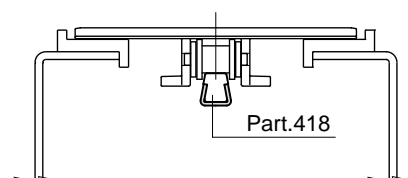
Example of application



Example of application



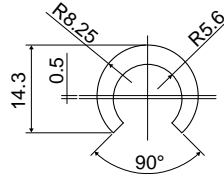
Example of application



Product guides and accessories

Extruded product guide rails in coils of 50 Mt.

Part. **370**



Code

370 / 83726

Materials: Extruded HMWPE white colour.

Standard Packing: This item is sold in Mt. - min. 50 Mt.

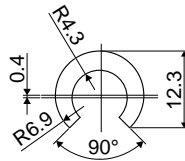
Features: To be used with 10 mm diameter rods.

On request:

- Guide rails: Different colours and lengths.

Extruded product guide rails in coils of 50 Mt.

Part. **371**



Code

371 / 83727

Materials: Extruded HMWPE white colour.

Standard Packing: This item is sold in Mt. - min. 50 Mt.

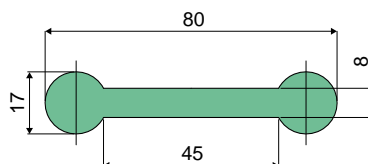
Features: To be used with 8 mm diameter rods.

On request:

- Guide rails: Different colours and lengths.

Extruded product guide rails in 6 Mt. lengths

Part. **372**



Code

372 / 83728

Materials: Extruded HMWPE green colour.

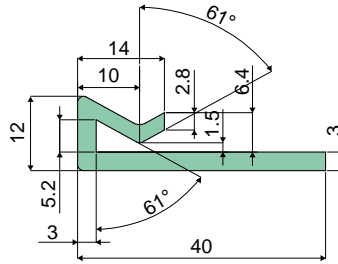
Standard Packing: This item is sold in Mt. - min. 12 Mt. (2 lengths).

On request:

- Guide rails: Different colours and lengths.

Chain guides and accessories

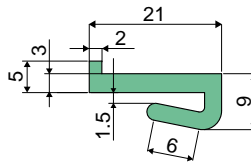
Part. **361** Extruded profile supplied in coils of 50 / 60 Mt. For plates from 2 to 4 mm.



Code
361 / 83717

Materials: Extruded UHMWPE green colour.
Standard Packing: This item is sold in Mt. - min. 50 Mt.
On request:
• Guide profiles: Different colours and lengths.

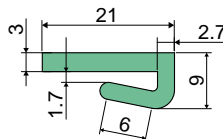
Part. **362** Extruded profile supplied in coils of 50 / 60 Mt. For plates from 2 to 4 mm.



Code
362 / 83718

Materials: Extruded UHMWPE green colour.
Standard Packing: This item is sold in Mt. - min. 50 Mt.
On request:
• Guide profiles: Different colours and lengths.

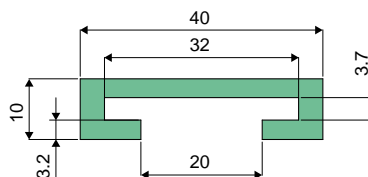
Part. **363** Extruded profile supplied in coils of 50 / 60 Mt. For plates from 2 to 4 mm.



Code
363 / 83719

Materials: Extruded UHMWPE green colour.
Standard Packing: This item is sold in Mt. - min. 50 Mt.
On request:
• Guide profiles: Different colours and lengths.

Part. **364** Extruded chain guide profiles for flat 30x3 mm. supplied in 3 Mt. lengths



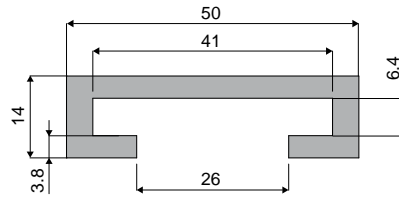
Code
364 / 83720

Materials: Extruded UHMWPE green colour.
Standard Packing: This item is sold in Mt. - min. 6 Mt. (2 lengths).
On request:
• Guide profiles: Different colours and lengths.

Chain guides and accessories

Extruded chain guide profiles for flat 40x6 mm. supplied in 6 Mt. lengths

Part. **365**



Code
365 / 83721

Materials: Extruded UHMWPE black colour.

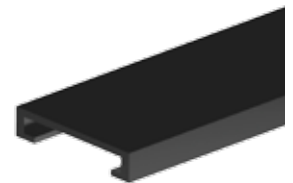
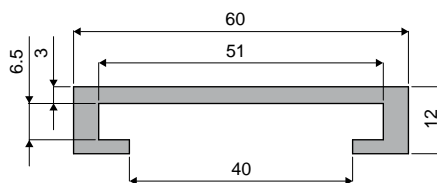
Standard Packing: This item is sold in Mt. - min. 12 Mt. (2 lengths).

On request:

- Guide profiles: Different colours and lengths.

Extruded chain guide profiles for flat 50x6 mm. supplied in 6 Mt. lengths

Part. **366**



Code
366 / 83722

Materials: Extruded UHMWPE black colour.

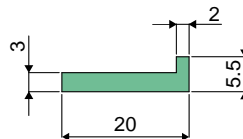
Standard Packing: This item is sold in Mt. - min. 12 Mt. (2 lengths).

On request:

- Guide profiles: Different colours and lengths.

Extruded chain guide profiles supplied in coils of 50 Mt.

Part. **367**



Code
367 / 83723

Materials: Extruded UHMWPE green colour.

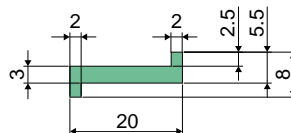
Standard Packing: This item is sold in Mt. - min. 50 Mt.

On request:

- Guide profiles: Different colours and lengths.

Extruded chain guide profiles supplied in coils of 50 Mt.

Part. **368**



Code
368 / 83724

Materials: Extruded UHMWPE green colour.

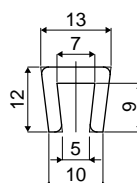
Standard Packing: This item is sold in Mt. - min. 50 Mt.

On request:

- Guide profiles: Different colours and lengths.

Extruded chain guide profiles supplied in coils of 50 Mt.

Part. **369**



Code
369 / 83725

Materials: Extruded UHMWPE white colour.

Standard Packing: This item is sold in Mt. - min. 50 Mt.

On request:

- Guide profiles: Different colours and lengths.

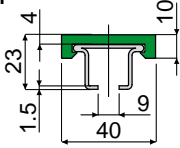
Chain guides and accessories

Chain guide profile

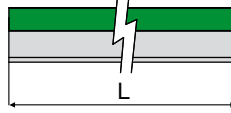
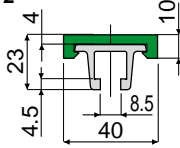
Part. 381



Type 1



Type 2



Type 1			Type 2			
Metal profile in stainless steel AISI 304		Metal profile in stainless steel AISI 430	Metal profile in aluminium			
Code	Code	Colour	L	Code	Colour	L
381 / 84085	381 / 84086	Green	3 Mt.	381 / 84474	Green	3 Mt.
381 / 84954	381 / 84955	Green	6 Mt.	381 / 84475	Green	6 Mt.
381 / 84942	381 / 84946	White	3 Mt.	381 / 84944	White	3 Mt.
381 / 84943	381 / 84947	White	6 Mt.	381 / 84945	White	6 Mt.
381 / 84948	381 / 84952	Black	3 Mt.	381 / 84950	Black	3 Mt.
381 / 84949	381 / 84953	Black	6 Mt.	381 / 84951	Black	6 Mt.

NEW

MATERIALS: Metal profile in stainless steel AISI 304, AISI 430 or aluminium; guide profile in polyethylene.

FEATURES: Supplied in lengths of 3 or 6 Mt.

BOX QUANTITY: 2 lengths of 6 Mt (total 12 Mt), or 2 lengths of 3 Mt (total 6 Mt.).

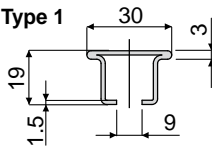
ON REQUEST:

- Box quantities: According to your request.

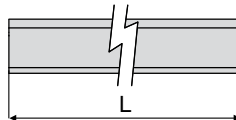
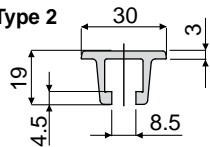
Part. 384 Chain guide profile



Type 1



Type 2



Type 1			Type 2	
Metal profile in stainless steel AISI 304		Metal profile in stainless steel AISI 430	Metal profile in aluminium	
Code	Code	L	Code	L
384 / 84121	384 / 84122	3 Mt.	384 / 84476	3 Mt.
384 / 84956	384 / 84957	6 Mt.	384 / 84477	6 Mt.

NEW

MATERIALS: Metal profile in stainless steel AISI 304, AISI 430 or aluminium.

FEATURES: Supplied in lengths of 3 or 6 Mt.

BOX QUANTITY: 2 lengths of 6 Mt (total 12 Mt), or 2 lengths of 3 Mt (total 6 Mt.).

ON REQUEST:

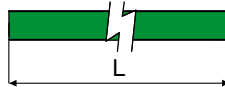
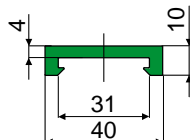
- Box quantities: According to your request.

Part. 385 Chain guide profile



Code	Colour	L
385 / 84123	Green	3 Mt.
385 / 84478	Green	6 Mt.
385 / 84940	White	3 Mt.
385 / 84577	White	6 Mt.
385 / 84941	Black	3 Mt.
385 / 84578	Black	6 Mt.

NEW



MATERIALS: Guide profile in polyethylene.

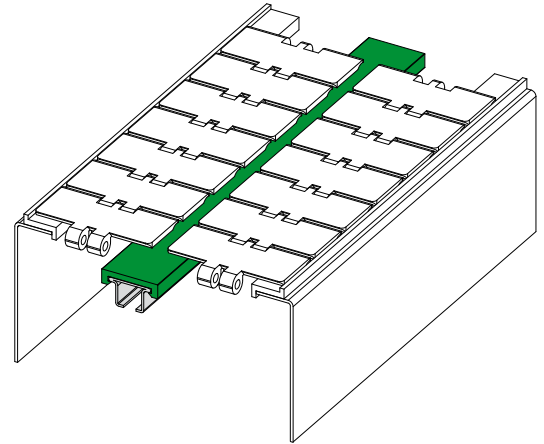
FEATURES: Supplied in lengths of 3 or 6 Mt.

BOX QUANTITY: 2 lengths of 6 Mt (total 12 Mt), or 2 lengths of 3 Mt (total 6 Mt.).

ON REQUEST:

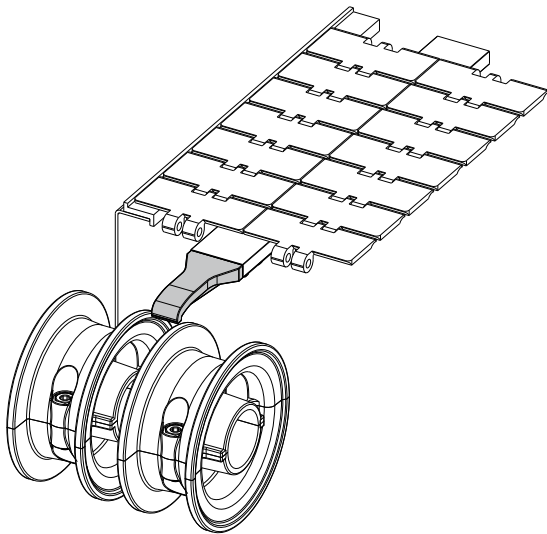
- Box quantities: According to your request.

Example of application

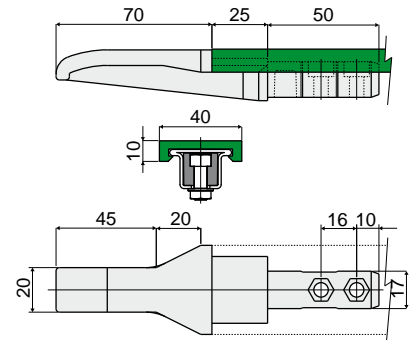


Chain guides and accessories

Example of application



Chain inlet guide shoe (central) Part. 389



Code
389 / 84165

MATERIALS: Shoe in black polyamide.

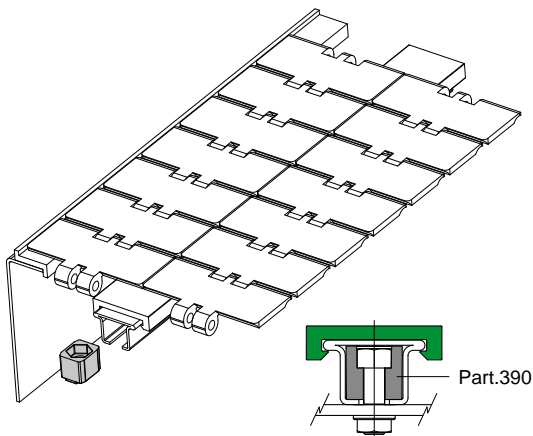
FEATURES: To be assembled near to the idler wheels to drive the chain on the transport guides: Part.381, 384.

BOX QUANTITY: 24 pieces.

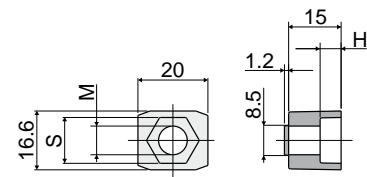
ON REQUEST:

- Box quantities: According to your request.

Example of application



Mounting block for chain guide profile Part. 390



Code	M	H	S
390 / 84166	M6	4.5	10
390 / 84167	M8	6.0	13

MATERIALS: Mounting block in reinforced polyamide, black colour.

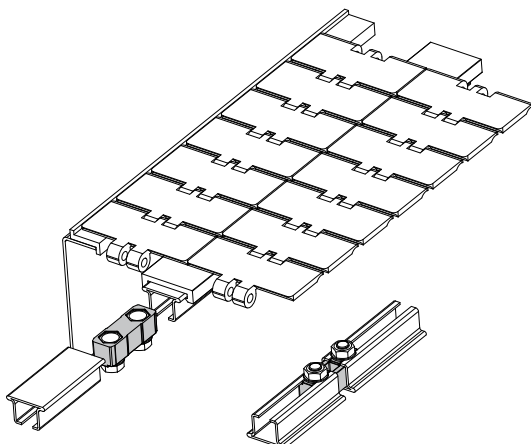
FEATURES: To be used for the guide fixing on the frame: Part.381, 384.

BOX QUANTITY: 96 pieces.

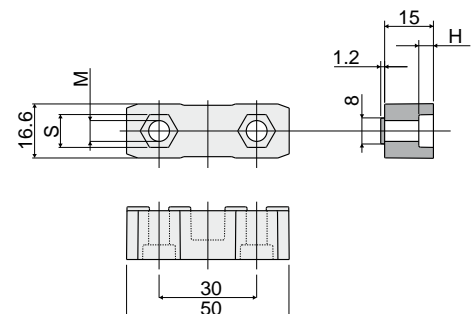
ON REQUEST:

- Box quantities: According to your request.

Example of application



Connecting block for chain guide profile Part. 391



Code	M	H	S
391 / 84168	M6	4.5	10
391 / 84169	M8	6.0	13

MATERIALS: Connecting block in reinforced polyamide, black colour.

FEATURES: To be used to joint the guides: Part.381, 384.

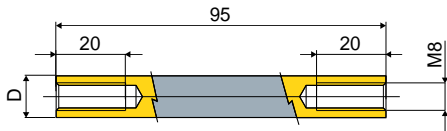
BOX QUANTITY: 48 pieces.

ON REQUEST:

- Box quantities: According to your request.

Accessories for the cross adjustment of the side guides

Part. 429 Spacer (for conveyors' section)



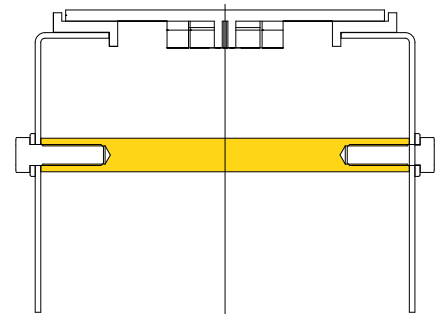
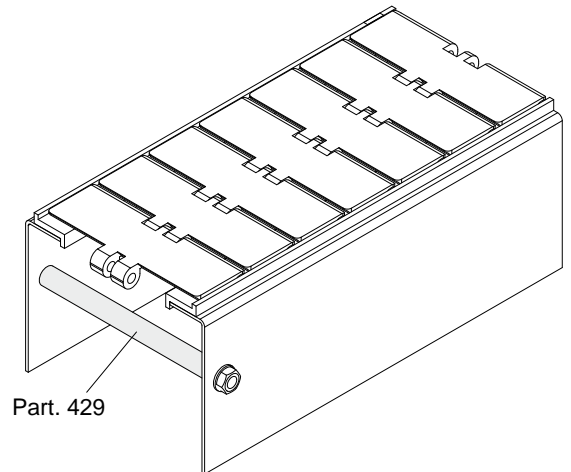
D (mm)	Code
12	429 / 85065
16	429 / 85066

NEW

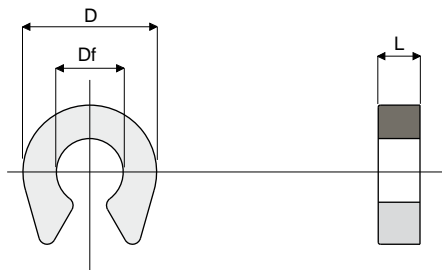
MATERIALS: Spacers in Stainless steel AISI 304.
FEATURES: To be used to fix the frame in the conveyor system.
BOX QUANTITY: 24 pieces.
ON REQUEST:

- Box quantities: According to your request.

Example of application



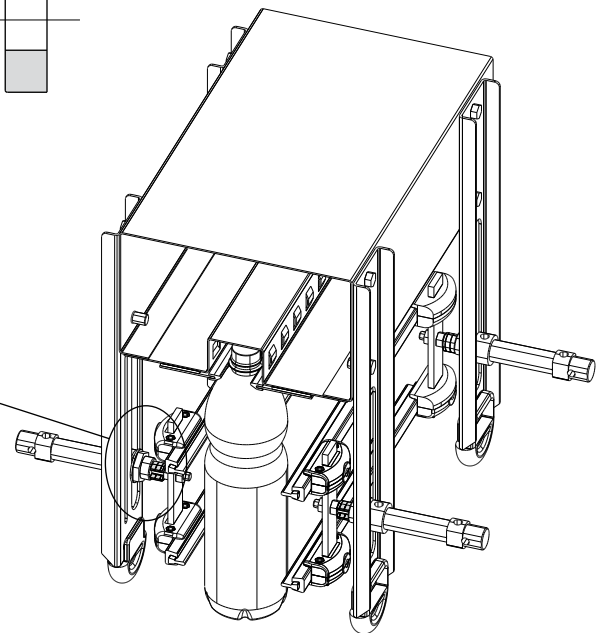
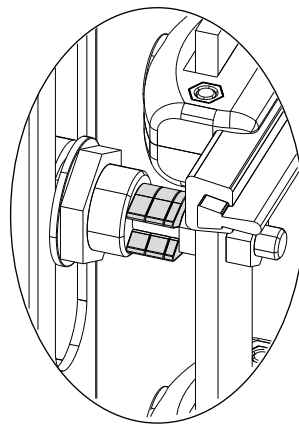
Part. 316 Spacer for rail-holder cylinder



Df Bore diameter (mm)	D (mm)	L (mm)	Code
8	16	2,5	316 / 82871
8	16	5	316 / 82872

MATERIALS: Spacer made of polyamide black colour.
FEATURES: To be used as spacer for the stroke regulation of rail-holder pneumatic cylinder. Snap-on assembly on 8 mm diameter spindles
BOX QUANTITY: 96 pieces.
ON REQUEST:

- Spacers: With special bores and sizes.
- Box Quantity: According to your request.

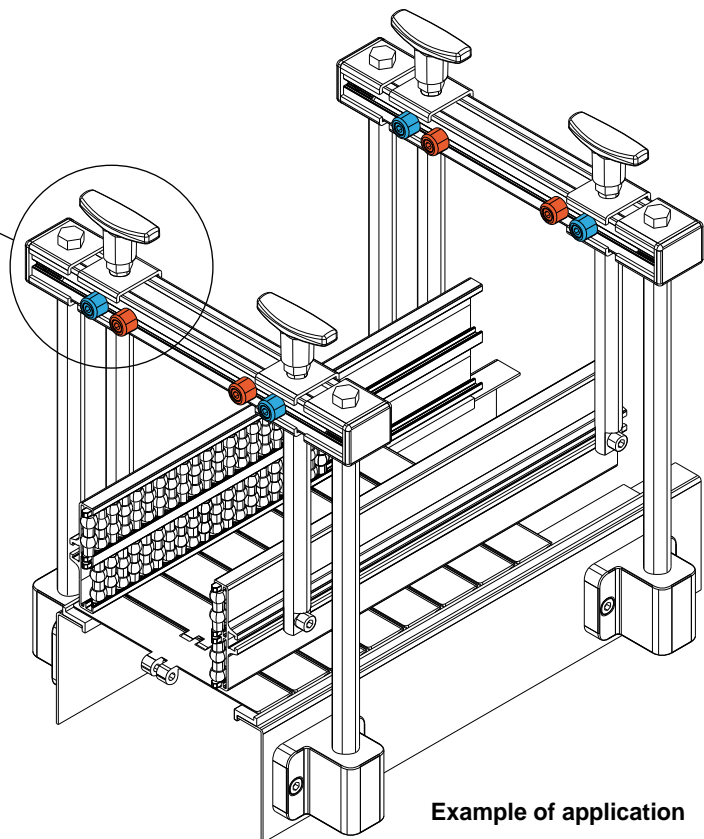
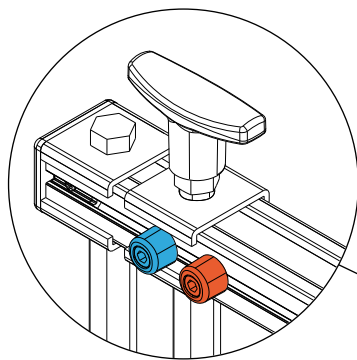
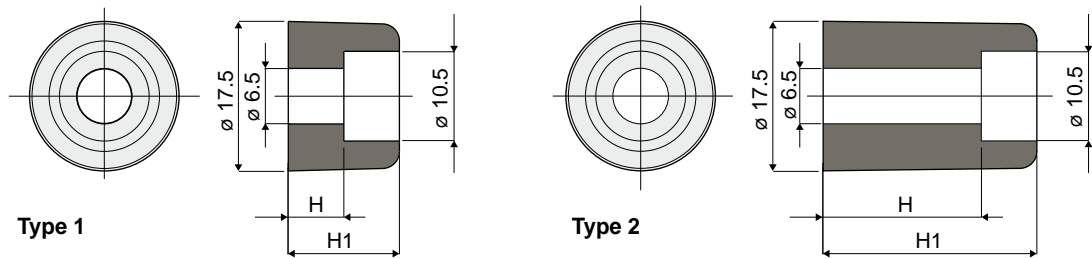


Example of application

Accessories for the cross adjustment of the side guides

Reference peg for size changing

Part. **331**



Example of application

Colour	H (mm)	H1 (mm)	Type 1 Code
Black RAL 9005	6,5	13	331 / 83090
White RAL 9001			331 / 83091
Red RAL 3000			331 / 83092
Yellow RAL 1021			331 / 83093
Blue RAL 5015			331 / 83094
Green RAL 6029			331 / 83095
Mustard RAL 1027			331 / 83096
Orange RAL 2004			331 / 83097
Grey RAL 7035			331 / 83098
Pink RAL 3015			331 / 83099
Light blue RAL 6027			331 / 83100
Brown RAL 8001			331 / 83101

Colour	H (mm)	H1 (mm)	Type 2 Code
White RAL 9001	18,5	25	331 / 84479
Red RAL 3000			331 / 84480
Yellow RAL 1021			331 / 84483
Blue RAL 5015			331 / 84482
Green RAL 6029			331 / 84481

MATERIALS: Peg in reinforced polypropylene.

FEATURES: To be used as a reference on the transport guides for size changing.

BOX QUANTITY: 96 pieces.

ON REQUEST:

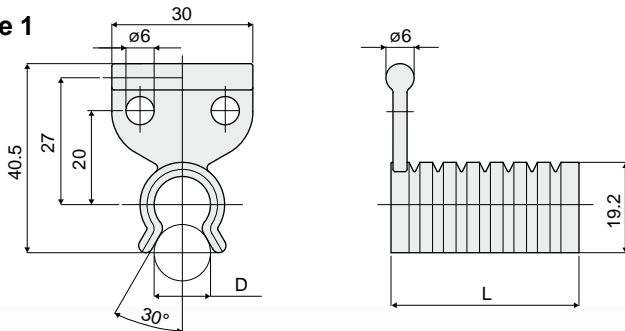
- Pegs: Can be produced in other colours.
- Box Quantity: According to your request.

Accessories for the cross adjustment of the side guides

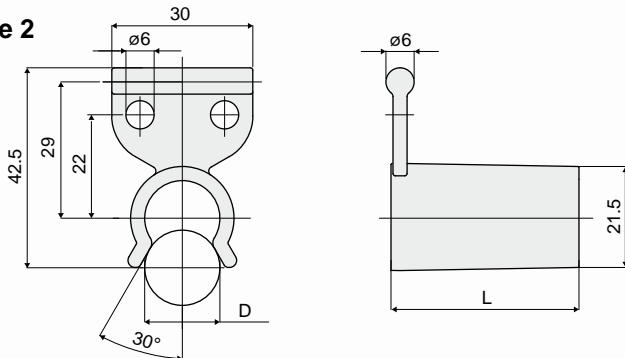
Part. 352 Spacer for guide rail pin



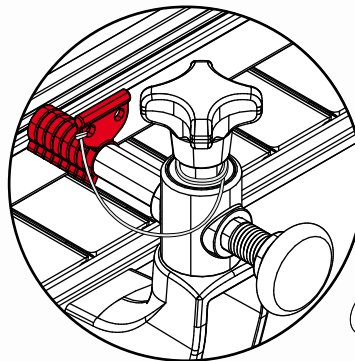
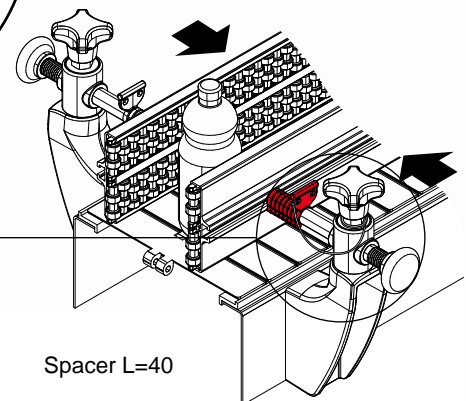
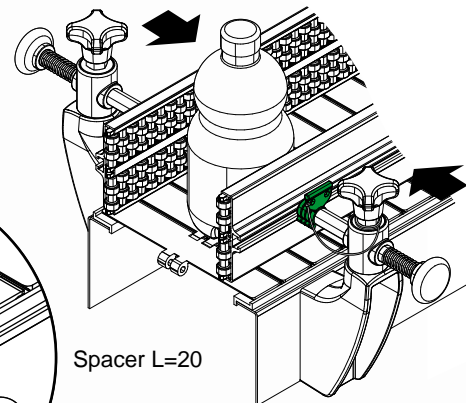
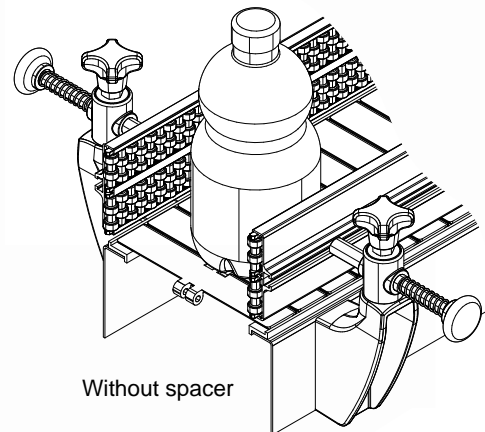
Type 1



Type 2



Example of applications



D (mm)	L (mm)	Colour	Type 1 Code
5		White RAL 9001	352 / 83419
10		Red RAL 3000	352 / 83420
15		Black RAL 9005	352 / 83421
20		Green RAL 6029	352 / 83422
25		Yellow RAL 1021	352 / 83423
30		Orange RAL 2004	352 / 83424
35		Blu RAL 5015	352 / 83425
12		White RAL 9001	352 / 83411
		Red RAL 3000	352 / 83412
		Black RAL 9005	352 / 83413
		Green RAL 6029	352 / 83414
		Yellow RAL 1021	352 / 83415
40		Orange RAL 2004	352 / 83416
		Blu RAL 5015	352 / 83417
		Grey RAL 7035	352 / 83418

D (mm)	L (mm)	Colour	Type 2 Code
		White RAL 9001	352 / 84444
16	40	Red RAL 3000	352 / 84445
		Green RAL 6029	352 / 84446

MATERIALS: Spacer in polypropylene.

FEATURES: To be used to adjust the distance between the side guides. Snap-on assembly. Available in different lengths and colours.

BOX QUANTITY: 24 pieces.

ON REQUEST:

- Spacers: Other colours.
- Box Quantity: according to your request.

Accessories for the cross adjustment of the side guides

Guide rail pin

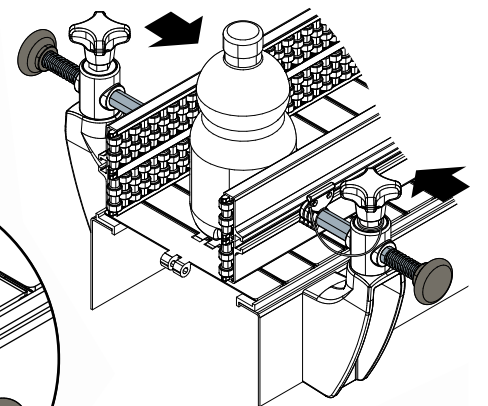
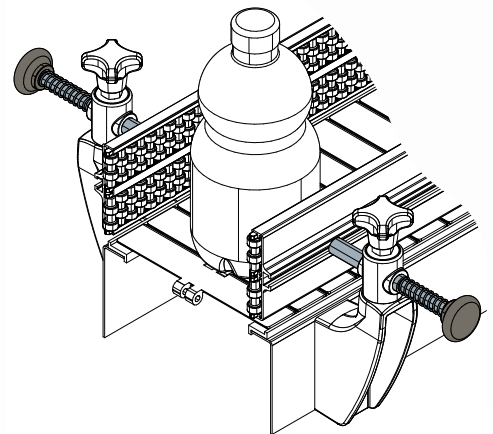
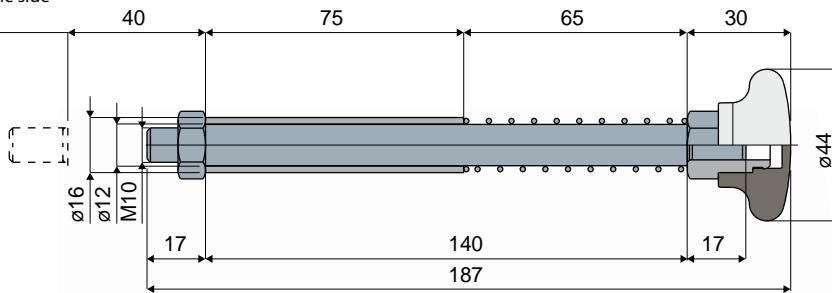
(for the quick adjustment of the side guides)

Part. **374**

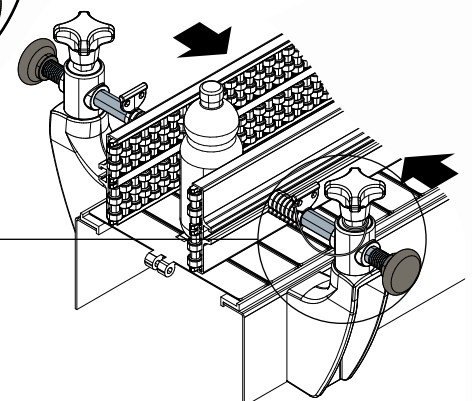
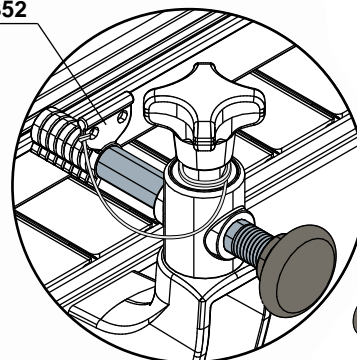


Example of application

Adjustment of the side guides stroke



Part.352



Code

374 / 83860

MATERIALS: Handle made of reinforced polyamide, black colour; pin, nut, spring and dinghy in stainless steel AISI 304; bushing in nickel plated brass.

FEATURES: To be used together with our Part.352, for the quick adjustment of the side guides.

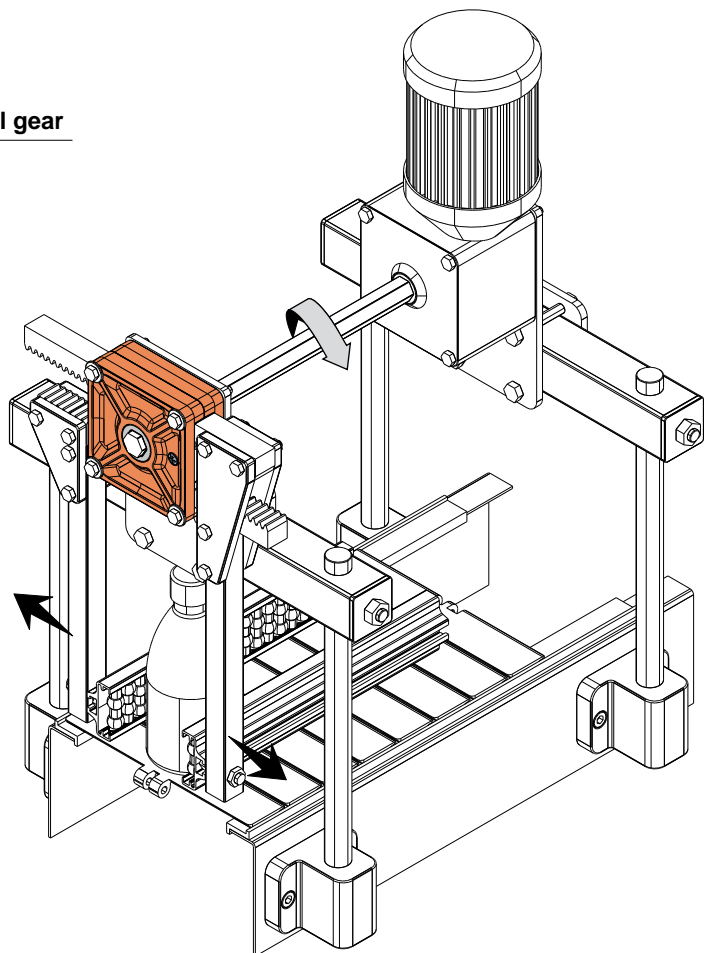
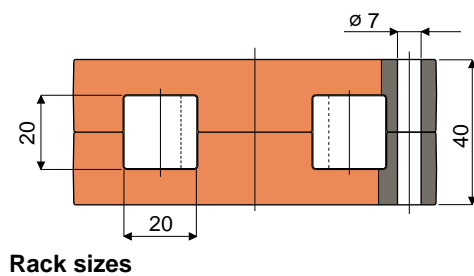
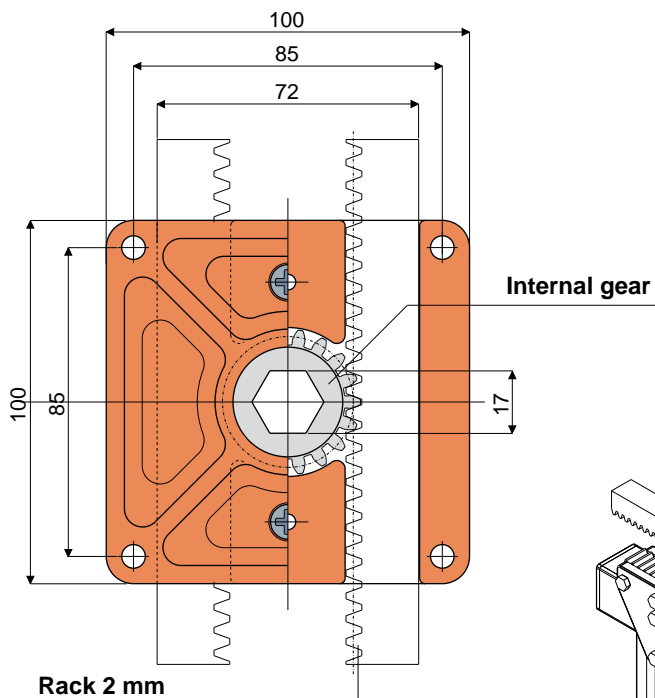
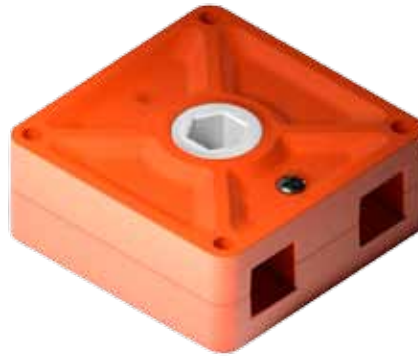
BOX QUANTITY: 24 pieces.

ON REQUEST:

- Pins: In different lengths; with M8 thread instead of M10.
- Box quantity: According to your request.

Accessories for the cross adjustment of the side guides

Part. 299 Reducer for Racks (for the cross adjustment of the side guides)



Example of application

Internal gear made of acetal	Internal gear made of brass	Without internal gear
Code	Code	Code
299 / 82681	299 / 83378	299 / 82680

MATERIALS: External body of reducer is made of reinforced polyamide orange colour; self-threading screw is made of stainless steel AISI 304. Available: without internal gear; with internal gear made of acetal, white color; with internal gear made of brass.

FEATURES: To be used for the cross adjustment of the side guides while changing the size of the conveyed product.

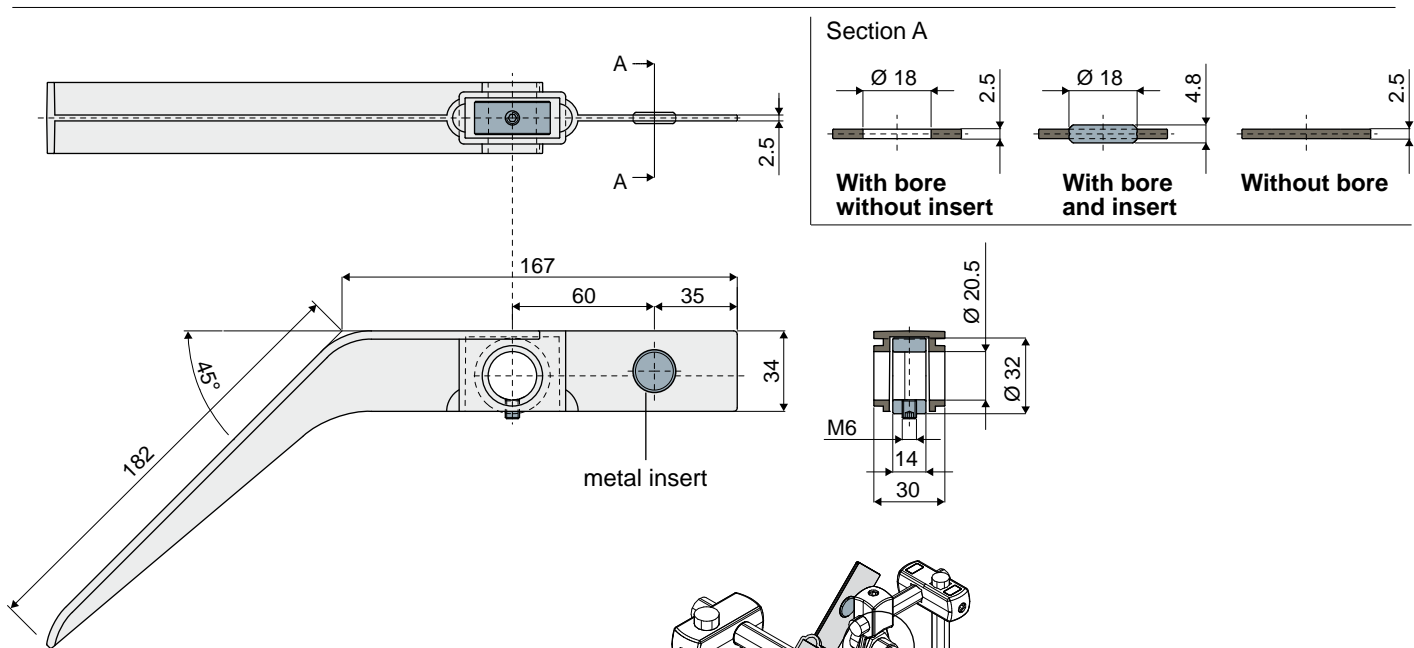
BOX QUANTITY: 24 pieces.

ON REQUEST:

- Reducers: In different colours.
- Box Quantity: According to your request.

Process control

Scanning lever Part. 360



Stop ring in zinc plated steel		
Without bore	With bore without sensor insert	With bore and sensor insert
Code	Code	Code
360 / 83606	360 / 83607	360 / 83608

Stop ring in stainless steel AISI 304		
Without bore	With bore without sensor insert	With bore and sensor insert
Code	Code	Code
360 / 84091	360 / 85184	360 / 85185

NEW

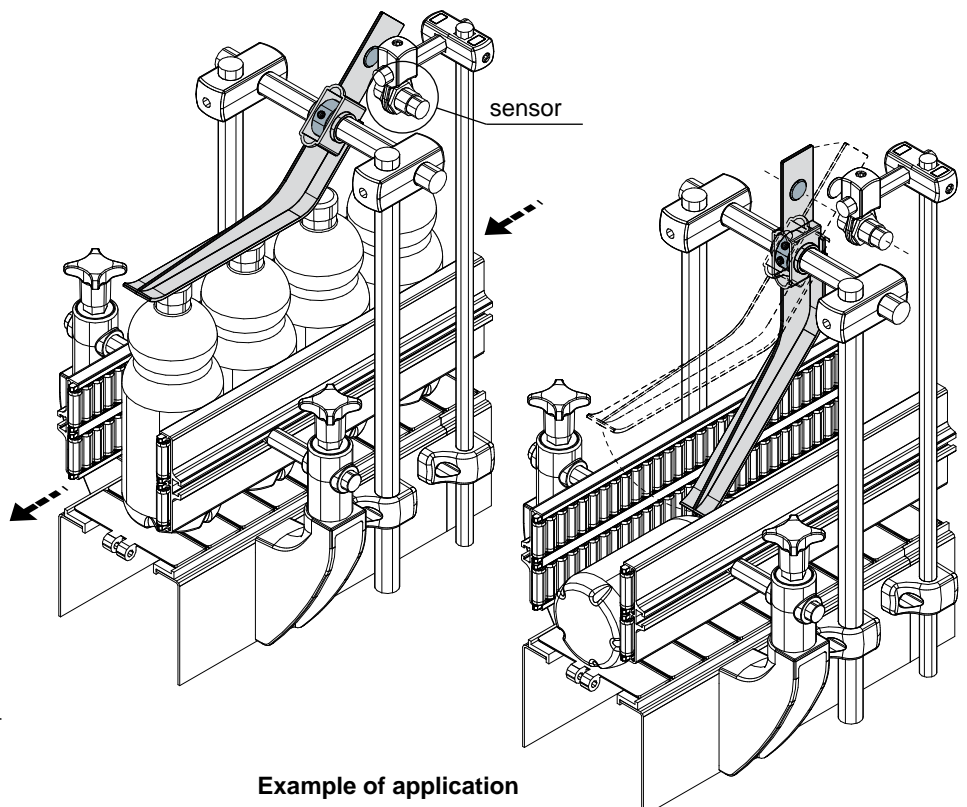
MATERIALS: Scanning lever in reinforced Polyamide black colour; grain and collar in zinc-plated steel or stainless steel AISI 304.

FEATURES: Supplied assembled. To be used in the surveying of the packaged products, to help the arrival of the products.

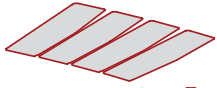
BOX QUANTITY: 24 pieces.

ON REQUEST:

- **Scanning levers:** Versions without stop ring nor sensor insert; in different colors.
- **Box Quantity:** According to your request.



Example of application










Special products



Part	Pag.
701	118
702	118
703	118
700	119
704	119
705	120
706	120
Corner tracks	121
Straight tracks	121

The products shown in this part are available only on request

Chains and accessories

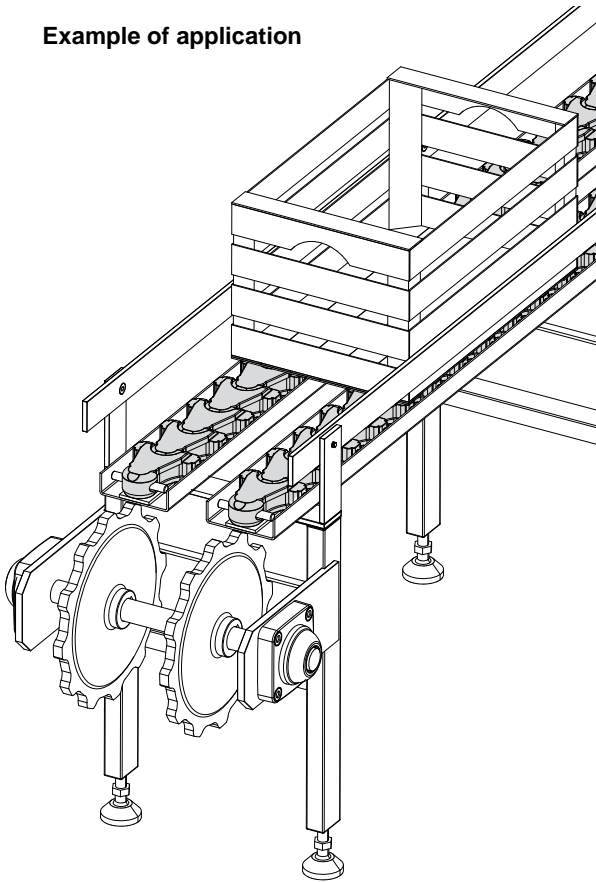
 <p>Part. 701 pag. 118</p>	 <p>Part. 702 pag. 118</p>	 <p>Part. 703 pag. 118</p>	 <p>Part. 700 pag. 119</p>
 <p>Part. 704 pag. 119</p>	 <p>Part. 705 pag. 120</p>	 <p>Part. 706 pag. 120</p>	

Corner and straight tracks

 <p>Corner tracks pag. 121</p>	 <p>Straight tracks pag. 121</p>
--	--

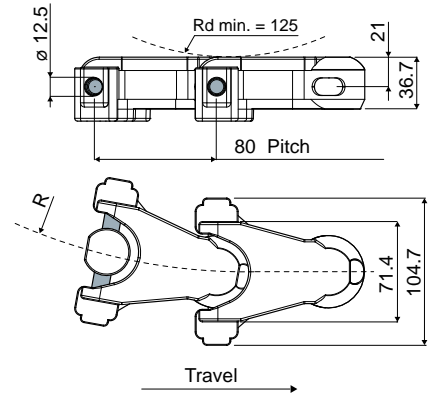
Chains and accessories

Example of application



Cardanic chain Part. 700

(sideflexing for important loads; pitch 80 mm)



Code
700 / 84113

MATERIALS: Chain made of natural acetal; notch made of polyamide; pin made of stainless steel AISI 430.

FEATURES: To be used in the conveyor systems; for important loads (breaking load: 19600 N).

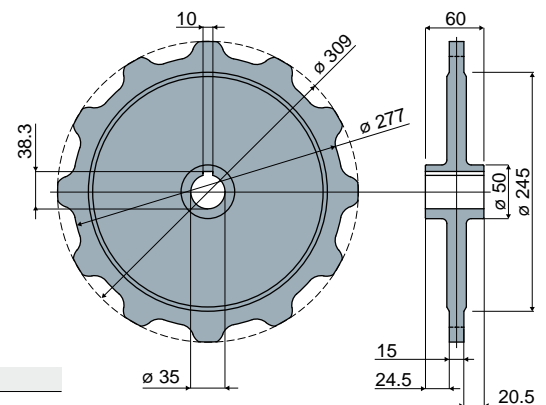
BOX QUANTITY: 3,040 meters.

ON REQUEST:

- Chains: In different colors.
- Box quantities: According to your request.

Sprocket T12 Part. 704

(for cardanic chain Part. 700)



Code
704 / 84207

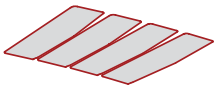
MATERIALS: Sprockets in zinc plated steel.

FEATURES: To be used with chain part. 700.

BOX QUANTITY: 2 pieces.

ON REQUEST:

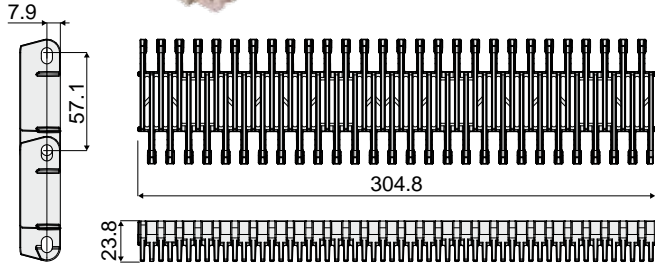
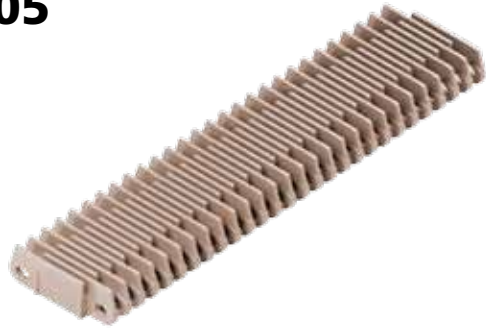
- Sprockets: In different materials.
- Box quantities: According to your request.



Chains and accessories

Loose link for belt

Part. **705**



Code

705 / 84208

MATERIALS: Loose links in light brown polypropylene.

FEATURES: Perfect for use in the food industry, it guarantees a uniform conveyor surface. Max working load: 29200 N/m (21°C).

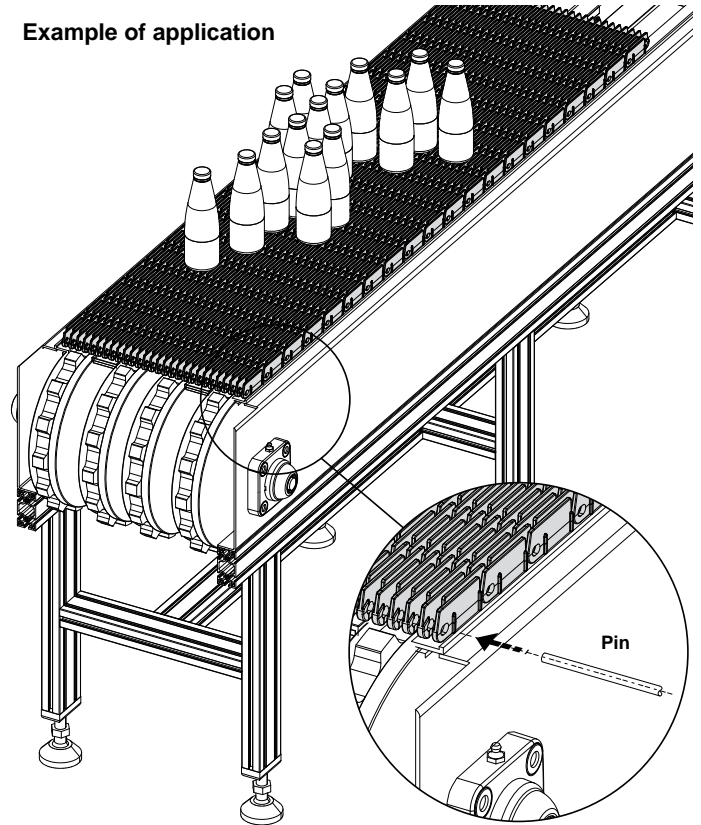
To be assembled with a pin diameter 6 mm (not supplied).

BOX QUANTITY: 24 pieces.

ON REQUEST:

- Loose links: In acetal.
- Belts: Supplied assembled in different sizes.
- Transfer combs: On request.
- Box quantities: According to your request.

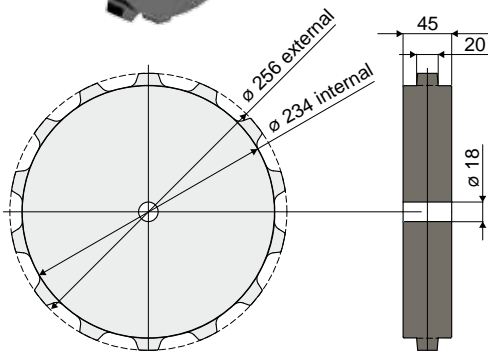
Example of application



To be used with a pin diam. 6 mm

Part. **706**

Sprocket / Idler wheel T14 (for modular belt)



Code

706 / 84209

MATERIALS: Sprockets in black polyamide.

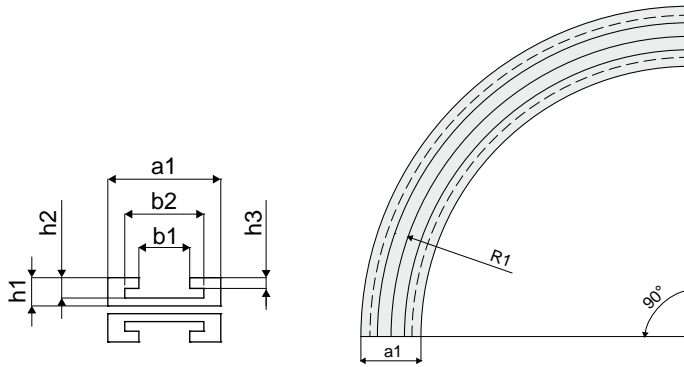
FEATURES: To be used with modular belts part. 705.

BOX QUANTITY: 2 pieces

ON REQUEST:

- Box quantities: According to your request.

Corner and straight tracks



Corner tracks



Chain type	Chain width	R1 (mm)	a1 (mm)	b1 (mm)	b2 (mm)	h1 (mm)	h2 (mm)	h3 (mm)	Track type	Material	Cod. Tecom
879TAB-K325	82,5	500	100	45	70	25	18	9,5	Carry Return	PE 1000 PE 500	83445
880TAB-K325											83446
881TAB-K325											
8811TAB-K325											
879TAB-K450	114,3	610	125	45	70	25	18	9,5	Carry Return	PE 1000 PE 500	83449
880TAB-K450											83450
881TAB-K450											
8811TAB-K450											
881TAB-K750	190,5	610	200	45	70	25	18	9,5	Carry Return	PE 1000 PE 500	83451
8811TAB-K750											83452

MATERIALS: Upper parts in PE 1000, black color and bottom parts in PE 500 black color.

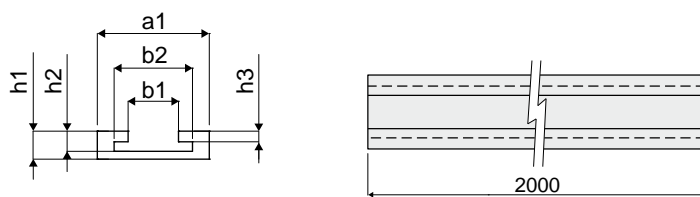
FEATURES: To be used to drive the chain in the corner sections.

BOX QUANTITY: 2 pieces.

ON REQUEST:

- Corner tracks: Magnetic, with different molecular weight; customised sizes.
- Box quantities: According to your request.

Straight tracks



Chain type	Chain width	a1 (mm)	b1 (mm)	b2 (mm)	h1 (mm)	h2 (mm)	h3 (mm)	Material	Cod. Tecom
879TAB-K325	82,5	100	45	70	25	18	9,5	PE 500	83652
879BO-K325									
880TAB-K325									
881TAB-K325									
8811TAB-K325									
879TAB-K450	114,3	125	45	70	25	18	9,5	PE 500	83653
879BO-K450									
880TAB-K450									
881TAB-K450									
8811TAB-K450									

MATERIALS: Straight tracks in PE 500 black color.

FEATURES: To be used to drive the chain in the straight sections.

BOX QUANTITY: 2 pieces.

ON REQUEST:

- Straight tracks: With different molecular weight, customised sizes.
- Box quantities: According to your request.



Self-aligning bearing supports










Serie	Pag.	Serie	Pag.
UCF/C.....	124	UCFL/CS.....	142
MUCF/C.....	124	MUCFL/C.....	144
UCF/CX.....	126	MUCFL/CX.....	146
MUCF/CX.....	126	MUCFL.....	148
UCF.....	128	UCFL/CA.....	150
MUCF.....	128	UCFL/CXA.....	152
UCF/CS.....	130	UCFB/C.....	154
MUCF/CS.....	130	UCFB/CX.....	156
UCF/CA.....	132	UCFB.....	158
UCF/CXA.....	134	UCP/C.....	160
UCFL/C.....	136	UCP/CX.....	162
UCFL/CX.....	138	UCP.....	164
UCFL.....	140		



Square flanged bearing supports

 <p>Serie UCF/C Serie MUCF/C</p> <p>pag. 124 pag. 124</p>	 <p>Serie UCF/CX Serie MUCF/CX</p> <p>pag. 126 pag. 126</p>	 <p>Serie UCF Serie MUCF</p> <p>pag. 128 pag. 128</p>
 <p>Serie UCF/CS Serie MUCF/CS</p> <p>pag. 130 pag. 130</p>	 <p>Serie UCF/CA</p> <p>pag. 132</p>	 <p>Serie UCF/CXA</p> <p>pag. 134</p>

Oval flanged bearing supports

 <p>Serie UCFL/C</p> <p>pag. 136</p>	 <p>Serie UCFL/CX</p> <p>pag. 138</p>	 <p>Serie UCFL</p> <p>pag. 140</p>
 <p>Serie UCFL/CS</p> <p>pag. 142</p>	 <p>Serie MUCFL/C</p> <p>pag. 144</p>	 <p>Serie MUCFL/CX</p> <p>pag. 146</p>
 <p>Serie MUCFL</p> <p>pag. 148</p>	 <p>Serie UCFL/CA</p> <p>pag. 150</p>	 <p>Serie UCFL/CXA</p> <p>pag. 152</p>

Side flanged bearing supports

 <p>Serie UCFB/C</p> <p>pag. 154</p>	 <p>Serie UCFB/CX</p> <p>pag. 156</p>	 <p>Serie UCFB</p> <p>pag. 158</p>
---	--	---

Pillow Blocks

 <p>Serie UCP/C</p> <p>pag. 160</p>	 <p>Serie UCP/CX</p> <p>pag. 162</p>	 <p>Serie UCP</p> <p>pag. 164</p>
--	---	--



Square flanged bearing supports

Serie **UCF/C**
Serie **MUCF/C**

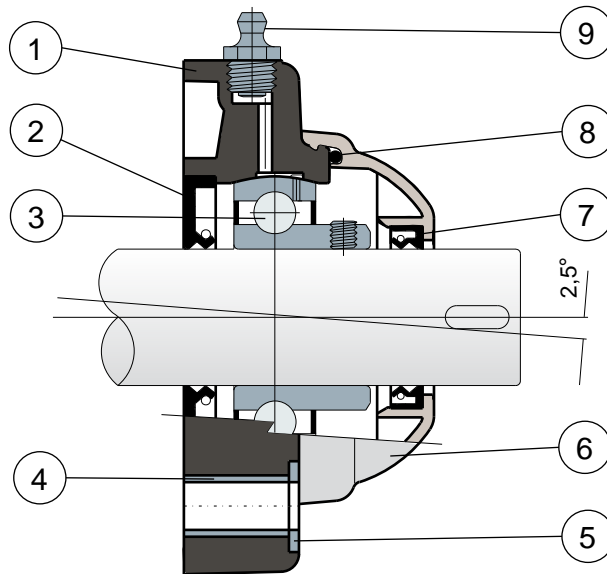


NEW

New product line with support body in PA white colour.



Full protection of bearing



- 1) Support body made out of black or white colour polyamide reinforced with glass fibers.
- 2) Back gasket made out of NBR rubber for turning shaft seal.
- 3) Chrome steel or stainless steel bearing AISI 440.
- 4) Spacer for fixing reinforcement made out of stainless steel AISI 304.
- 5) UNI 6592 support washer made out of stainless steel AISI 304.
- 6) Protection cover made out of polypropylene (grey colour Ral 7042).
- 7) Front gasket made out of NBR rubber for turning shaft seal.
- 8) OR gasket made out of NBR rubber
- 9) Greaser for relubrication made out of nickel-plated brass.

Support dimensions respect ISO 3228 set of rules

Maximum shaft alignment error 2,5°

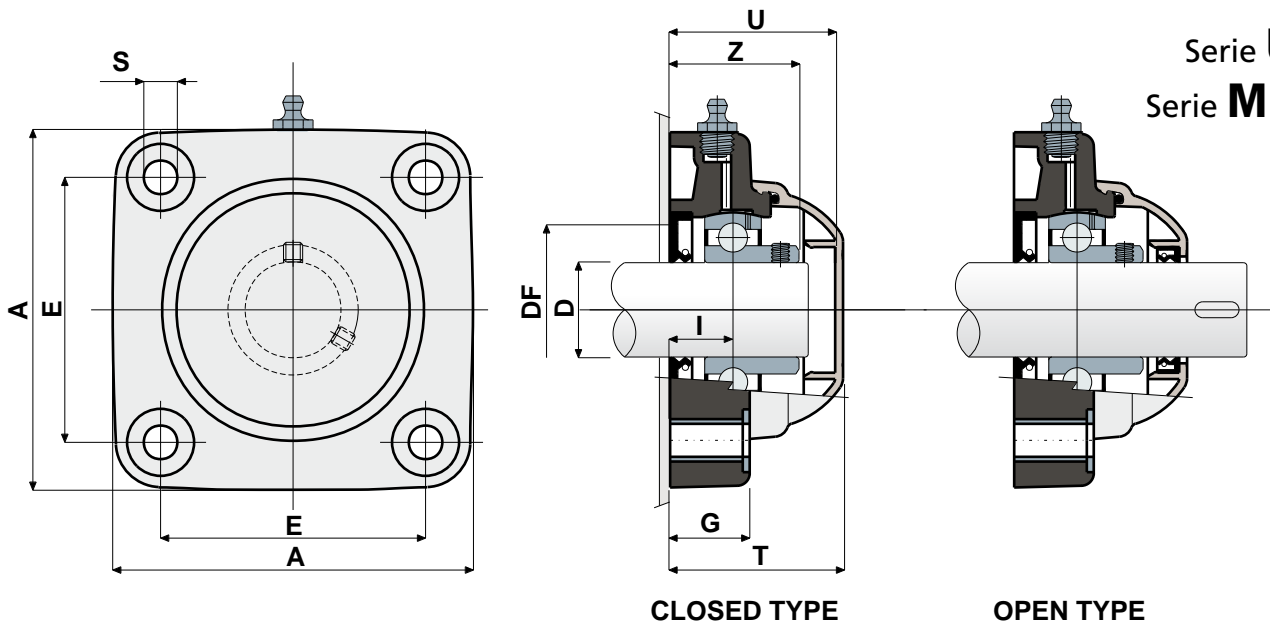
For further information please contact our technical office or sales department.



Square flanged bearing supports

Technical data

Serie **UCF/C**
Serie **MUCF/C**



CHROME STEEL BEARING																			
D	SERIE	CODES				DIMENSIONS (mm)											Bearing load (N)		Bearing support load (N)
		Black colour		White colour		E	A	S	G	I	Z	U	T	DF		C	C0		
		Closed type	Open type	Closed type	Open type									Max	Min				
20	UCF 204 C	80248	80249	84580	84581	63,5	90	10,5	19	15,5	33,5	44	46,5	45	40	12800	6600	16500	
25	UCF 205 C	80057	80060	84582	84583	70	99	10,5	22	17	36	47	49	50	45	14000	7800	17000	
30	UCF 206 C	80009	80005	84584	84585	83	113	10,5	26	20	41	54	56	60	50	19500	11300	17500	
30	MUCF 206 C	84038	84039	84586	84587	83	113	10,5	26	20	41	65	68	60	50	19500	11300	17500	
35	UCF 207 C	80058	80061	84588	84589	92	122	10,5	26	20	45	57	59	70	55	25500	15300	18000	
35	MUCF 207 C	82549	82392	84590	84591	83	113	10,5	26	19,5	45	65	68	70	55	25500	15300	18000	
40	UCF 208 C	80250	80251	84592	84593	102	133	10,5	26	19,5	48,5	65	68	78	65	32500	19800	18000	
40	MUCF 208 C	80697	80699	84594	84595	83	113	10,5	26	19,5	48,5	65	68	78	65	32500	19800	18000	

STAINLESS STEEL BEARING AISI 440																			
D	SERIE	CODES				DIMENSIONS (mm)											Bearing load (N)		Bearing support load (N)
		Black colour		White colour		E	A	S	G	I	Z	U	T	DF		C	C0		
		Closed type	Open type	Closed type	Open type									Max	Min				
20	UCF 204 C	80400	80448	84596	84597	63,5	90	10,5	19	15,5	33,5	44	46,5	45	40	8300	6550	16500	
25	UCF 205 C	80445	80449	84598	84599	70	99	10,5	22	17	36	47	49	50	45	9150	7800	17000	
30	UCF 206 C	80378	80377	84600	84601	83	113	10,5	26	20	41	54	56	60	50	12500	11200	17500	
30	MUCF 206 C	84040	84041	84602	84603	83	113	10,5	26	20	41	65	68	60	50	12500	11200	17500	
35	UCF 207 C	80446	80450	84604	84605	92	122	10,5	26	20	45	57	59	70	55	16600	15300	18000	
35	MUCF 207 C	83467	83466	84606	84607	83	113	10,5	26	19,5	45	65	68	70	55	16600	15300	18000	
40	UCF 208 C	80447	80451	84608	84609	102	133	10,5	26	19,5	48,5	65	68	78	65	20000	19000	18000	
40	MUCF 208 C	81057	81058	84610	84611	83	113	10,5	26	19,5	48,5	65	68	78	65	20000	19000	18000	

VERSIONS WITH MEASURES IN INCHES

CHROME STEEL BEARING																			
D	SERIE	CODES				DIMENSIONS (mm)											Bearing load (N)		Bearing support load (N)
		Black colour		White colour		E	A	S	G	I	Z	U	T	DF		C	C0		
		Closed type	Open type	Closed type	Open type									Max	Min				
1"	25,4	UCF 205 C	84500	84490	84875	84876	70	99	10,5	22	17	36	47	49	50	45	9150	7800	17000
1 1/4"	31,75	UCF 206 C	84501	84491	84877	84878	83	113	10,5	26	20	41	54	56	60	50	12500	11200	17500
1 1/4"	31,75	MUCF 206 C	84502	84492	85180	85181	83	113	10,5	26	20	41	65	68	60	50	12500	11200	17500

MATERIALS: Support made of PA + glass fiber black or white colour; chrome steel or stainless steel bearing; greaser made of nickel plated brass; reinforcement bushings and washers made of stainless steel AISI 304; gaskets made of NBR rubber; cover made of polypropylene, grey colour RAL 7042.

FEATURES: Full protection of bearing against external agents. Assembly with not shouldered shafts. Maximum shaft alignment error 2.5°.

BOX QUANTITY: 8 pieces.

ON REQUEST: Versions with body in polypropylene + glass fiber and antibacterial additive; protection cover in different colors and with customized brand; box quantity according to your request; Viton gaskets, "Long life" bearings.



Self-aligning bearings with Solid body: completely closed surface to guarantee the max hygiene.



Square flanged bearing supports

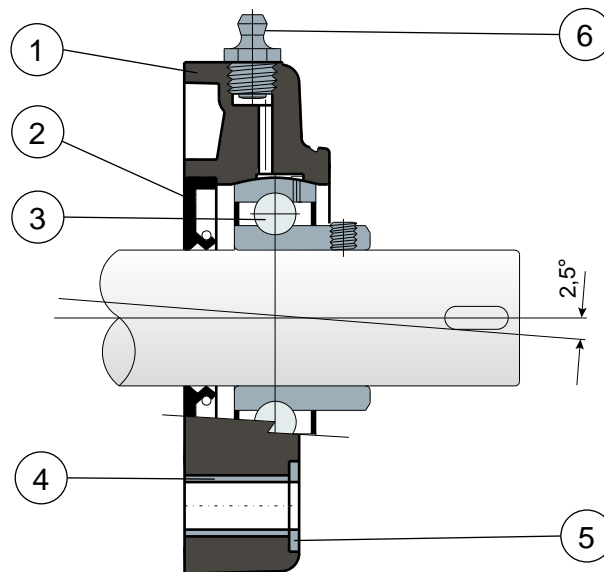
Serie **UCF/CX**
Serie **MUCF/CX**



NEW

New product line with support body in PA white colour.

Without protection cover



- 1) Support body made out of black or white colour polyamide reinforced with glass fibers.
- 2) Back gasket made out of NBR rubber for turning shaft seal.
- 3) Chrome steel or stainless steel bearing AISI 440.
- 4) Spacer for fixing reinforcement made out of stainless steel AISI 304.
- 5) UNI 6592 support washer made out of stainless steel AISI 304.
- 6) Greaser for relubrication made out of nickel-plated brass.

NOTE: The only difference from UCF/C series is lack of protection cover, which can be ordered separately as an accessory.

Support dimensions respect ISO 3228 set of rules.

Maximum shaft alignment error 2,5°

For further information please contact our technical office or sales department.

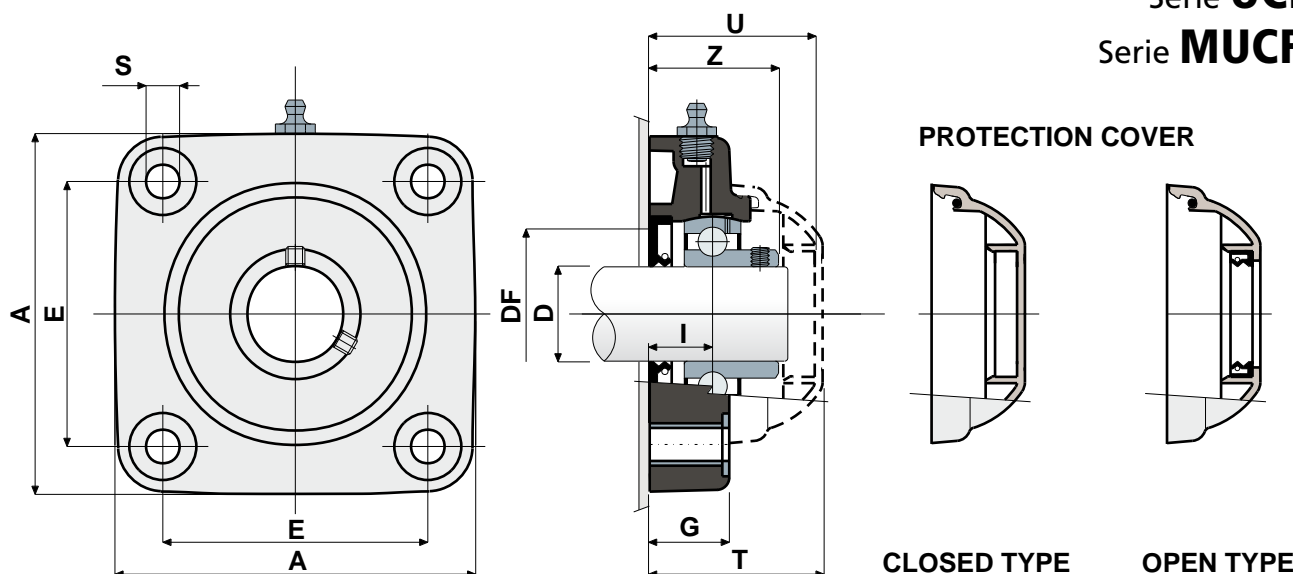


Square flanged bearing supports

Technical data

Serie **UCF/CX**

Serie **MUCF/CX**



CHROME STEEL BEARING																		
D	SERIE	Support CODES		DIMENSIONS (mm)								Bearing load (N)		Bearing support load	COVER CODES			
		Black colour	White colour	E	A	S	G	I	Z	U	T	DF Max	DF Min	C	C0	(N)	Closed type	Open type
20	UCF 204 CX	80252	84612	63,5	90	10,5	19	15,5	33,5	44	46,5	45	40	12800	6600	16500	80254	80255
25	UCF 205 CX	80175	84613	70	99	10,5	22	17	36	47	49	50	45	14000	7800	17000	80075	80076
30	UCF 206 CX	80176	84614	83	113	10,5	26	20	41	54	56	60	50	19500	11300	17500	80011	80053
30	MUCF 206 CX	80789	84615	83	113	10,5	26	20	41	65	68	60	50	19500	11300	17500	80256	80494
35	UCF 207 CX	80177	84616	92	122	10,5	26	20	45	57	59	70	55	25500	15300	18000	80077	80078
35	MUCF 207 CX	83462	84617	83	113	10,5	26	19,5	45	65	68	70	55	25500	15300	18000	80256	80495
40	UCF 208 CX	80253	84618	102	133	10,5	26	19,5	48,5	65	68	78	65	32500	19800	18000	80256	80257
40	MUCF 208 CX	80701	84619	83	113	10,5	26	19,5	48,5	65	68	78	65	32500	19800	18000	80256	80257

STAINLESS STEEL BEARING AISI 440																		
D	SERIE	Support CODES		DIMENSIONS (mm)								Bearing load (N)		Bearing support load	COVER CODES			
		Black colour	White colour	E	A	S	G	I	Z	U	T	DF Max	DF Min	C	C0	(N)	Closed type	Open type
20	UCF 204 CX	81047	84620	63,5	90	10,5	19	15,5	33,5	44	46,5	45	40	8300	6550	16500	80254	80255
25	UCF 205 CX	81049	84621	70	99	10,5	22	17	36	47	49	50	45	9150	7800	17000	80075	80076
30	UCF 206 CX	81050	84622	83	113	10,5	26	20	41	54	56	60	50	12500	11200	17500	80011	80053
30	MUCF 206 CX	84042	84623	83	113	10,5	26	20	41	65	68	60	50	19500	11300	17500	80256	80494
35	UCF 207 CX	81051	84624	92	122	10,5	26	20	45	57	59	70	55	16600	15300	18000	80077	80078
35	MUCF 207 CX	82404	84625	83	113	10,5	26	19,5	45	65	68	70	55	16600	15300	18000	80256	80495
40	UCF 208 CX	80561	84626	102	133	10,5	26	19,5	48,5	65	68	78	65	20000	19000	18000	80256	80257
40	MUCF 208 CX	81043	84627	83	113	10,5	26	19,5	48,5	65	68	78	65	20000	19000	18000	80256	80257

VERSIONS WITH MEASURES IN INCHES

CHROME STEEL BEARING																		
D (inches) (mm)	SERIE	Support CODES		DIMENSIONS (mm)								Bearing load (N)		Bearing support load	COVER CODES			
		Black colour	White colour	E	A	S	G	I	Z	U	T	DF Max	DF Min	C	C0	(N)	Closed type	Open type
1" 25,4	UCF 205 CX	84493	84883	70	99	10,5	22	17	36	47	49	50	45	9150	7800	17000	80075	85202
1" 1/4 31,75	UCF 206 CX	84494	84884	83	113	10,5	26	20	41	54	56	60	50	12500	11200	17500	80011	85203
1" 1/4 31,75	MUCF 206 CX	84495	85182	83	113	10,5	26	20	41	65	68	60	50	19500	11300	17500	80256	85204

MATERIALS: Support made out of PA + glass fiber black or white colour; chrome steel or stainless steel bearing; greaser made out of nickel plated brass; reinforcement bushings and washers made out of stainless steel AISI 304; gaskets made out of NBR rubber; cover made out of polypropylene, grey colour RAL 7042.

FEATURES: The difference from UCF/C series is lack of protection cover which can be ordered separately as an accessory. Assembly with not shouldered shafts. Maximum shaft alignment error 2.5°.

BOX QUANTITY: 8 pieces.

ON REQUEST: Versions with body in polypropylene + glass fiber and antibacterial additive; protection cover in different colors and with customized brand; box quantity according to your request; Viton gaskets, "Long life" bearings.

S Self-aligning bearings with Solid body: completely closed surface to guarantee the max hygiene.



Square flanged bearing supports

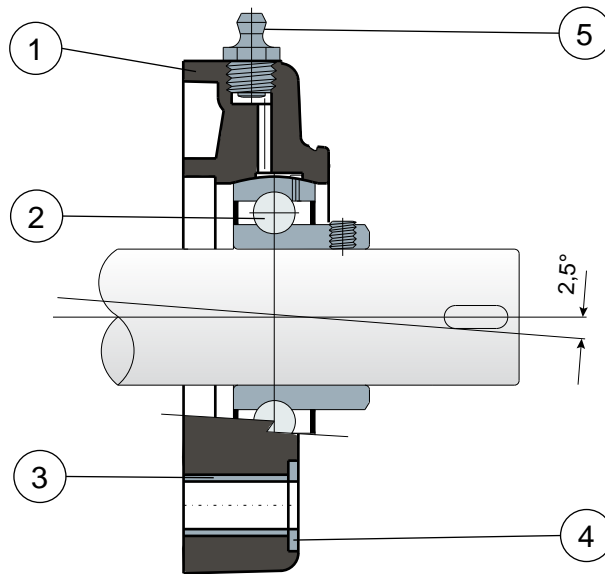
Serie **UCF**
Serie **MUCF**



NEW

New product line with support body in PA white colour.

Without cover and back gasket



- 1) Support body made out of black or white colour polyamide reinforced with glass fibers.
- 2) Chrome steel or stainless steel bearing AISI 440.
- 3) Spacer for fixing reinforcement made out of stainless steel AISI 304.
- 4) UNI 6592 support washer made out of stainless steel AISI 304.
- 5) Greaser for relubrication made out of nickel-plated brass.

NOTE: The only difference from UCF/C series is lack of back gasket and protection cover, which can be ordered separately as accessories.

Support dimensions respect ISO 3228 set of rules.
Maximum shaft alignment error 2,5°

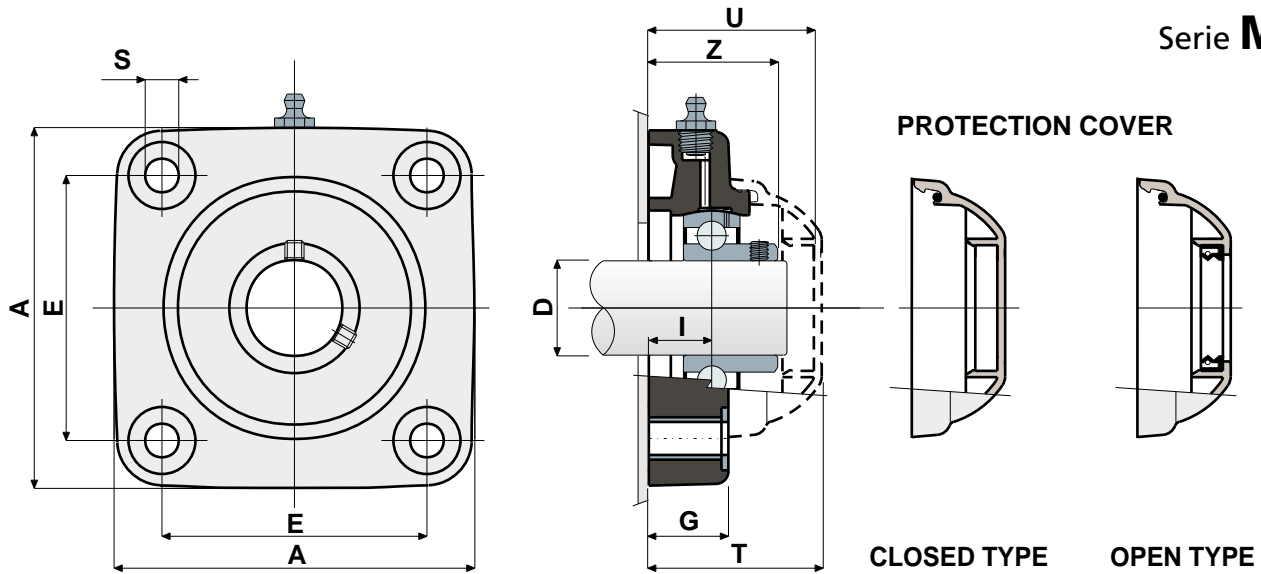
For further information please contact our technical office or sales department.



Square flanged bearing supports

Technical data

Serie **UCF**
Serie **MUCF**



CHROME STEEL BEARING																	
D	SERIE	Support CODES		DIMENSIONS (mm)								Bearing load (N)		Bearing support load		COVER CODES	
		Black colour	White colour	E	A	S	G	I	Z	U	T	C	C0	(N)	Closed type	Open type	
20	UCF 204	80258	84628	63,5	90	10,5	19	15,5	33,5	44	46,5	12800	6600	16500	80254	80255	
25	UCF 205	80054	84629	70	99	10,5	22	17	36	47	49	14000	7800	17000	80075	80076	
30	UCF 206	80010	84630	83	113	10,5	26	20	41	54	56	19500	11300	17500	80011	80053	
30	MUCF 206	84043	84631	83	113	10,5	26	20	41	65	68	19500	11300	17500	80256	80494	
35	UCF 207	80055	84632	92	122	10,5	26	20	45	57	59	25500	15300	18000	80077	80078	
35	MUCF 207	82652	84633	83	113	10,5	26	19,5	45	65	68	25500	15300	18000	80256	80495	
40	UCF 208	80259	84634	102	133	10,5	26	19,5	48,5	65	68	32500	19800	18000	80256	80257	
40	MUCF 208	80712	84635	83	113	10,5	26	19,5	48,5	65	68	32500	19800	18000	80256	80257	

STAINLESS STEEL BEARING AISI 440																	
D	SERIE	Support CODES		DIMENSIONS (mm)								Bearing load (N)		Bearing support load		COVER CODES	
		Black colour	White colour	E	A	S	G	I	Z	U	T	C	C0	(N)	Closed type	Open type	
20	UCF 204	80514	84636	63,5	90	10,5	19	15,5	33,5	44	46,5	8300	6550	16500	80254	80255	
25	UCF 205	80515	84637	70	99	10,5	22	17	36	47	49	9150	7800	17000	80075	80076	
30	UCF 206	80976	84638	83	113	10,5	26	20	41	54	56	12500	11200	17500	80011	80053	
30	MUCF 206	84044	84639	83	113	10,5	26	20	41	65	68	12500	11200	17500	80256	80494	
35	UCF 207	81052	84640	92	122	10,5	26	20	45	57	59	16600	15300	18000	80077	80078	
35	MUCF 207	83468	84641	83	113	10,5	26	19,5	45	65	68	16600	15300	18000	80256	80495	
40	UCF 208	80695	84642	102	133	10,5	26	19,5	48,5	65	68	20000	19000	18000	80256	80257	
40	MUCF 208	81045	84643	83	113	10,5	26	19,5	48,5	65	68	20000	19000	18000	80256	80257	

VERSIONS WITH MEASURES IN INCHES

CHROME STEEL BEARING																	
D (inches) (mm)	SERIE	Support CODES		DIMENSIONS (mm)								Bearing load (N)		Bearing support load		COVER CODES	
		Black colour	White colour	E	A	S	G	I	Z	U	T	C	C0	(N)	Closed type	Open type	
1" 25,4	UCF 205	84496	84887	70	99	10,5	22	17	36	47	49	14000	7800	17000	80075	85202	
1 1/4" 31,75	UCF 206	84497	84888	83	113	10,5	26	20	41	54	56	19500	11300	17500	80011	85203	
1 1/4" 31,75	MUCF 206	84498	85183	83	113	10,5	26	20	41	65	68	19500	11300	17500	80256	85204	

MATERIALS: Support made out of PA + glass fiber black or white colour; chrome steel or stainless steel bearing; greaser made out of nickel plated brass; reinforcement bushings and washers made out of stainless steel AISI 304; gaskets made out of NBR rubber; cover made out of polypropylene, grey colour RAL 7042.

FEATURES: The difference from UCF/C series is lack of back gasket and protection cover, which can be ordered separately as accessories. Assembly with shouldered and not shouldered shafts. Maximum shaft alignment error 2.5°.

BOX QUANTITY: 8 pieces.

ON REQUEST: Versions with body in polypropylene + glass fiber and antibacterial additive; protection cover in different colors and with customized brand; box quantity according to your request; Viton gaskets, "Long life" bearings.

Self-aligning bearings with Solid body: completely closed surface to guarantee the max hygiene.



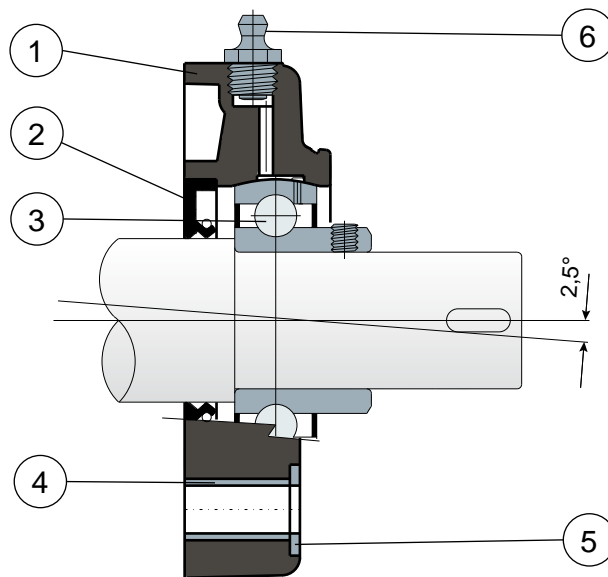
Square flanged bearing supports

Serie **UCF/CS**

Serie **MUCF/CS**



Back gasket for shouldered shaft



- 1) Support body made out of polyamide reinforced with glass fibers.
- 2) Back gasket made out of NBR rubber for turning shaft seal.
- 3) Chrome steel or stainless steel bearing AISI 440.
- 4) Spacer for fixing reinforcement made out of stainless steel AISI 304.
- 5) UNI 6592 support washer made out of stainless steel AISI 304.
- 6) Greaser for relubrication made out of nickel-plated brass.

Support dimensions respect ISO 3228 set of rules.

Maximum shaft alignment error 2,5°

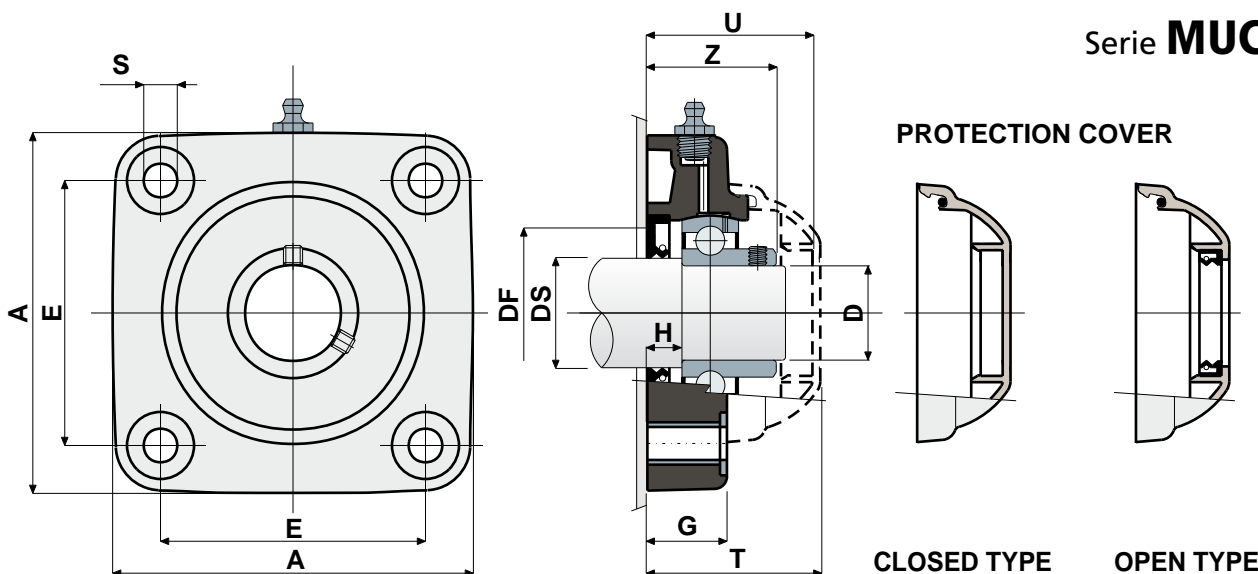
For further information please contact our technical office or sales department.



Square flanged bearing supports

Technical data

Serie **UCF/CS**
Serie **MUCF/CS**



CHROME STEEL BEARING																			
DS	D	SERIE	Support CODES	DIMENSIONS (mm)										Bearing load (N)		Bearing support load	COVER CODES		
				E	A	S	G	H	Z	U	T	DF		C	C0	(N)	Closed type	Open type	
25	20	UCF 204 CS	80260	63,5	90	10,5	19	8,5	33,5	44	46,5	45	40	12800	6600	16500	80254	80255	
30	25	UCF 205 CS	80178	70	99	10,5	22	10	36	47	49	50	45	14000	7800	17000	80075	80076	
35	30	UCF 206 CS	80179	83	113	10,5	26	11,5	41	54	56	60	50	19500	11300	17500	80011	80053	
35	30	MUCF 206 CS	84045	83	113	10,5	26	11,5	41	65	68	60	50	19500	11300	17500	80256	80494	
40	35	UCF 207 CS	80180	92	122	10,5	26	10,5	45	57	59	70	55	25500	15300	18000	80077	80078	
40	35	MUCF 207 CS	84046	83	122	10,5	26	10,5	45	65	68	70	55	25500	15300	18000	80256	80257	
45	40	UCF 208 CS	80261	102	133	10,5	26	9	48,5	65	68	78	65	32500	19800	18000	80256	80257	
45	40	MUCF 208 CS	80713	83	113	10,5	26	9	48,5	65	68	78	65	32500	19800	18000	80256	80257	

STAINLESS STEEL BEARING AISI 440																			
DS	D	SERIE	Support CODES	DIMENSIONS (mm)										Bearing load (N)		Bearing support load	COVER CODES		
				E	A	S	G	H	Z	U	T	DF		C	C0	(N)	Closed type	Open type	
25	20	UCF 204 CS	83520	63,5	90	10,5	19	8,5	33,5	44	46,5	45	40	12800	6600	16500	80254	80255	
30	25	UCF 205 CS	84146	70	99	10,5	22	10	36	47	49	50	45	14000	7800	17000	80075	80076	
35	30	UCF 206 CS	83829	83	113	10,5	26	11,5	41	54	56	60	50	19500	11300	17500	80011	80053	
40	35	UCF 207 CS	84147	92	122	10,5	26	10,5	45	57	59	70	55	25500	15300	18000	80077	80078	
45	40	UCF 208 CS	80322	102	133	10,5	26	9	48,5	65	68	78	65	32500	19800	18000	80256	80257	
45	40	MUCF 208 CS	83828	83	113	10,5	26	9	48,5	65	68	78	65	32500	19800	18000	80256	80257	

MATERIALS: Support made out of PA + glass fiber black colour; chrome steel bearing; greaser made out of nickel plated brass; reinforcement bushings and washers made out of stainless steel AISI 304; gaskets made out of NBR rubber; cover made out of polypropylene, grey colour RAL 7042.

FEATURES: Back gasket for shouldered shafts. Use of shouldered shafts allows a higher capability of axial load. Maximum shaft alignment error 2.5°.

BOX QUANTITY: 8 pieces.

ON REQUEST: Versions with body in polypropylene + glass fiber and antibacterial additive (external body in white color); protection cover in different colors and with customized brand; box quantity according to your request; Viton gaskets, "Long life" bearings.



Self-aligning bearings with Solid body: completely closed surface to guarantee the max hygiene.

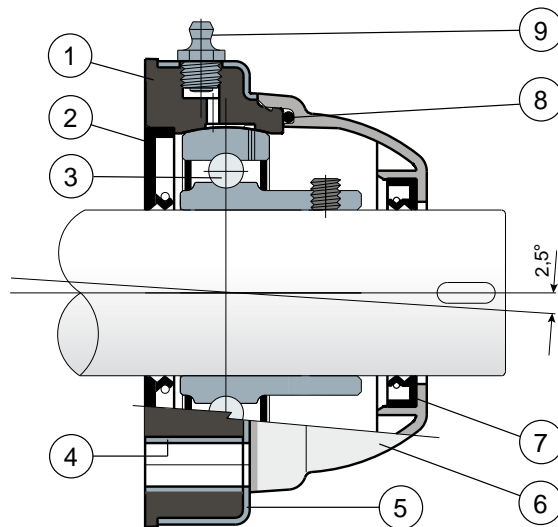


Square flanged bearing supports

Serie **UCF/CA**



External cover made out of stainless steel AISI 304



- 1) Internal body of support made out of black polypropylene reinforced with glass fibers.
- 2) Back gasket made out of NBR rubber for turning shaft seal.
- 3) Chrome steel or stainless steel bearing AISI 440.
- 4) Spacer for fixing reinforcement made out of stainless steel AISI 304.
- 5) External cover of support made out of AISI 304 stainless steel.
- 6) Protection cover made out of polypropylene (grey colour Ral 7042).
- 7) Front gasket made out of NBR rubber for turning shaft seal.
- 8) OR gasket made out of NBR rubber
- 9) Greaser for relubrication made out of nickel-plated brass.

Maximum shaft alignment error 2,5°

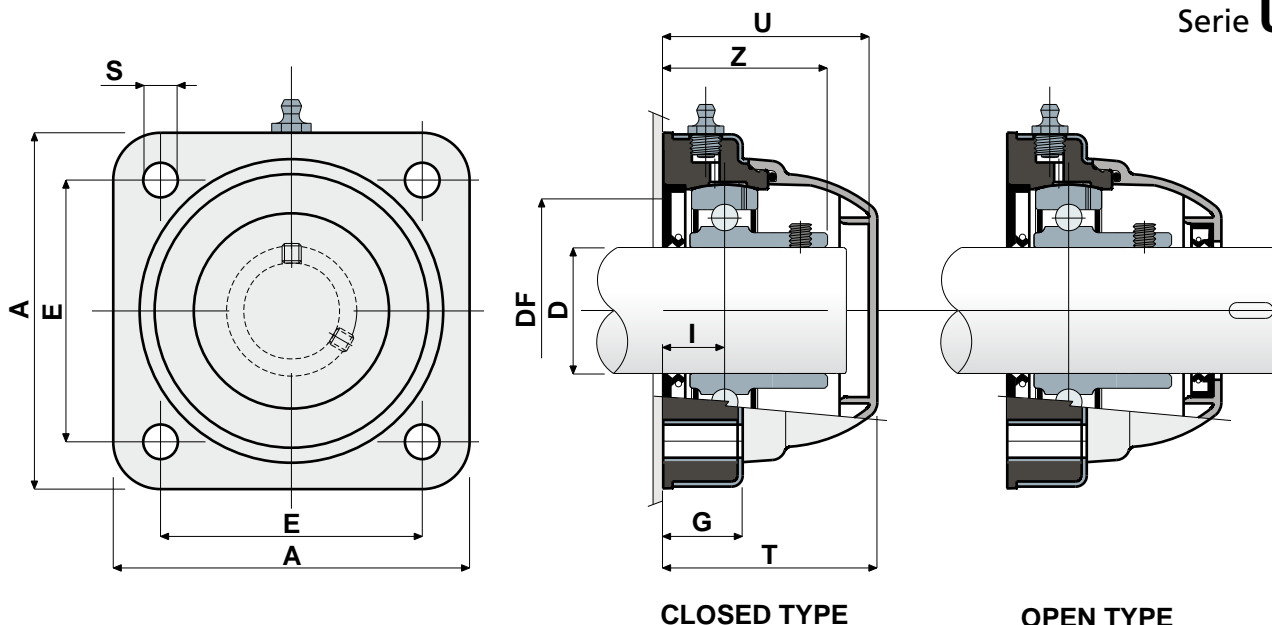
For further information please contact our technical office or sales department.



Square flanged bearing supports

Technical data

Serie **UCF/CA**



CHROME STEEL BEARING																	
D (mm)	SERIE	CODES		DIMENSIONS (mm)								DF		Bearing load (N)		Bearing support load (N)	
		Closed type	Open type	E	A	S	G	I	Z	U	T	Max	Min	C	C0		
30	UCF 206 CA	80409	80410	83	113	11	27	20	41	65	68	60	50	19500	11300	17500	
35	UCF 207 CA	80485	80486	83	113	11	27	19,5	45	65	68	70	55	25500	15300	18000	
40	UCF 208 CA	80411	80412	83	113	11	27	19,5	48,5	65	68	78	65	32500	19800	18000	

STAINLESS STEEL BEARING AISI 440																	
D (mm)	SERIE	CODES		DIMENSIONS (mm)								DF		Bearing load (N)		Bearing support load (N)	
		Closed type	Open type	E	A	S	G	I	Z	U	T	Max	Min	C	C0		
30	UCF 206 CA	80453	80464	83	113	11	27	20	41	65	68	60	50	12500	11200	17500	
35	UCF 207 CA	81059	81060	83	113	11	27	19,5	45	65	68	70	55	16600	15300	18000	
40	UCF 208 CA	80454	81061	83	113	11	27	19,5	48,5	65	68	78	65	20000	19000	18000	

VERSIONS WITH MEASURES IN INCHES

CHROME STEEL BEARING																	
D (inches) (mm)	SERIE	CODES		DIMENSIONS (mm)								DF		Bearing load (N)		Bearing support load (N)	
		Closed type	Open type	E	A	S	G	I	Z	U	T	Max	Min	C	C0		
1" 1/4 31,75	UCF 206 CA	84499	84503	83	113	11	27	20	41	65	68	60	50	12500	11200	17500	

MATERIALS: Support made out of black colour PP + glass fiber; external cover of support made out of AISI 304 stainless steel; chrome steel or stainless steel bearing; greaser made out of nickel plated brass; reinforcement bushings made out of AISI 304 stainless steel; gaskets made out of NBR rubber; protection cover made out of polypropylene grey colour RAL 7042.

FEATURES: Full protection of bearing against external agents. Support body made out of polypropylene covered by an AISI 304 stainless steel later, to obtain the maximum chemical resistance to antibacterial detergents used in food processing field. More over this part is moulded without internal cavities in order to obtain the best sanitation. Assembly with not shouldered shaft. Maximum shaft alignment error 2.5°.

BOX QUANTITY: 8 pieces.

ON REQUEST: Protection covers in different colors and with customized brand; box quantity according to your request; internal body in reinforced polypropylene white color; Viton gaskets, "Long life" bearings.



Self-aligning bearings with Solid body: completely closed surface to guarantee the max hygiene.

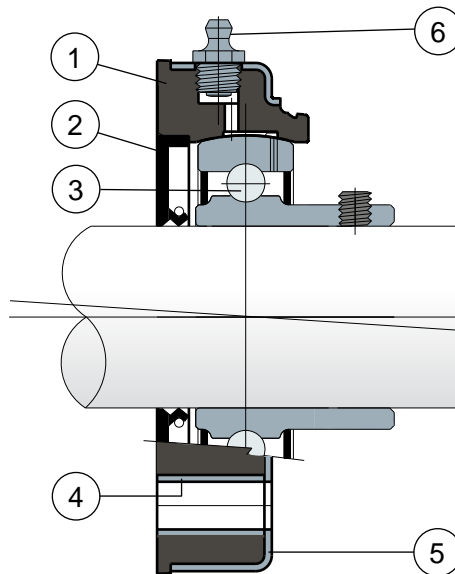


Square flanged bearing supports

Serie **UCF/CXA**



External cover made out of stainless steel AISI 304; without protection cover



- 1) Internal body of support made out of black polypropylene reinforced with glass fibers.
- 2) Back gasket made out of NBR rubber for turning shaft seal.
- 3) Chrome steel or stainless steel bearing AISI 440.
- 4) Spacer for fixing reinforcement made out of stainless steel AISI 304.
- 5) External cover of support made out of AISI 304 stainless steel.
- 6) Greaser for relubrication made out of nickel-plated brass.

NOTE: The only difference from UCF/CA series is lack of protection cover, which can be ordered separately as an accessory.

Maximum shaft alignment error 2,5°

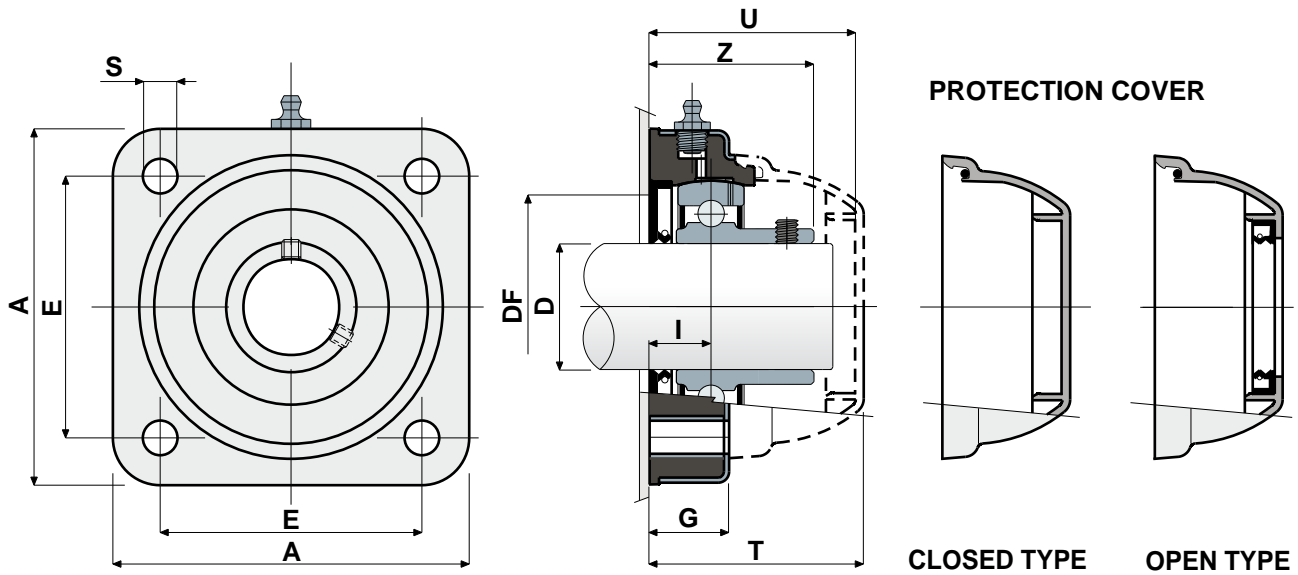
For further information please contact our technical office or sales department.



Square flanged bearing supports

Technical data

Serie **UCF/CXA**



CHROME STEEL BEARING																		
D (mm)	SERIE	Support CODES	DIMENSIONS (mm)									Bearing load (N)		Bearing support load (N)	COVER CODES			
			E	A	S	G	I	Z	U	T	DF Max	DF Min	C		C0	Closed type	Open type	
30	UCF 206 CXA	80413	83	113	11	27	20	41	65	68	60	50	19500	11300	17500			80494
35	UCF 207 CXA	80479	83	113	11	27	19,5	45	65	68	70	55	25500	15300	18000	80256		80495
40	UCF 208 CXA	80414	83	113	11	27	19,5	48,5	65	68	78	65	32500	19800	18000			80257

STAINLESS STEEL BEARING AISI 440																		
D (mm)	SERIE	Support CODES	DIMENSIONS (mm)									Bearing load (N)		Bearing support load (N)	COVER CODES			
			E	A	S	G	I	Z	U	T	DF Max	DF Min	C		C0	Closed type	Open type	
30	UCF 206 CXA	80499	83	113	11	27	20	41	65	68	60	50	12500	11200	17500			80494
35	UCF 207 CXA	80500	83	113	11	27	19,5	45	65	68	70	55	16600	15300	18000	80256		80495
40	UCF 208 CXA	80501	83	113	11	27	19,5	48,5	65	68	78	65	20000	19000	18000			80257

VERSIONS WITH MEASURES IN INCHES

CHROME STEEL BEARING																		
D (inches)	D (mm)	SERIE	Support CODES	DIMENSIONS (mm)									Bearing load (N)		Bearing support load (N)	COVER CODES		
				E	A	S	G	I	Z	U	T	DF Max	DF Min	C		C0	Closed type	Open type
1 1/4	31,75	UCF 206 CXA	84505	83	113	11	27	20	41	65	68	60	50	12500	11200	17500	80256	85204

MATERIALS: Support made out of PP + glass fiber; external cover of support made out of AISI 304 stainless steel; chrome steel or stainless steel bearing; greaser made out of nickel plated brass; reinforcement bushings made out of AISI 304 stainless steel; gaskets made out of NBR rubber; protection cover made out of polypropylene grey colour RAL 7042.

FEATURES: The only difference from UCF/CA series is lack of protection cover, which can be ordered separately as an accessory. Support body made out of polypropylene covered by an AISI 304 stainless steel later, to obtain the maximum chemical resistance to antibacterial detergents used in food processing field. More over this part is moulded without internal cavities in order to obtain the best sanitation. Assembly with not shouldered shaft. Maximum shaft alignment error 2.5°.

BOX QUANTITY: 8 pieces.

ON REQUEST: Protection covers in different colors and with customized brand; internal body in reinforced polypropylene white color; box quantity according to your request; Viton gaskets, "Long life" bearings.



Self-aligning bearings with Solid body: completely closed surface to guarantee the max hygiene.



Oval flanged bearing supports

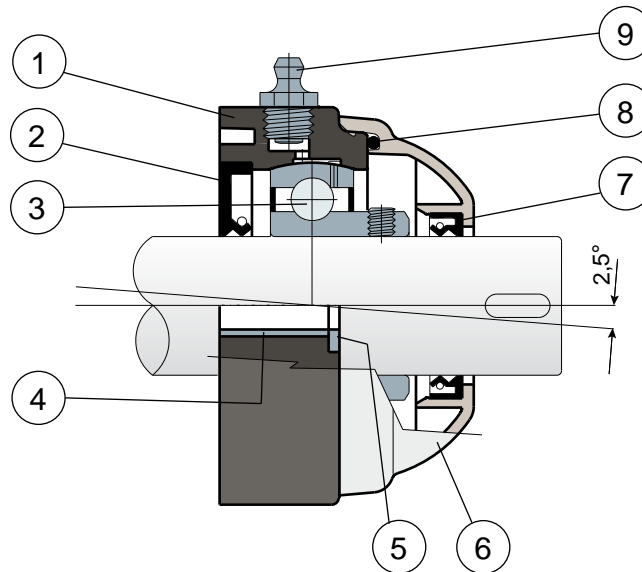
Serie **UCFL/C**



NEW

New product line with support body in PA white colour.

Full protection of bearing



- 1) Support body made out of black or white colour polyamide reinforced with glass fibers.
- 2) Back gasket made out of NBR rubber for turning shaft seal.
- 3) Chrome steel or stainless steel bearing AISI 440.
- 4) Spacer for fixing reinforcement made out of stainless steel AISI 304.
- 5) UNI 6592 support washer made out of stainless steel AISI 304.
- 6) Protection cover made out of polypropylene (grey colour Ral 7042).
- 7) Front gasket made out of NBR rubber for turning shaft seal.
- 8) OR gasket made out of NBR rubber
- 9) Greaser for relubrication made out of nickel-plated brass.

Support dimensions respect ISO 3228 set of rules.

Maximum shaft alignment error 2,5°

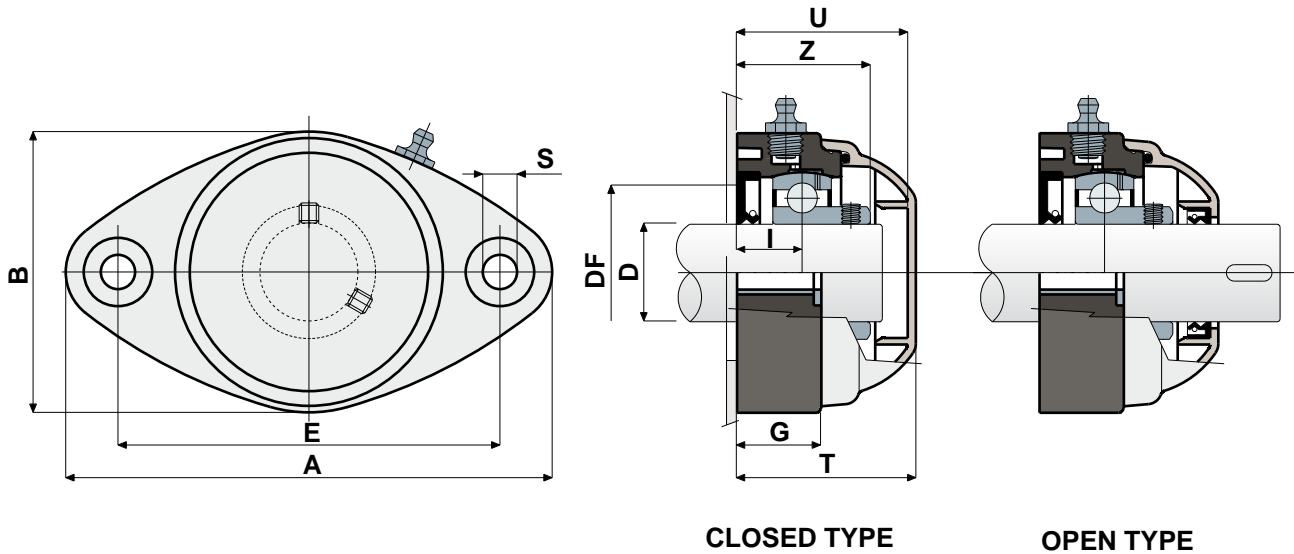
For further information please contact our technical office or sales department.



Oval flanged bearing supports

Technical data

Serie **UCFL/C**



CHROME STEEL BEARING																			
D	SERIE	CODES				DIMENSIONS (mm)										Bearing load (N)		Bearing support load (N)	
		Black colour		White colour		E	A	B	S	G	I	Z	U	T	DF		C		C0
		Closed type	Open type	Closed type	Open type										Max	Min			
20	UCFL 204 C	80262	80263	84644	84645	90	118	64	10,5	19	15,5	33,5	44	46,5	45	40	12800	6600	8500
25	UCFL 205 C	80067	80071	84646	84647	99	131	72	10,5	22	17	36	47	49	50	45	14000	7800	10000
30	UCFL 206 C	80068	80072	84648	84649	117	149	86	10,5	26	20	41	54	56	60	50	19500	11300	13000
35	UCFL 207 C	80069	80073	84650	84651	130	163	94	10,5	26	20	45	57	59	70	55	25500	15300	14000

STAINLESS STEEL BEARING AISI 440																			
D	SERIE	CODES				DIMENSIONS (mm)										Bearing load (N)		Bearing support load (N)	
		Black colour		White colour		E	A	B	S	G	I	Z	U	T	DF		C		C0
		Closed type	Open type	Closed type	Open type										Max	Min			
20	UCFL 204 C	81062	81063	84652	84653	90	118	64	10,5	19	15,5	33,5	44	46,5	45	40	8300	6550	8500
25	UCFL 205 C	81064	81065	84654	84655	99	131	72	10,5	22	17	36	47	49	50	45	9150	7800	10000
30	UCFL 206 C	81066	81067	84656	84657	117	149	86	10,5	26	20	41	54	56	60	50	12500	11200	13000
35	UCFL 207 C	81068	81069	84658	84659	130	163	94	10,5	26	20	45	57	59	70	55	16600	15300	14000

VERSIONS WITH MEASURES IN INCHES

CHROME STEEL BEARING																			
D (inches) (mm)	SERIE	CODES				DIMENSIONS (mm)										Bearing load (N)		Bearing support load (N)	
		Black colour		White colour		E	A	B	S	G	I	Z	U	T	DF		C		C0
		Closed type	Open type	Closed type	Open type										Max	Min			
1" 25,4	UCFL 205 C	84506	84507	84891	84892	99	131	72	10,5	22	17	36	47	49	50	45	14000	7800	10000
1" 1/4 31,75	UCFL 206 C	84508	84509	84893	84894	117	149	86	10,5	26	20	41	54	56	60	50	19500	11300	13000

MATERIALS: Support made out of black or white colour PA + glass fiber; chrome steel or stainless steel bearing; greaser made out of nickel plated brass; reinforcement bushings and washers made out of stainless steel AISI 304; gaskets made out of NBR rubber; cover made out of polypropylene, grey colour RAL 7042.

FEATURES: Full protection of bearing against external agents. Assembly with not shouldered shafts. Maximum shaft alignment error 2.5°.

BOX QUANTITY: 8 pieces.

ON REQUEST: Versions with body in polypropylene + glass fiber and antibacterial additive; protection cover in different colors and with customized brand; box quantity according to your request; Viton gaskets, "Long life" bearings.



Oval flanged bearing supports

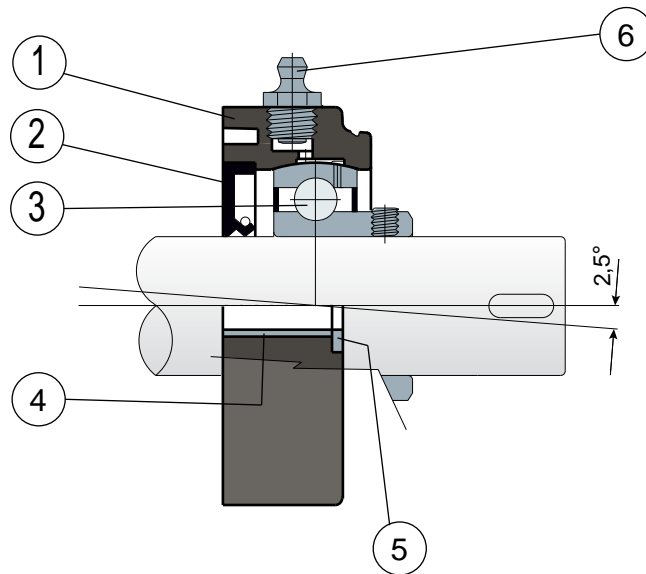
Serie **UCFL/CX**



NEW

New product line with support body in PA white colour.

Without protection cover



- 1) Support body made out of black or white polyamide reinforced with glass fibers.
- 2) Back gasket made out of NBR rubber for turning shaft seal.
- 3) Chrome steel or stainless steel bearing AISI 440.
- 4) Spacer for fixing reinforcement made out of stainless steel AISI 304.
- 5) UNI 6592 support washer made out of stainless steel AISI 304.
- 6) Greaser for relubrication made out of nickel-plated brass.

NOTE: The only difference from UCFL/C series is lack of protection cover, which can be ordered separately as an accessory.

Support dimensions respect ISO 3228 set of rules.

Maximum shaft alignment error 2,5°

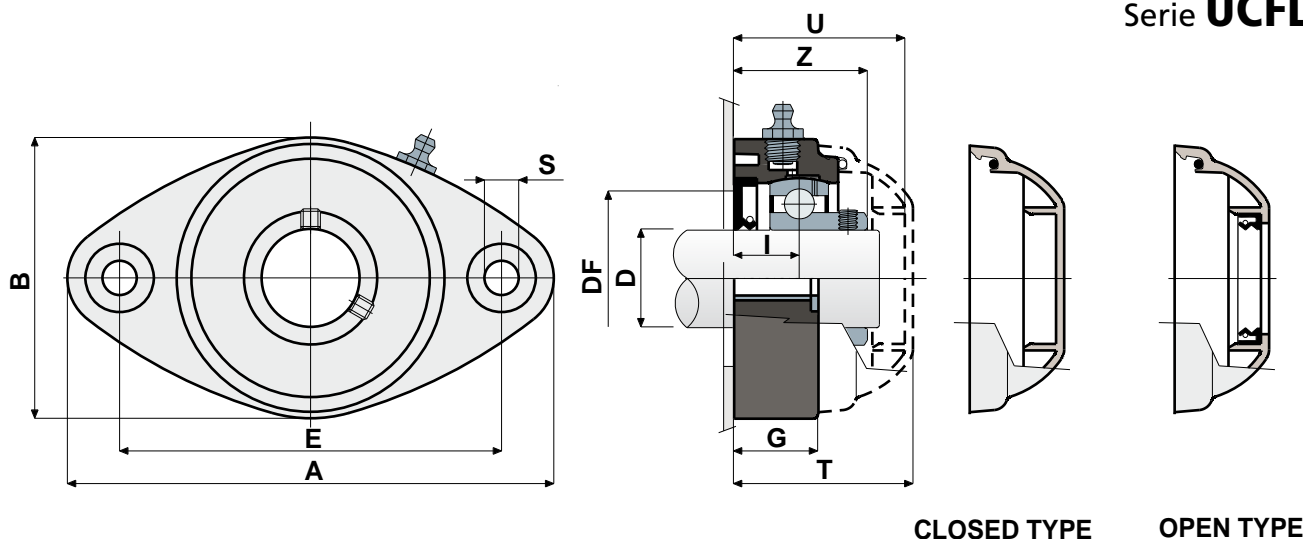
For further information please contact our technical office or sales department.



Oval flanged bearing supports

Technical data

Serie **UCFL/CX**



CLOSED TYPE

OPEN TYPE

CHROME STEEL BEARING																			
D	SERIE	Support CODES		DIMENSIONS (mm)											Bearing load (N)		Bearing support load	COVER CODES	
		Black colour	White colour	E	A	B	S	G	I	Z	U	T	DF		C	C0	(N)	Closed type	Open type
20	UCFL 204 CX	80264	84660	90	118	64	10,5	19	15,5	33,5	44	46,5	45	40	12800	6600	8500	80254	80255
25	UCFL 205 CX	80181	84661	99	131	72	10,5	22	17	36	47	49	50	45	14000	7800	10000	80075	80076
30	UCFL 206 CX	80182	84662	117	149	86	10,5	26	20	41	54	56	60	50	19500	11300	13000	80011	80053
35	UCFL 207 CX	80183	84663	130	163	94	10,5	26	20	45	57	59	70	55	25500	15300	14000	80077	80078

STAINLESS STEEL BEARING AISI 440																			
D	SERIE	Support CODES		DIMENSIONS (mm)											Bearing load (N)		Bearing support load	COVER CODES	
		Black colour	White colour	E	A	B	S	G	I	Z	U	T	DF		C	C0	(N)	Closed type	Open type
20	UCFL 204 CX	81053	84664	90	118	64	10,5	19	15,5	33,5	44	46,5	45	40	8300	6550	8500	80254	80255
25	UCFL 205 CX	81054	84665	99	131	72	10,5	22	17	36	47	49	50	45	9150	7800	10000	80075	80076
30	UCFL 206 CX	81055	84666	117	149	86	10,5	26	20	41	54	56	60	50	12500	11200	13000	80011	80053
35	UCFL 207 CX	81056	84667	130	163	94	10,5	26	20	45	57	59	70	55	16600	15300	14000	80077	80078

VERSIONS WITH MEASURES IN INCHES

CHROME STEEL BEARING																			
D (inches)	SERIE	Support CODES		DIMENSIONS (mm)											Bearing load (N)		Bearing support load	COVER CODES	
		Black colour	White colour	E	A	B	S	G	I	Z	U	T	DF		C	C0	(N)	Closed type	Open type
1"	25,4 UCFL 205 CX	84510	84899	99	131	72	10,5	22	17	36	47	49	50	45	14000	7800	10000	80075	85202
1 1/4"	31,75 UCFL 206 CX	84511	84900	117	149	86	10,5	26	20	41	54	56	60	50	19500	11300	13000	80011	85203

MATERIALS: Support made out of black or white colour PA + glass fiber; chrome steel or stainless steel bearing; greaser made out of nickel plated brass; reinforcement bushings and washers made out of stainless steel AISI 304; gaskets made out of NBR rubber; cover made out of polypropylene, grey colour RAL 7042.
FEATURES: The difference from UCFL/C series is lack of protection cover which can be ordered separately as an accessory. Assembly with not shouldered shafts. Maximum shaft alignment error 2.5°.

BOX QUANTITY: 8 pieces.

ON REQUEST: Versions with body in polypropylene + glass fiber and antibacterial additive; protection cover in different colors and with customized brand; box quantity according to your request; Viton gaskets, "Long life" bearings.



Oval flanged bearing supports

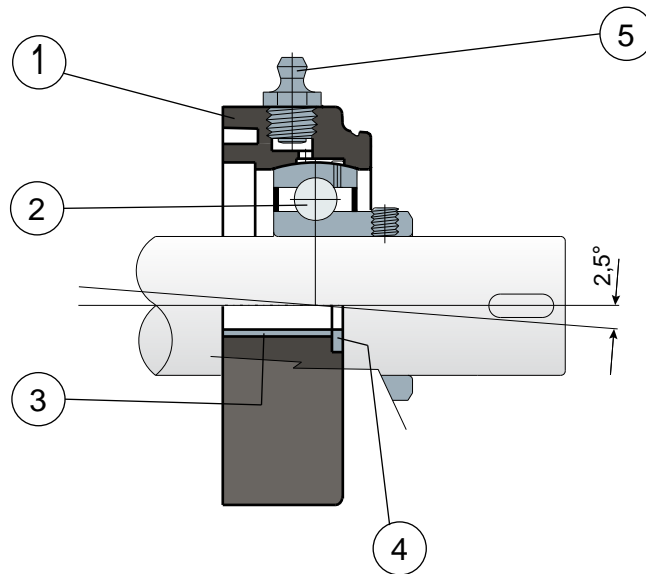
Serie **UCFL**



NEW

New product line with support body in PA white colour.

Without cover and back gasket



- 1) Support body made out of black or white polyamide reinforced with glass fibers.
- 2) Chrome steel or stainless steel bearing AISI 440.
- 3) Spacer for fixing reinforcement made out of stainless steel AISI 304.
- 4) UNI 6592 support washer made out of stainless steel AISI 304.
- 5) Greaser for relubrication made out of nickel-plated brass.

NOTE: The only difference from UCFL/C series is lack of back gasket and protection cover, which can be ordered separately as accessories.

Support dimensions respect ISO 3228 set of rules.

Maximum shaft alignment error 2,5°

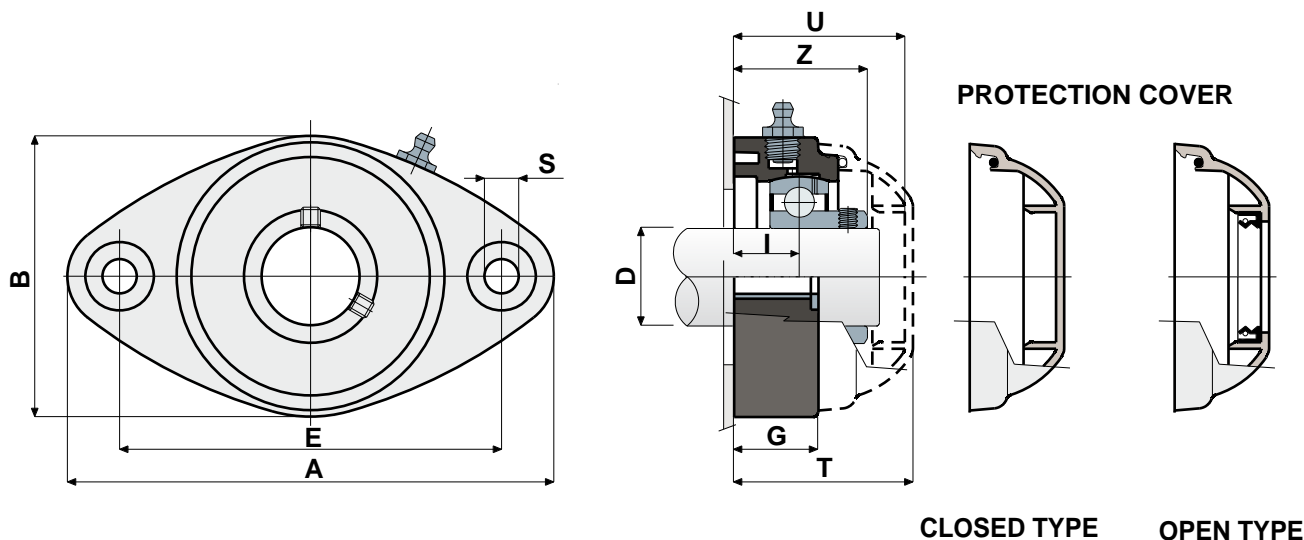
For further information please contact our technical office or sales department.



Oval flanged bearing supports

Technical data

Serie **UCFL**



CHROME STEEL BEARING																	
D	SERIE	Support CODES		DIMENSIONS (mm)								Bearing load (N)		Bearing support load	COVER CODES		
		Black colour	White colour	E	A	B	S	G	I	Z	U	T	C	C0	(N)	Closed type	Open type
20	UCFL 204	80265	84668	90	118	64	10,5	19	15,5	33,5	44	46,5	12800	6600	8500	80254	80255
25	UCFL 205	80063	84669	99	131	72	10,5	22	17	36	47	49	14000	7800	10000	80075	80076
30	UCFL 206	80064	84670	117	149	86	10,5	26	20	41	54	56	19500	11300	13000	80011	80053
35	UCFL 207	80065	84671	130	163	94	10,5	26	20	45	57	59	25500	15300	14000	80077	80078

STAINLESS STEEL BEARING AISI 440																	
D	SERIE	Support CODES		DIMENSIONS (mm)								Bearing load (N)		Bearing support load	COVER CODES		
		Black colour	White colour	E	A	B	S	G	I	Z	U	T	C	C0	(N)	Closed type	Open type
20	UCFL 204	80519	84672	90	118	64	10,5	19	15,5	33,5	44	46,5	8500	6550	8500	80254	80255
25	UCFL 205	80520	84673	99	131	72	10,5	22	17	36	47	49	9150	7800	10000	80075	80076
30	UCFL 206	80521	84674	117	149	86	10,5	26	20	41	54	56	12500	11200	13000	80011	80053
35	UCFL 207	80522	84675	130	163	94	10,5	26	20	45	57	59	16600	15300	14000	80077	80078

VERSIONS WITH MEASURES IN INCHES

CHROME STEEL BEARING																		
D (inches)	D (mm)	SERIE	Support CODES		DIMENSIONS (mm)								Bearing load (N)		Bearing support load	COVER CODES		
			Black colour	White colour	E	A	B	S	G	I	Z	U	T	C	C0	(N)	Closed type	Open type
1"	25,4	UCFL 205	84513	84903	99	131	72	10,5	22	17	36	47	49	14000	7800	10000	80075	85202
1 1/4"	31,75	UCFL 206	84514	84904	117	149	86	10,5	26	20	41	54	56	19500	11300	13000	80011	85203

MATERIALS: Support made out of black or white colour PA + glass fiber; chrome steel or stainless steel bearing; greaser made out of nickel plated brass; reinforcement bushings and washers made out of stainless steel AISI 304; gaskets made out of NBR rubber; cover made out of polypropylene, grey colour RAL 7042.

FEATURES: The difference from UCFL/C series is lack of back gasket and protection cover, which can be ordered separately as accessories. Assembly with shouldered and not shouldered shafts. Maximum shaft alignment error 2.5°.

BOX QUANTITY: 8 pieces.

ON REQUEST: Versions with body in polypropylene + glass fiber and antibacterial additive; protection cover in different colors and with customized brand; box quantity according to your request; Viton gaskets, "Long life" bearings.

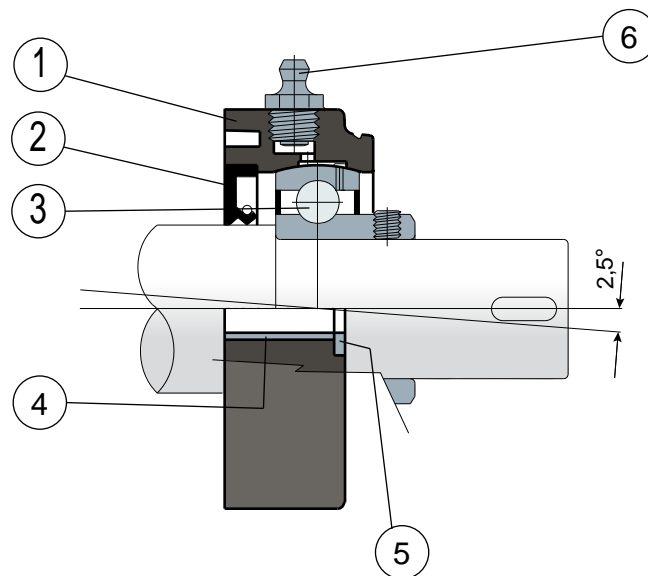


Oval flanged bearing supports

Serie **UCFL/CS**



Back gasket for shouldered shaft



- 1) Support body made out of polyamide reinforced with glass fibers.
- 2) Back gasket made out of NBR rubber for turning shaft seal.
- 3) Chrome steel or stainless steel bearing AISI 440.
- 4) Spacer for fixing reinforcement made out of stainless steel AISI 304.
- 5) UNI 6592 support washer made out of stainless steel AISI 304.
- 6) Greaser for relubrication made out of nickel-plated brass.

Support dimensions respect ISO 3228 set of rules.

Maximum shaft alignment error 2,5°

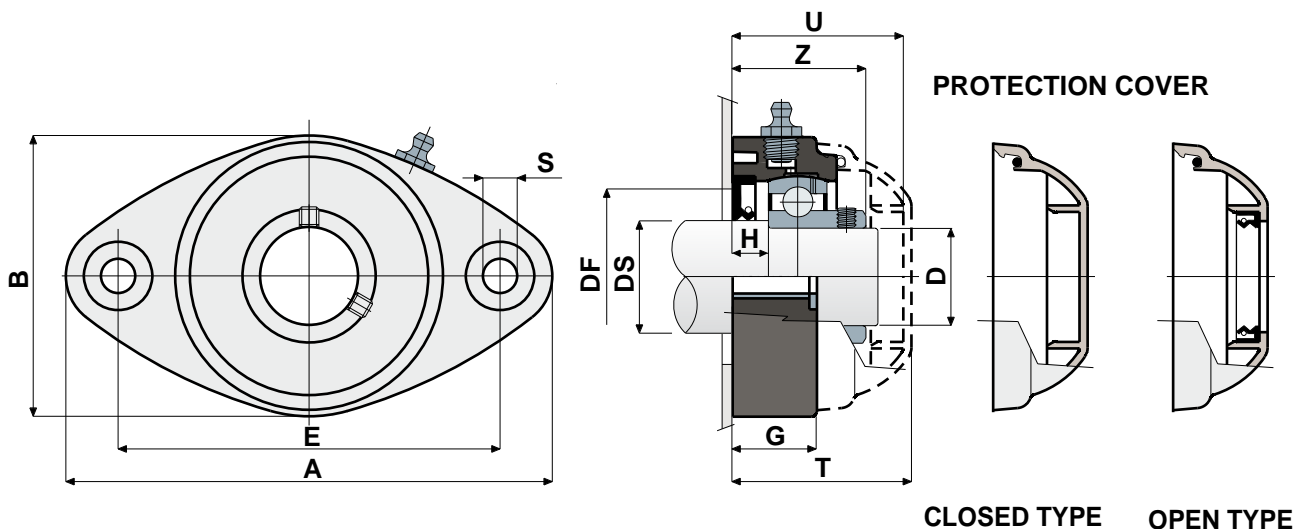
For further information please contact our technical office or sales department.



Oval flanged bearing supports

Technical data

Serie **UCFL/CS**



CHROME STEEL BEARING																			
DS	D	SERIE	Support CODES	DIMENSIONS (mm)											Bearing load (N)		Bearing support load (N)	COVER CODES	
				E	A	B	S	G	H	Z	U	T	DF		C	C0		Closed type	Open type
25	20	UCFL 204 CS	80266	90	118	64	10,5	19	8,5	33,5	44	46,5	45	40	12800	6600	8500	80254	80255
30	25	UCFL 205 CS	80184	99	131	72	10,5	22	10	36	47	49	50	45	14000	7800	10000	80075	80076
35	30	UCFL 206 CS	80185	117	149	86	10,5	26	11,5	41	54	56	60	50	19500	11300	13000	80011	80053
40	35	UCFL 207 CS	80186	130	163	94	10,5	26	10,5	45	57	59	70	55	25500	15300	14000	80077	80078

STAINLESS STEEL BEARING AISI 440																			
DS	D	SERIE	Support CODES	DIMENSIONS (mm)											Bearing load (N)		Bearing support load (N)	COVER CODES	
				E	A	B	S	G	H	Z	U	T	DF		C	C0		Closed type	Open type
25	20	UCFL 204 CS	84148	90	118	64	10,5	19	8,5	33,5	44	46,5	45	40	12800	6600	8500	80254	80255
30	25	UCFL 205 CS	83907	99	131	72	10,5	22	10	36	47	49	50	45	14000	7800	10000	80075	80076
35	30	UCFL 206 CS	80523	117	149	86	10,5	26	11,5	41	54	56	60	50	19500	11300	13000	80011	80053
40	35	UCFL 207 CS	84150	130	163	94	10,5	26	10,5	45	57	59	70	55	25500	15300	14000	80077	80078

MATERIALS: Support made out of PA + glass fiber black colour; chrome steel bearing; greaser made out of nickel plated brass; reinforcement bushings and washers made out of stainless steel AISI 304; gaskets made out of NBR rubber; cover made out of polypropylene, grey colour RAL 7042.

FEATURES: Back gasket for shouldered shafts. Use of shouldered shafts allows a higher capability of axial load. Maximum shaft alignment error 2.5°.

BOX QUANTITY: 8 pieces.

ON REQUEST: Versions with body in polypropylene + glass fiber and antibacterial additive (external body in white color); protection cover in different colors and with customized brand; box quantity according to your request; Viton gaskets, "Long life" bearings.



Oval flanged bearing supports

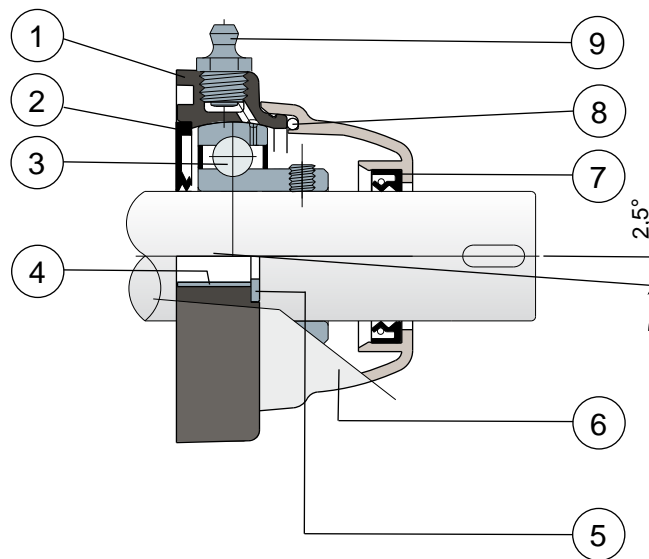
Serie **MUCFL/C**



NEW

New product line with support body in PA white colour.

Full protection of bearing



- 1) Support body made out of black or white polyamide reinforced with glass fibers.
- 2) Back gasket made out of NBR rubber for turning shaft seal.
- 3) Chrome steel or stainless steel bearing AISI 440.
- 4) Spacer for fixing reinforcement made out of stainless steel AISI 304.
- 5) UNI 6592 support washer made out of stainless steel AISI 304.
- 6) Protection cover made out of polypropylene (grey colour Ral 7042).
- 7) Front gasket made out of NBR rubber for turning shaft seal.
- 8) OR gasket made out of NBR rubber
- 9) Greaser for relubrication made out of nickel-plated brass.

Maximum shaft alignment error 2,5°

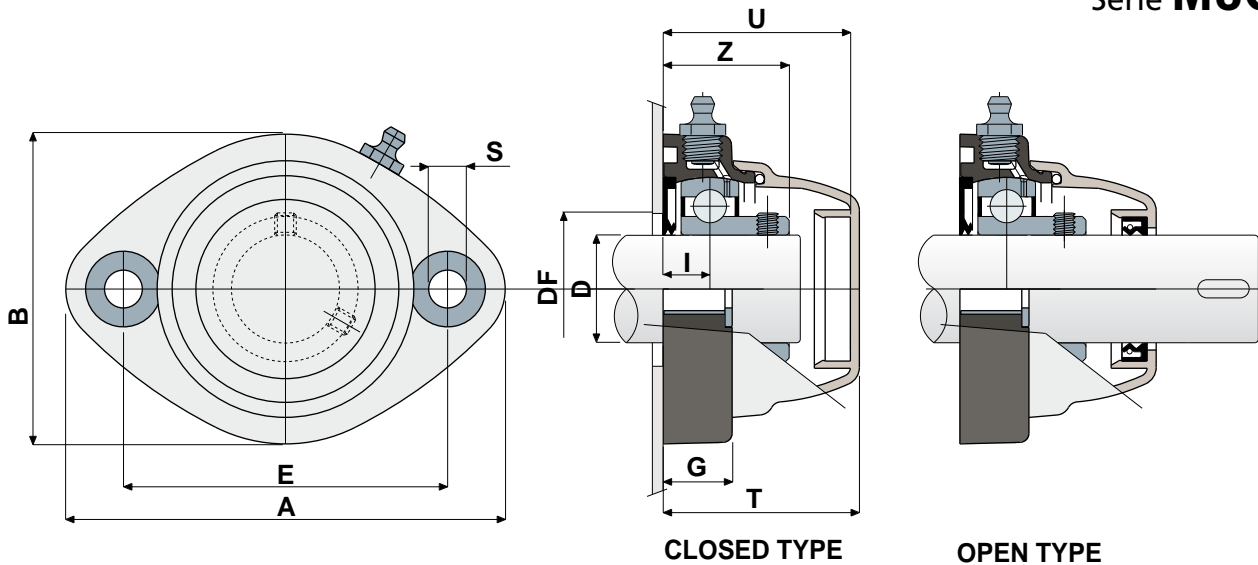
For further information please contact our technical office or sales department.



Oval flanged bearing supports

Technical data

Serie **MUCFL/C**



CHROME STEEL BEARING																			
D	SERIE	CODES				DIMENSIONS (mm)										Bearing load (N)		Bearing support load (N)	
		Black colour		White colour		E	A	B	S	G	I	Z	U	T	DF		C		C0
		Closed type	Open type	Closed type	Open type										Max	Min			
20	MUCFL 204 C	82858	82857	84676	84677	90	122	86	10,5	19	16	34	44	46,5	45	40	12800	6600	8500
25	MUCFL 205 C	82860	82859	84678	84679	90	122	86	10,5	19	15,5	35	44	46,5	50	45	14000	7800	10000
30	MUCFL 206 C	82409	82408	84680	84681	90	122	86	10,5	19	13	35	52	54,5	60	50	19500	11300	13000
35	MUCFL 207 C	84014	83989	84682	84683	117	147	112	10,5	27	20	45,3	57	59,6	70	55	25500	15300	14000
40	MUCFL 208 C	84015	83990	84684	84685	117	147	112	10,5	27	20	48,5	65,5	68	78	65	30700	19000	15000

STAINLESS STEEL BEARING AISI 440																			
D	SERIE	CODES				DIMENSIONS (mm)										Bearing load (N)		Bearing support load (N)	
		Black colour		White colour		E	A	B	S	G	I	Z	U	T	DF		C		C0
		Closed type	Open type	Closed type	Open type										Max	Min			
20	MUCFL 204 C	82870	82869	84686	84687	90	122	86	10,5	19	16	34	44	46,5	45	40	8300	6550	8500
25	MUCFL 205 C	82868	82867	84688	84689	90	122	86	10,5	19	15,5	35	44	46,5	50	45	9150	7800	10000
30	MUCFL 206 C	82767	82766	84690	84691	90	122	86	10,5	19	13	35	52	54,5	60	50	12500	11200	13000
35	MUCFL 207 C	84017	84018	84692	84693	117	147	112	10,5	27	20	45,3	57	59,6	70	55	16600	15300	14000
40	MUCFL 208 C	84016	83991	84694	84695	117	147	112	10,5	27	20	48,5	65,5	68	78	65	20000	19000	15000

VERSIONS WITH MEASURES IN INCHES

CHROME STEEL BEARING																			
D (inches) (mm)	SERIE	CODES				DIMENSIONS (mm)										Bearing load (N)		Bearing support load (N)	
		Black colour		White colour		E	A	B	S	G	I	Z	U	T	DF		C		C0
		Closed type	Open type	Closed type	Open type										Max	Min			
1" 25,4	MUCFL 205 C	84515	84539	84979	84980	90	122	86	10,5	19	15,5	35	44	46,5	50	45	14000	7800	10000
1 1/4" 31,75	MUCFL 206 C	84516	84540	84981	84982	90	122	86	10,5	19	13	35	52	54,5	60	50	19500	11300	13000

MATERIALS: Support made out of black or white colour PA + glass fiber; chrome steel or stainless steel bearing, greaser made out of nickel plated brass; reinforcement bushings and washers made out of stainless steel AISI 304; gaskets made out of NBR rubber; cover made out of polypropylene, grey colour RAL 7042.

FEATURES: Full protection of bearing against external agents. Assembly with not shouldered shafts. Maximum shaft alignment error 2.5°.

BOX QUANTITY: 8 pieces.

ON REQUEST: Versions with body in polypropylene + glass fiber and antibacterial additive; protection cover in different colors and with customized brand; box quantity according to your request; Viton gaskets, "Long life" bearings.



Oval flanged bearing supports

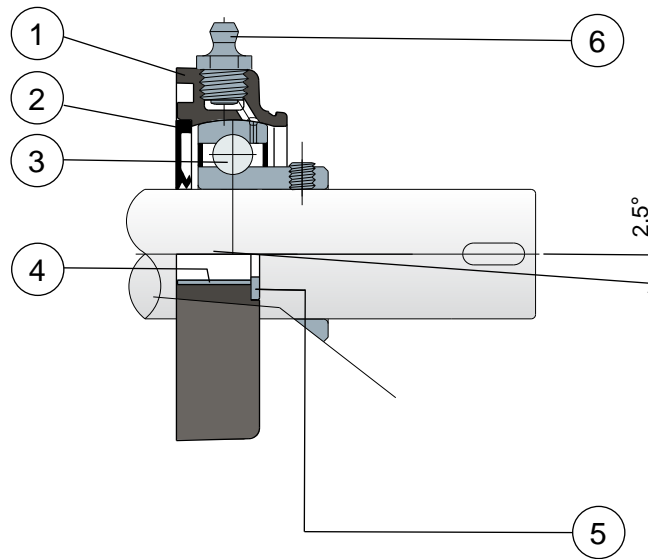
Serie **MUCFL/CX**



NEW

New product line with support body in PA white colour.

Without protection cover



- 1) Support body made out of black or white polyamide reinforced with glass fibers.
- 2) Back gasket made out of NBR rubber for turning shaft seal.
- 3) Chrome steel or stainless steel bearing AISI 440.
- 4) Spacer for fixing reinforcement made out of stainless steel AISI 304.
- 5) UNI 6592 support washer made out of stainless steel AISI 304.
- 6) Greaser for relubrication made out of nickel-plated brass.

NOTE: The only difference from MUCFL/C series is lack of protection cover, which can be ordered separately as an accessory.

Maximum shaft alignment error 2,5°

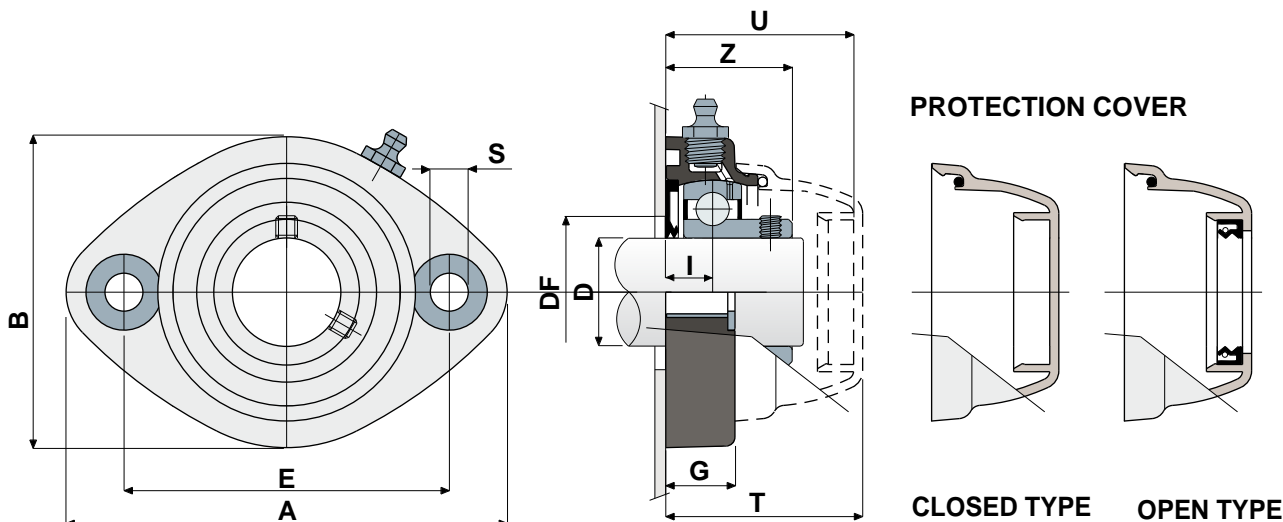
For further information please contact our technical office or sales department.



Oval flanged bearing supports

Technical data

Serie **MUCFL/CX**



CHROME STEEL BEARING																			
D	SERIE	Support CODES		DIMENSIONS (mm)										Bearing load (N)		Bearing support load	COVER CODES		
		Black colour	White colour	E	A	B	S	G	I	Z	U	T	DF Max	DF Min	C	C0	(N)	Closed type	Open type
20	MUCFL 204 CX	83035	84696	90	122	86	10,5	19	16	34	44	46,5	45	40	12800	6600	8500	80254	80255
25	MUCFL 205 CX	83036	84697	90	122	86	10,5	19	15,5	35	44	46,5	50	45	14000	7800	10000	80075	80076
30	MUCFL 206 CX	80540	84698	90	122	86	10,5	19	13	35	52	54,5	60	50	19500	11300	13000	82765	82764
35	MUCFL 207 CX	83992	84699	117	147	112	10,5	27	20	45,3	57	59,6	70	55	25500	15300	14000	80077	80078
40	MUCFL 208 CX	83993	84700	117	147	112	10,5	27	20	48,5	65,5	68	78	65	30700	19000	15000	80256	80257

STAINLESS STEEL BEARING AISI 440																			
D	SERIE	Support CODES		DIMENSIONS (mm)										Bearing load (N)		Bearing support load	COVER CODES		
		Black colour	White colour	E	A	B	S	G	I	Z	U	T	DF Max	DF Min	C	C0	(N)	Closed type	Open type
20	MUCFL 204 CX	83045	84701	90	122	86	10,5	19	16	34	44	46,5	45	40	8300	6550	8500	80254	80255
25	MUCFL 205 CX	83046	84702	90	122	86	10,5	19	15,5	35	44	46,5	50	45	9150	7800	10000	80075	80076
30	MUCFL 206 CX	83047	84703	90	122	86	10,5	19	13	35	52	54,5	60	50	12500	11200	13000	82765	82764
35	MUCFL 207 CX	84019	84704	117	147	112	10,5	27	20	45,3	57	59,6	70	55	16600	15300	14000	80077	80078
40	MUCFL 208 CX	83994	84705	117	147	112	10,5	27	20	48,5	65,5	68	78	65	20000	19000	15000	80256	80257

VERSIONS WITH MEASURES IN INCHES

CHROME STEEL BEARING																				
D (inches)	D (mm)	SERIE	Support CODES		DIMENSIONS (mm)										Bearing load (N)		Bearing support load	COVER CODES		
			Black colour	White colour	E	A	B	S	G	I	Z	U	T	DF Max	DF Min	C	C0	(N)	Closed type	Open type
1"	25,4	MUCFL 205 CX	84517	84983	90	122	86	10,5	19	15,5	35	44	46,5	50	45	14000	7800	10000	80075	85202
1 1/4"	31,75	MUCFL 206 CX	84518	84984	90	122	86	10,5	19	13	35	52	54,5	60	50	19500	11300	13000	82765	85206

MATERIALS: Support made out of black or white colour PA + glass fiber; chrome steel or stainless steel bearing; greaser made out of nickel plated brass; reinforcement bushings and washers made out of stainless steel AISI 304; gaskets made out of NBR rubber; cover made out of polypropylene, grey colour RAL 7042.
FEATURES: The difference from MUCFL/C series is lack of protection cover which can be ordered separately as an accessory. Assembly with not shouldered shafts. Maximum shaft alignment error 2.5°.

BOX QUANTITY: 8 pieces.

ON REQUEST: Versions with body in polypropylene + glass fiber and antibacterial additive; protection cover in different colors and with customized brand; box quantity according to your request; Viton gaskets, "Long life" bearings.



Oval flanged bearing supports

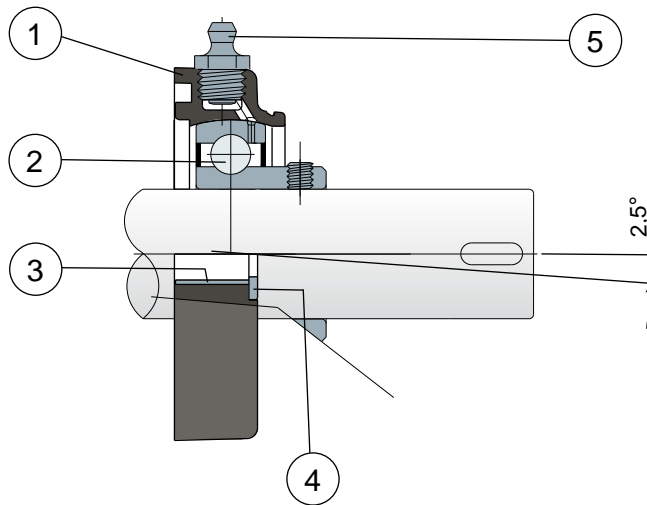
Serie **MUCFL**



NEW

New product line with support body in PA white colour.

Without cover and back gasket



- 1) Support body made out of black or white polyamide reinforced with glass fibers.
- 2) Chrome steel or stainless steel bearing AISI 440.
- 3) Spacer for fixing reinforcement made out of stainless steel AISI 304.
- 4) UNI 6592 support washer made out of stainless steel AISI 304.
- 5) Greaser for relubrication made out of nickel-plated brass.

NOTE: The only difference from MUCFL/C series is lack of back gasket and protection cover, which can be ordered separately as accessories.

Maximum shaft alignment error 2,5°

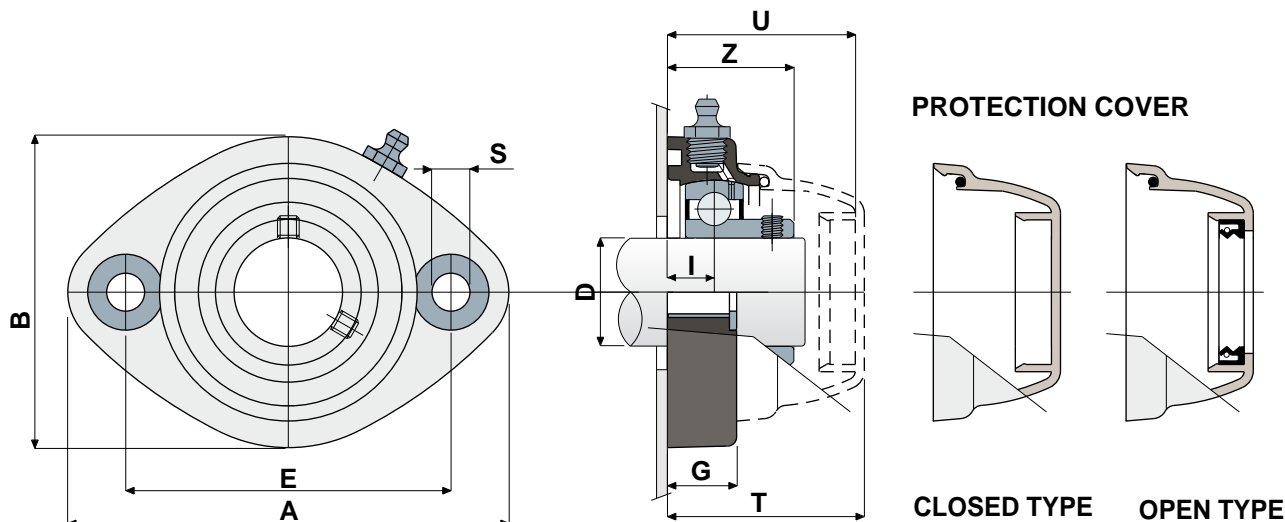
For further information please contact our technical office or sales department.



Oval flanged bearing supports

Technical data

Serie **MUCFL**



CHROME STEEL BEARING																	
D	SERIE	Support CODES		DIMENSIONS (mm)									Bearing load (N)		Bearing support load	COVER CODES	
		Black colour	White colour	E	A	B	S	G	I	Z	U	T	C	C0	(N)	Closed type	Open type
20	MUCFL 204	83037	84706	90	122	86	10,5	19	16	34	44	46,5	12800	6600	8500	80254	80255
25	MUCFL 205	83038	84707	90	122	86	10,5	19	15,5	35	44	46,5	14000	7800	10000	80075	80076
30	MUCFL 206	80542	84708	90	122	86	10,5	19	13	35	52	54,5	19500	11300	13000	82765	82764
35	MUCFL 207	83995	84709	117	147	112	10,5	27	20	45,3	57	59,6	25500	15300	14000	80077	80078
40	MUCFL 208	83996	84710	117	147	112	10,5	27	20	48,5	65,5	68	30700	19000	15000	80256	80257

STAINLESS STEEL BEARING AISI 440																	
D	SERIE	Support CODES		DIMENSIONS (mm)									Bearing load (N)		Bearing support load	COVER CODES	
		Black colour	White colour	E	A	B	S	G	I	Z	U	T	C	C0	(N)	Closed type	Open type
20	MUCFL 204	83048	84711	90	122	86	10,5	19	16	34	44	46,5	8300	6550	8500	80254	80255
25	MUCFL 205	83049	84712	90	122	86	10,5	19	15,5	35	44	46,5	9150	7800	10000	80075	80076
30	MUCFL 206	83050	84713	90	122	86	10,5	19	13	35	52	54,5	12500	11200	13000	82765	82764
35	MUCFL 207	84020	84714	117	147	112	10,5	27	20	45,3	57	59,6	16600	15300	14000	80077	80078
40	MUCFL 208	83997	84715	117	147	112	10,5	27	20	48,5	65,5	68	20000	19000	15000	80256	80257

VERSIONS WITH MEASURES IN INCHES

CHROME STEEL BEARING																		
D (inches)	D (mm)	SERIE	Support CODES		DIMENSIONS (mm)									Bearing load (N)		Bearing support load	COVER CODES	
			Black colour	White colour	E	A	B	S	G	I	Z	U	T	C	C0	(N)	Closed type	Open type
1"	25,4	MUCFL 205	84519	84985	90	122	86	10,5	19	15,5	35	44	46,5	14000	7800	10000	80075	85202
1 1/4"	31,75	MUCFL 206	84520	84986	90	122	86	10,5	19	13	35	52	54,5	19500	11300	13000	82765	85206

MATERIALS: Support made out of black or white colour PA + glass fiber; chrome steel or stainless steel bearing; greaser made out of nickel plated brass; reinforcement bushings and washers made out of stainless steel AISI 304; gaskets made out of NBR rubber; cover made out of polypropylene, grey colour RAL 7042.
FEATURES: The difference from MUCFL/C series is lack of back gasket and protection cover, which can be ordered separately as accessories. Assembly with shouldered and not shouldered shafts. Maximum shaft alignment error 2.5°.

BOX QUANTITY: 8 pieces.

ON REQUEST: Versions with body in polypropylene + glass fiber and antibacterial additive; protection cover in different colors and with customized brand; box quantity according to your request; Viton gaskets, "Long life" bearings.

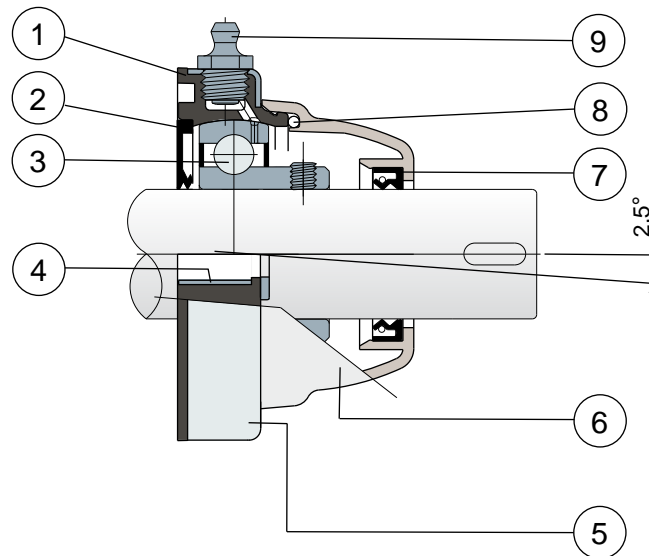


Oval flanged bearing supports

Serie **UCFL/CA**



External cover made out of stainless steel AISI 304



- 1) Internal body of support made out of polypropylene reinforced with glass fibers.
- 2) Back gasket made out of NBR rubber for turning shaft seal.
- 3) Chrome steel or stainless steel bearing AISI 440.
- 4) Spacer for fixing reinforcement made out of stainless steel AISI 304.
- 5) External cover of support made out of AISI 304 stainless steel.
- 6) Protection cover made out of polypropylene (grey colour Ral 7042).
- 7) Front gasket made out of NBR rubber for turning shaft seal.
- 8) OR gasket made out of NBR rubber
- 9) Greaser for relubrication made out of nickel-plated brass.

Maximum shaft alignment error 2,5°

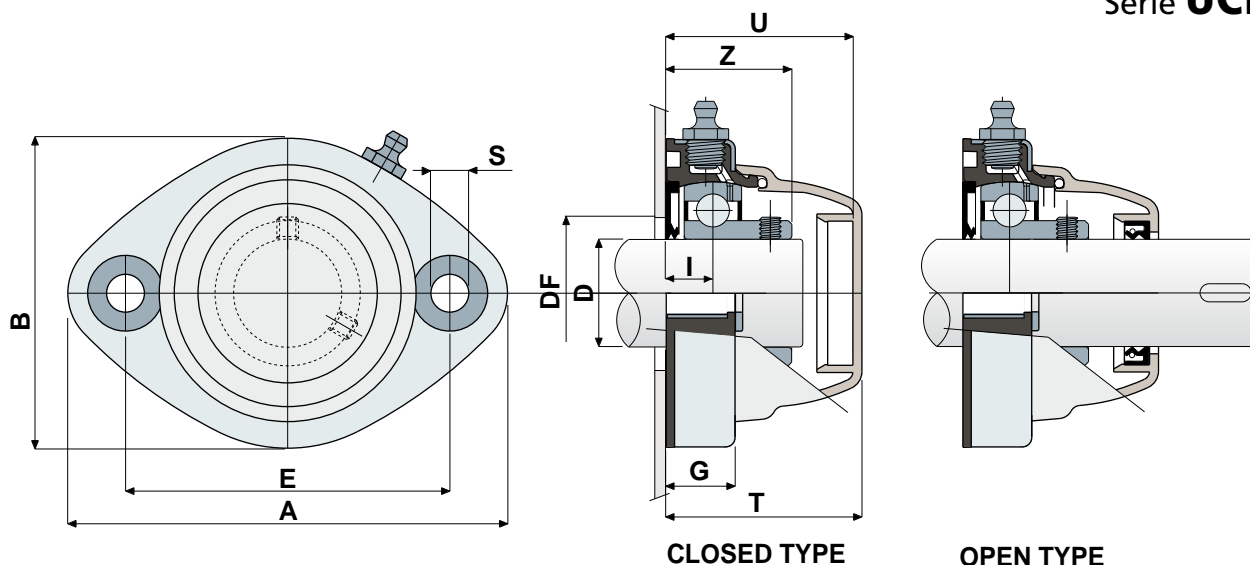
For further information please contact our technical office or sales department.



Oval flanged bearing supports

Technical data

Serie **UCFL/CA**



D (mm)	SERIE	CODES		DIMENSIONS (mm)											Bearing load (N)		Bearing support load (N)
		Closed type	Open type	E	A	B	S	G	I	Z	U	T	DF		C	C0	
													Max	Min			
30	UCFL 206 CA	84021	83999	117	147	112	11	27	21	42	65,5	68	60	50	19500	11300	13000
35	UCFL 207 CA	84022	84000	117	147	112	11	27	20	45,3	65,5	68	70	55	25500	15300	14000
40	UCFL 208 CA	84023	84001	117	147	112	11	27	20	48,5	65,5	68	78	65	30700	19000	15000

D (mm)	SERIE	CODES		DIMENSIONS (mm)											Bearing load (N)		Bearing support load (N)
		Closed type	Open type	E	A	B	S	G	I	Z	U	T	DF		C	C0	
													Max	Min			
30	UCFL 206 CA	84024	84002	117	147	112	11	27	21	42	65,5	68	60	50	12500	11200	13000
35	UCFL 207 CA	84006	84003	117	147	112	11	27	20	45,3	65,5	68	70	55	16600	15300	14000
40	UCFL 208 CA	84010	84005	117	147	112	11	27	20	48,5	65,5	68	78	65	20000	19000	15000

VERSIONS WITH MEASURES IN INCHES

D (inches) (mm)	SERIE	CODES		DIMENSIONS (mm)											Bearing load (N)		Bearing support load (N)
		Closed type	Open type	E	A	B	S	G	I	Z	U	T	DF		C	C0	
													Max	Min			
1" 1/4 31,75	UCFL 206 CA	84521	84541	117	147	112	11	27	21	42	65,5	68	60	50	19500	11300	13000

MATERIALS: Support made out of PP + glass fiber; external cover of support made out of AISI 304 stainless steel; chrome steel or stainless steel bearing; greaser made out of nickel plated brass; reinforcement bushings made out of AISI 304 stainless steel; gaskets made out of NBR rubber; protection cover made out of polypropylene grey colour RAL 7042.

FEATURES: Full protection of bearing against external agents. Support body made out of polypropylene covered by an AISI 304 stainless steel later, to obtain the maximum chemical resistance to antibacterial detergents used in food processing field. More over this part is moulded without internal cavities in order to obtain the best sanitation. Assembly with not shouldered shaft. Maximum shaft alignment error 2.5°.

BOX QUANTITY: 8 pieces.

ON REQUEST: Protection covers in different colors and with customized brand; internal body in reinforced polypropylene white color; box quantity according to your request; Viton gaskets, "Long life" bearings.

S Self-aligning bearings with Solid body: completely closed surface to guarantee the max hygiene.

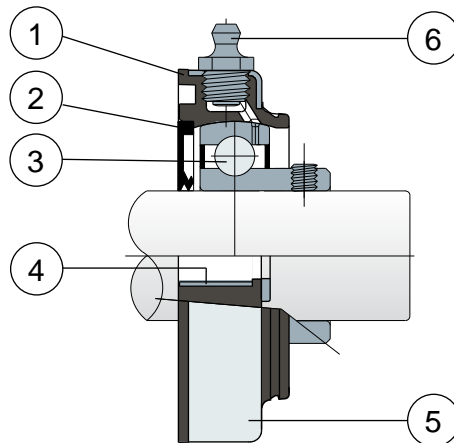


Oval flanged bearing supports

Serie **UCFL/CXA**



External cover made out of stainless steel AISI 304; without protection cover



- 1) Internal body of support made out of polypropylene reinforced with glass fibers.
- 2) Back gasket made out of NBR rubber for turning shaft seal.
- 3) Chrome steel or stainless steel bearing AISI 440.
- 4) Spacer for fixing reinforcement made out of stainless steel AISI 304.
- 5) External cover of support made out of AISI 304 stainless steel.
- 6) Greaser for relubrication made out of nickel-plated brass.

NOTE: The only difference from UCFL/CA series is lack of protection cover, which can be ordered separately as an accessory.

Maximum shaft alignment error 2,5°

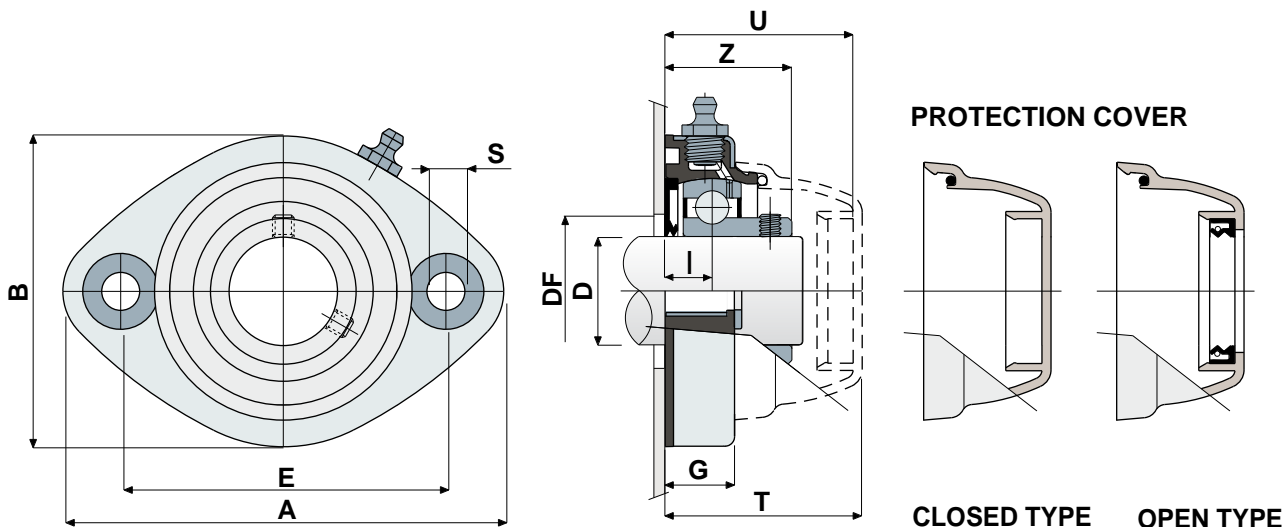
For further information please contact our technical office or sales department.



Oval flanged bearing supports

Technical data

Serie **UCFL/CXA**



CHROME STEEL BEARING																		
D (mm)	SERIE	Support CODES	DIMENSIONS (mm)										Bearing load (N)		Bearing support load	COVER CODES		
			E	A	B	S	G	I	Z	U	T	DF Max	DF Min	C	C0	(N)	Closed type	Open type
30	UCFL 206 CXA	84007	117	147	112	11	27	21	42	65,5	68	60	50	19500	11300	13000		
35	UCFL 207 CXA	84008	117	147	112	11	27	20	45,3	65,5	68	70	55	25500	15300	14000	80256	80495
40	UCFL 208 CXA	84009	117	147	112	11	27	20	48,5	65,5	68	78	65	30700	19000	15000		80257

STAINLESS STEEL BEARING AISI 440																		
D (mm)	SERIE	Support CODES	DIMENSIONS (mm)										Bearing load (N)		Bearing support load	COVER CODES		
			E	A	B	S	G	I	Z	U	T	DF Max	DF Min	C	C0	(N)	Closed type	Open type
30	UCFL 206 CXA	84011	117	147	112	11	27	21	42	65,5	68	60	50	12500	11200	13000		80494
35	UCFL 207 CXA	84012	117	147	112	11	27	20	45,3	65,5	68	70	55	16600	15300	14000	80256	80495
40	UCFL 208 CXA	84013	117	147	112	11	27	20	48,5	65,5	68	78	65	20000	19000	15000		80257

VERSIONS WITH MEASURES IN INCHES

CHROME STEEL BEARING																			
D (inches)	D (mm)	SERIE	Support CODES	DIMENSIONS (mm)										Bearing load (N)		Bearing support load	COVER CODES		
				E	A	B	S	G	I	Z	U	T	DF Max	DF Min	C	C0	(N)	Closed type	Open type
1 1/4	31,75	UCFL 206 CXA	84522	117	147	112	11	27	21	42	65,5	68	60	50	19500	11300	13000	80256	85204

MATERIALS: Support made out of PP + glass fiber; external cover of support made out of AISI 304 stainless steel; chrome steel or stainless steel bearing; greaser made out of nickel plated brass; reinforcement bushings made out of AISI 304 stainless steel; gaskets made out of NBR rubber; protection cover made out of polypropylene grey colour RAL 7042.

FEATURES: The only difference from UCFL/CA series is lack of protection cover, wich can be ordered separately as an accessory. Support body made out of polypropylene covered by an AISI 304 stainless steel later, to obtain the maximum chemical resistance to antibacterial detergents used in food processing field. More over this part is moulded without internal cavities in order to obtain the best sanification. Assembly with not shouldered shaft. Maximum shaft alignment error 2.5°.

BOX QUANTITY: 8 pieces.

ON REQUEST: Protection covers in different colors and with customized brand; internal body in reinforced polypropylene white color; box quantity according to your request; Viton gaskets, "Long life" bearings.

S Self-aligning bearings with Solid body: completely closed surface to guarantee the max hygiene.

Side flanged bearing supports

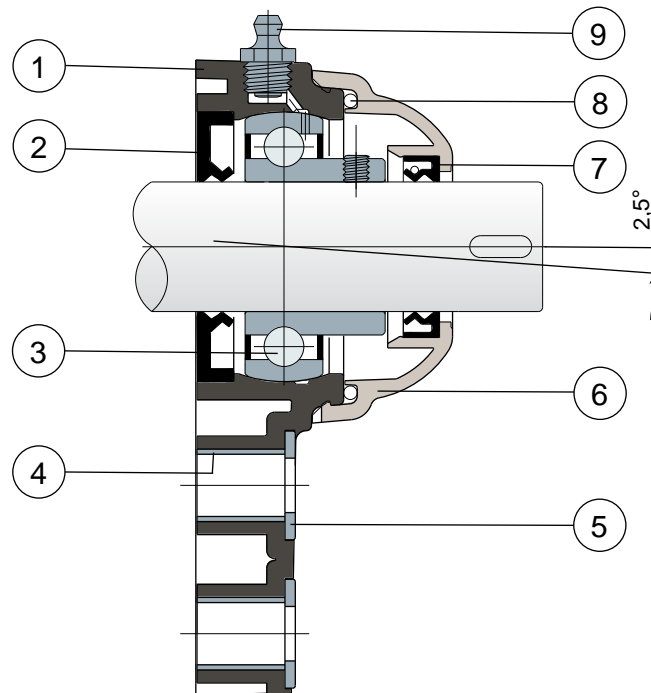
Serie **UCFB/C**



NEW

New product line with support body in PA white colour.

Full protection of bearing



- 1) Support body made out of black or white polyamide reinforced with glass fibers.
- 2) Back gasket made out of NBR rubber for turning shaft seal.
- 3) Chrome steel or stainless steel bearing AISI 440.
- 4) Spacer for fixing reinforcement made out of stainless steel AISI 304.
- 5) UNI 6592 support washer made out of stainless steel AISI 304.
- 6) Protection cover made out of polypropylene (grey colour Ral 7042).
- 7) Front gasket made out of NBR rubber for turning shaft seal.
- 8) OR gasket made out of NBR rubber
- 9) Greaser for relubrication made out of nickel-plated brass.

Maximum shaft alignment error 2,5°

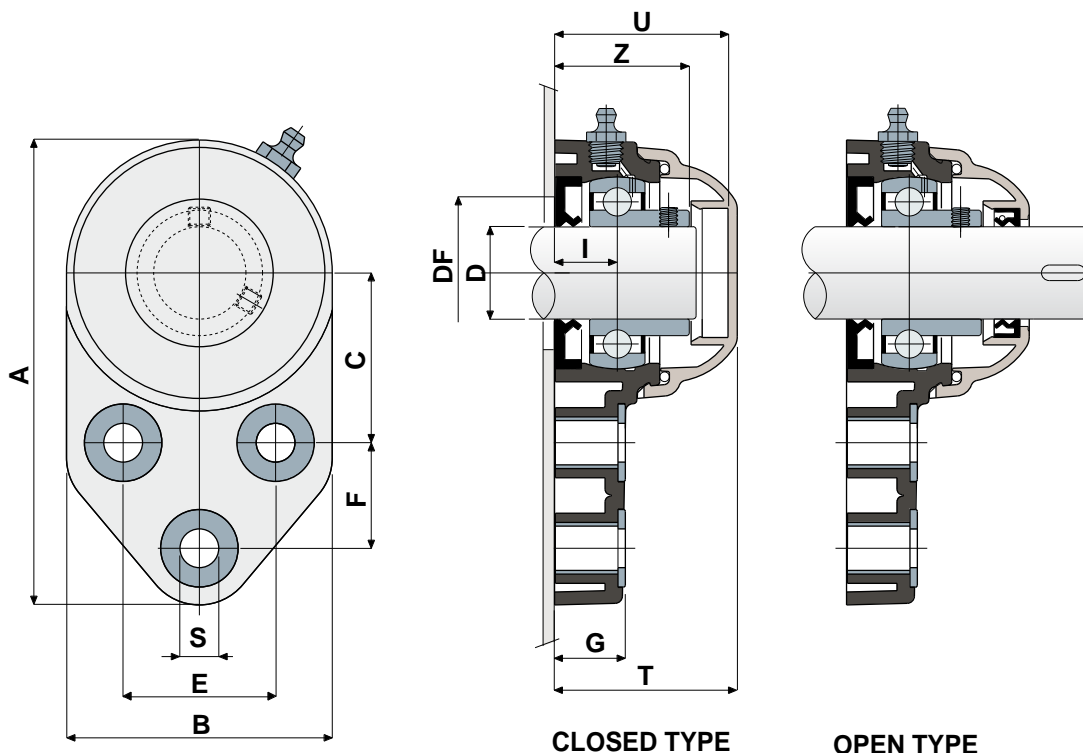
For further information please contact our technical office or sales department.



Side flanged bearing supports

Technical data

Serie **UCFB/C**



CHROME STEEL BEARING																					
D	SERIE	CODES				DIMENSIONS (mm)												Bearing load (N)		Bearing support load (N)	
		Black colour		White colour		E	A	B	C	F	S	G	I	Z	U	T	DF		C		C0
		Closed type	Open type	Closed type	Open type												Max	Min			
20	UCFB 204 C	82862	82861	84718	84719	41,3	126	72	46	28,6	10,5	19	18	36	47	49,5	45	40	12800	6600	8500
25	UCFB 205 C	82771	82770	84720	84721	41,3	126	72	46	28,6	10,5	19	17	36,5	47	49,5	50	45	14000	7800	9000
30	UCFB 206 C	84048	84049	84722	84723	47,6	142	85	52,4	32	10,5	26,3	20,7	41,7	53,2	55,7	60	50	19500	11300	11000
35	UCFB 207 C	84050	84051	84724	84725	51	155	94	60,5	32	10,5	26,3	20	45,3	56,5	59	70	55	25500	15300	13000
40	UCFB 208 C	83031	83033	84726	84727	50	165	100	60,5	41	10,5	26,3	19,5	48,5	65,5	68	78	65	32500	19800	18000

STAINLESS STEEL BEARING AISI 440																					
D	SERIE	CODES				DIMENSIONS (mm)												Bearing load (N)		Bearing support load (N)	
		Black colour		White colour		E	A	B	C	F	S	G	I	Z	U	T	DF		C		C0
		Closed type	Open type	Closed type	Open type												Max	Min			
20	UCFB 204 C	82866	82865	84728	84729	41,3	126	72	46	28,6	10,5	19	18	36	47	49,5	45	40	8300	6550	8500
25	UCFB 205 C	82775	82774	84730	84731	41,3	126	72	46	28,6	10,5	19	17	36,5	47	49,5	50	45	9150	7800	9000
30	UCFB 206 C	84052	84053	84732	84733	47,6	142	85	52,4	32	10,5	26,3	20,7	41,7	53,2	55,7	60	50	12500	11200	11000
35	UCFB 207 C	84054	84055	84734	84735	51	155	94	60,5	32	10,5	26,3	20	45,3	56,5	59	70	55	16600	15300	13000
40	UCFB 208 C	83040	83027	84736	84737	50	165	100	60,5	41	10,5	26,3	19,5	48,5	65,5	68	78	65	20000	19000	18000

VERSIONS WITH MEASURES IN INCHES

CHROME STEEL BEARING																						
D	SERIE	CODES				DIMENSIONS (mm)												Bearing load (N)		Bearing support load (N)		
		Black colour		White colour		E	A	B	C	F	S	G	I	Z	U	T	DF		C		C0	
(inches)	(mm)	Closed type	Open type	Closed type	Open type												Max	Min				
1"	25,4	UCFB 205 C	84523	84524	84907	84908	41,3	126	72	46	28,6	10,5	19	17	36,5	47	49,5	50	45	14000	7800	9000
1 1/4"	31,75	UCFB 206 C	84525	84526	84909	84910	47,6	142	85	52,4	32	10,5	26,3	20,7	41,7	53,2	55,7	60	50	19500	11300	11000

MATERIALS: Support made out of black or white colour PA + glass; chrome steel or stainless steel bearing, greaser made out of nickel plated brass; reinforcement bushings and washers made out of stainless steel AISI 304; gaskets made out of NBR rubber; cover made out of polypropylene, grey colour RAL 7042.

FEATURES: Full protection of bearing against external agents. Assembly with not shouldered shafts. Maximum shaft alignment error 2.5°.

BOX QUANTITY: 8 pieces.

ON REQUEST: Versions with body in polypropylene + glass fiber and antibacterial additive; protection cover in different colors and with customized brand; box quantity according to your request; Viton gaskets, "Long life" bearings.



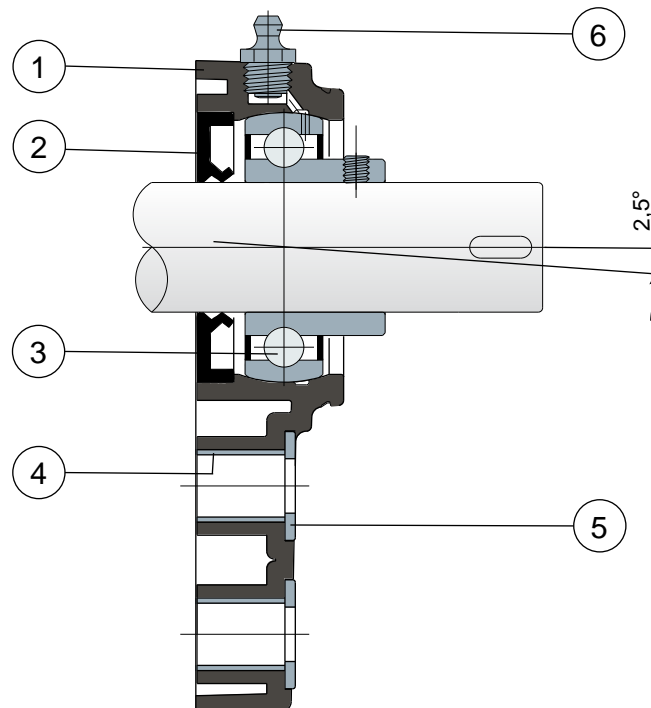
Side flanged bearing supports

Serie **UCFB/CX**



NEW
New product line with support body in PA white colour.

Without protection cover



- 1) Support body made out of black or white polyamide reinforced with glass fibers.
- 2) Back gasket made out of NBR rubber for turning shaft seal.
- 3) Chrome steel or stainless steel bearing AISI 440.
- 4) Spacer for fixing reinforcement made out of stainless steel AISI 304.
- 5) UNI 6592 support washer made out of stainless steel AISI 304.
- 6) Greaser for relubrication made out of nickel-plated brass.

NOTE: The only difference from UCFB/C series is lack of protection cover, which can be ordered separately as an accessory.

Maximum shaft alignment error 2,5°

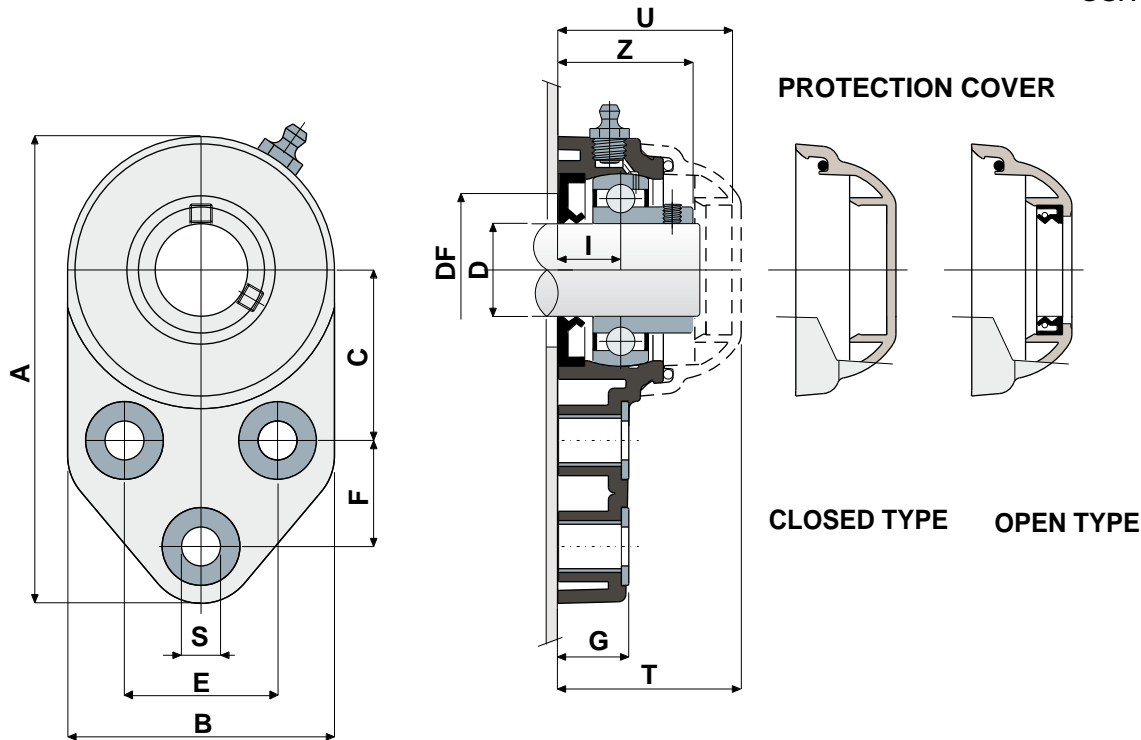
For further information please contact our technical office or sales department.



Side flanged bearing supports

Technical data

Serie **UCFB/CX**



CHROME STEEL BEARING																						
D	SERIE	Support CODES		DIMENSIONS (mm)												DF		Bearing load (N)		Bearing support load	COVER CODES	
		Black colour	White colour	E	A	B	C	F	S	G	I	Z	U	T	Max	Min	C	C0	(N)	Closed type	Open type	
20	UCFB 204 CX	83023	84738	41,3	126	72	46	28,6	10,5	19	18	36	47	49,5	45	40	12800	6600	8500	80254	80255	
25	UCFB 205 CX	82772	84739	41,3	126	72	46	28,6	10,5	19	17	36,5	47	49,5	50	45	14000	7800	9000	80075	80076	
30	UCFB 206 CX	84056	84740	47,6	142	85	52,4	32	10,5	26,3	20,7	41,7	53,2	55,7	60	50	19500	11300	11000	80011	80053	
35	UCFB 207 CX	84057	84741	51	155	94	60,5	32	10,5	26,3	20	45,3	56,5	59	70	55	25500	15300	13000	80077	80078	
40	UCFB 208 CX	82478	84742	50	165	100	60,5	41	10,5	26,3	19,5	48,5	65,5	68	78	65	32500	19800	18000	80256	80257	

STAINLESS STEEL BEARING AISI 440																						
D	SERIE	Support CODES		DIMENSIONS (mm)												DF		Bearing load (N)		Bearing support load	COVER CODES	
		Black colour	White colour	E	A	B	C	F	S	G	I	Z	U	T	Max	Min	C	C0	(N)	Closed type	Open type	
20	UCFB 204 CX	83039	84743	41,3	126	72	46	28,6	10,5	19	18	36	47	49,5	45	40	8300	6550	8500	80254	80255	
25	UCFB 205 CX	82776	84744	41,3	126	72	46	28,6	10,5	19	17	36,5	47	49,5	50	45	9150	7800	9000	80075	80076	
30	UCFB 206 CX	84058	84745	47,6	142	85	52,4	32	10,5	26,3	20,7	41,7	53,2	55,7	60	50	12500	11200	11000	80011	80053	
35	UCFB 207 CX	84059	84746	51	155	94	60,5	32	10,5	26,3	20	45,3	56,5	59	70	55	16600	15300	13000	80077	80078	
40	UCFB 208 CX	83041	84747	50	165	100	60,5	41	10,5	26,3	19,5	48,5	65,5	68	78	65	20000	19000	18000	80256	80257	

VERSIONS WITH MEASURES IN INCHES

CHROME STEEL BEARING																						
D (inches) (mm)	SERIE	Support CODES		DIMENSIONS (mm)												DF		Bearing load (N)		Bearing support load	COVER CODES	
		Black colour	White colour	E	A	B	C	F	S	G	I	Z	U	T	Max	Min	C	C0	(N)	Closed type	Open type	
1" 25,4	UCFB 205 CX	84527	84915	41,3	126	72	46	28,6	10,5	19	17	36,5	47	49,5	50	45	14000	7800	9000	80075	85202	
1" 1/4 31,75	UCFB 206 CX	84528	84916	47,6	142	85	52,4	32	10,5	26,3	20,7	41,7	53,2	55,7	60	50	19500	11300	11000	80011	85203	

MATERIALS: Support made out of black or white PA + glass fiber; chrome steel or stainless steel bearing; greaser made out of nickel plated brass; reinforcement bushings and washers made out of stainless steel AISI 304; gaskets made out of NBR rubber; cover made out of polypropylene, grey colour RAL 7042.

FEATURES: The difference from UCFB/C series is lack of protection cover which can be ordered separately as an accessory. Assembly with not shouldered shafts. Maximum shaft alignment error 2.5°.

BOX QUANTITY: 8 pieces.

ON REQUEST: Versions with body in polypropylene + glass fiber and antibacterial additive; protection cover in different colors and with customized brand; box quantity according to your request; Viton gaskets, "Long life" bearings.

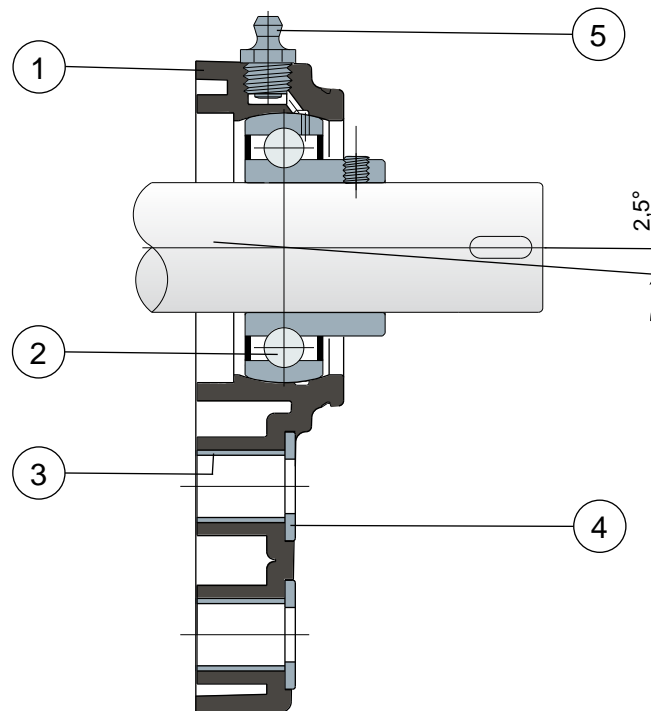
Side flanged bearing supports

Serie **UCFB**



NEW
New product line with support body in PA white colour.

Without cover and back gasket



- 1) Support body made out of black or white polyamide reinforced with glass fibers.
- 2) Chrome steel or stainless steel bearing AISI 440.
- 3) Spacer for fixing reinforcement made out of stainless steel AISI 304.
- 4) UNI 6592 support washer made out of stainless steel AISI 304.
- 5) Greaser for relubrication made out of nickel-plated brass.

NOTE: The only difference from UCFB/C series is lack of back gasket and protection cover, which can be ordered separately as accessories.

Support dimensions respect ISO 3228 set of rules.

Maximum shaft alignment error 2,5°

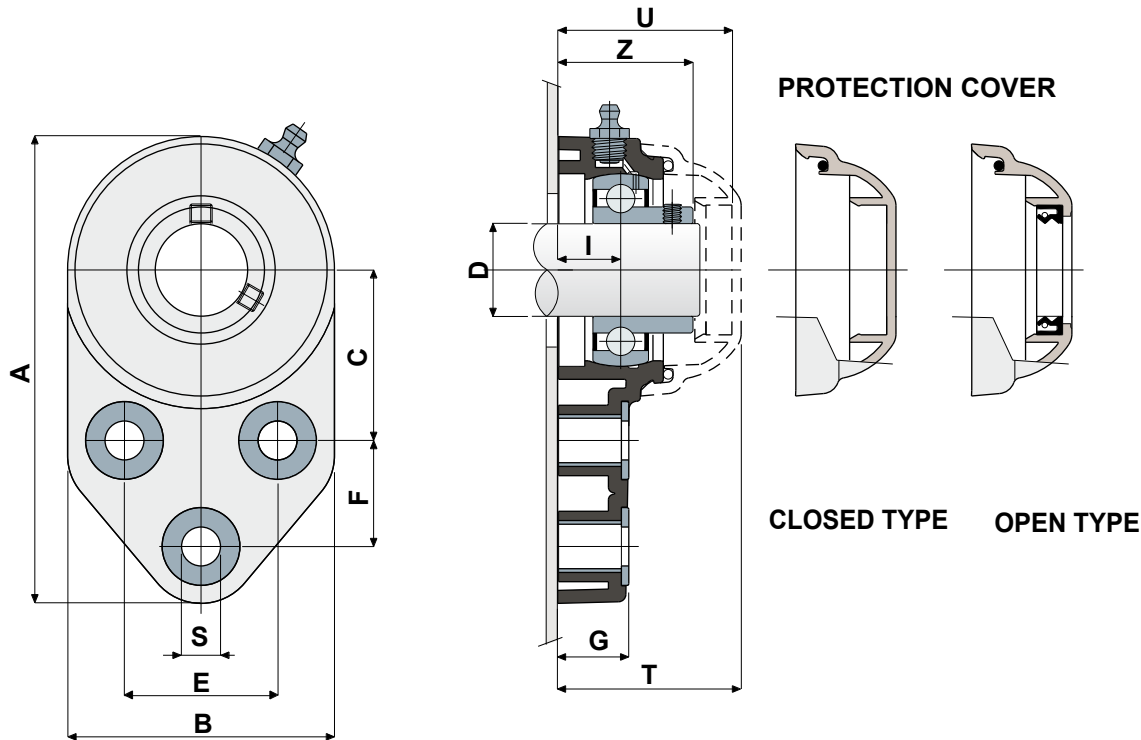
For further information please contact our technical office or sales department.



Side flanged bearing supports

Technical data

Serie **UCFB**



CHROME STEEL BEARING																					
D	SERIE	Support CODES		DIMENSIONS (mm)											DF		Bearing load (N)		Bearing support load	COVER CODES	
		Black colour	White colour	E	A	B	C	F	S	G	I	Z	U	T	Max	Min	C	C0	(N)	Closed type	Open type
20	UCFB 204	83025	84748	41,3	126	72	46	28,6	10,5	19	18	36	47	49,5	12800	6600	8500	6600	8500	80254	80255
25	UCFB 205	82773	84749	41,3	126	72	46	28,6	10,5	19	17	36,5	47	49,5	14000	7800	9000	7800	9000	80075	80076
30	UCFB 206	84060	84750	47,6	142	85	52,4	32	10,5	26,3	20,7	41,7	53,2	55,7	19500	11300	11000	11300	11000	80011	80053
35	UCFB 207	84061	84751	51	155	94	60,5	32	10,5	26,3	20	45,3	56,5	59	25500	15300	13000	15300	13000	80077	80078
40	UCFB 208	83029	84752	50	165	100	60,5	41	10,5	26,3	19,5	48,5	65,5	68	32500	19800	18000	19800	18000	80256	80257

STAINLESS STEEL BEARING AISI 440																					
D	SERIE	Support CODES		DIMENSIONS (mm)											DF		Bearing load (N)		Bearing support load	COVER CODES	
		Black colour	White colour	E	A	B	C	F	S	G	I	Z	U	T	Max	Min	C	C0	(N)	Closed type	Open type
20	UCFB 204	83042	84753	41,3	126	72	46	28,6	10,5	19	18	36	47	49,5	8300	6550	8500	6600	8500	80254	80255
25	UCFB 205	82777	84754	41,3	126	72	46	28,6	10,5	19	17	36,5	47	49,5	9150	7800	9000	7800	9000	80075	80076
30	UCFB 206	84062	84755	47,6	142	85	52,4	32	10,5	26,3	20,7	41,7	53,2	55,7	12500	11200	11000	11300	11000	80011	80053
35	UCFB 207	84063	84756	51	155	94	60,5	32	10,5	26,3	20	45,3	56,5	59	16600	15300	13000	15300	13000	80077	80078
40	UCFB 208	83044	84757	50	165	100	60,5	41	10,5	26,3	19,5	48,5	65,5	68	20000	19000	18000	19800	18000	80256	80257

VERSIONS WITH MEASURES IN INCHES

CHROME STEEL BEARING																					
D (inches)	SERIE	Support CODES		DIMENSIONS (mm)											DF		Bearing load (N)		Bearing support load	COVER CODES	
		Black colour	White colour	E	A	B	C	F	S	G	I	Z	U	T	Max	Min	C	C0	(N)	Closed type	Open type
1"	UCFB 205	84529	84919	41,3	126	72	46	28,6	10,5	19	17	36,5	47	49,5	14000	7800	9000	7800	9000	80075	85202
1 1/4"	UCFB 206	84530	84920	47,6	142	85	52,4	32	10,5	26,3	20,7	41,7	53,2	55,7	19500	11300	11000	11300	11000	80011	85203

MATERIALS: Support made out of black or white colour PA + glass fiber; chrome steel or stainless steel bearing; greaser made out of nickel plated brass; reinforcement bushings and washers made out of stainless steel AISI 304; gaskets made out of NBR rubber; cover made out of polypropylene, grey colour RAL 7042.

FEATURES: The difference from UCFB/C series is lack of back gasket and protection cover, which can be ordered separately as accessories. Assembly with shouldered and not shouldered shafts. Maximum shaft alignment error 2.5°.

BOX QUANTITY: 8 pieces.

ON REQUEST: Versions with body in polypropylene + glass fiber and antibacterial additive; protection cover in different colors and with customized brand; box quantity according to your request; Viton gaskets, "Long life" bearings.



Pillow Blocks

Serie **UCP/C**

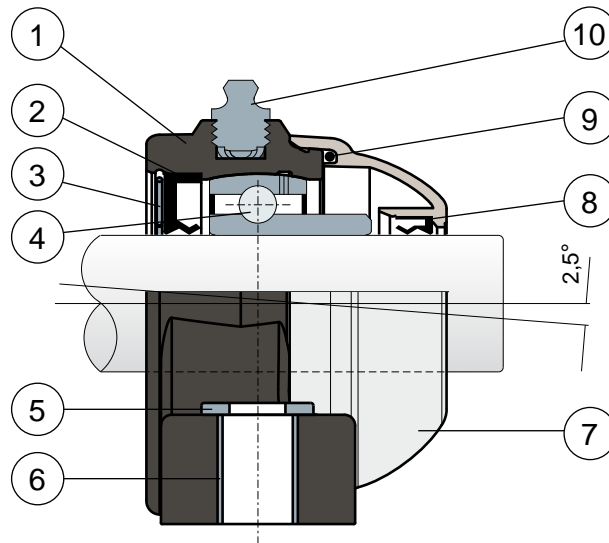


NEW

New product line with support body in PA white colour.



Full protection of bearing



- 1) Support body made out of black or white polyamide reinforced with glass fibers.
- 2) Back gasket made out of NBR rubber for turning shaft seal.
- 3) Safety ring in stainless steel AISI 304.
- 4) Chrome steel or stainless steel bearing AISI 440.
- 5) UNI 6592 support washer made out of stainless steel AISI 304.
- 6) Spacer for fixing reinforcement made out of stainless steel AISI 304.
- 7) Protection cover made out of polypropylene (grey colour Ral 7042).
- 8) Front gasket made out of NBR rubber for turning shaft seal.
- 9) OR gasket made out of NBR rubber.
- 10) Greaser for relubrication made out of nickel-plated brass.

Support dimensions respect ISO 3228 set of rules.

Maximum shaft alignment error 2,5°.

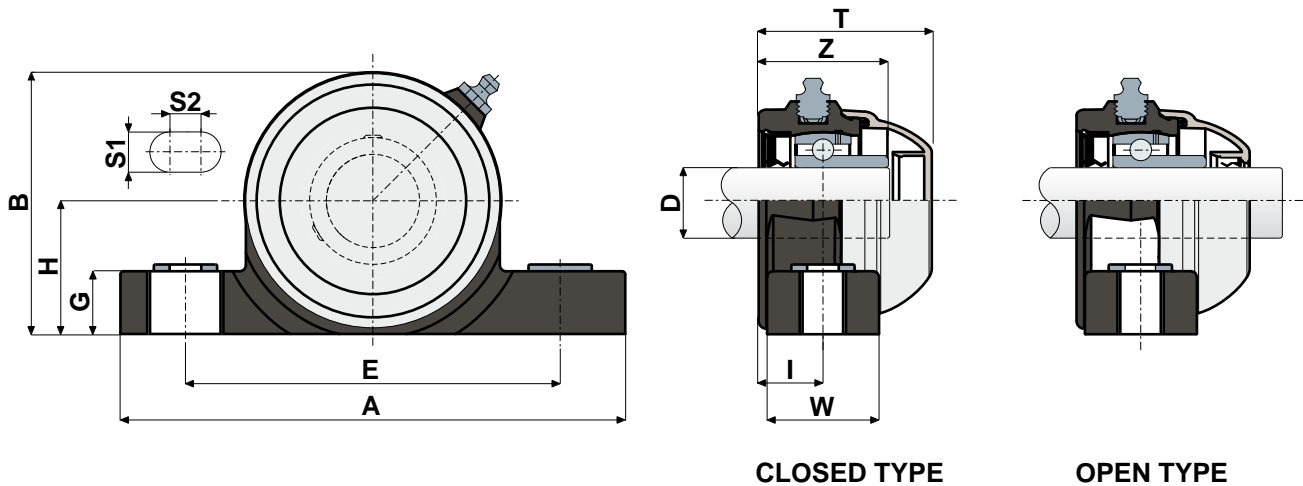
For further information please contact our technical office or sales department.



Pillow Blocks

Technical data

Serie **UCP/C**



CHROME STEEL BEARING																			
D	SERIE	CODES				DIMENSIONS (mm)											Bearing load (N)		Bearing support load (N)
		Black colour		White colour		E	A	S1	S2	G	H	B	I	W	Z	T	C	C0	
		Closed type	Open type	Closed type	Open type														
20	UCP 204 C	84076	84077	84758	84759	96	130	13	10	20	33,5	65,5	18	30	36	49	12800	6600	5750
25	UCP 205 C	83682	83683	84760	84761	106	140	13	10	20	36,5	71,5	19,6	35	39	51,7	14000	7800	6900
30	UCP 206 C	83684	83685	84762	84763	121	163	13	10	20	43	84,5	20,7	36	41,7	55,7	19500	11300	9200
35	UCP 207 C	83686	83687	84764	84765	126	168	13	10	20	47,6	93,3	22,7	39	48	61,8	25500	15300	11500

STAINLESS STEEL BEARING AISI 440																			
D	SERIE	CODES				DIMENSIONS (mm)											Bearing load (N)		Bearing support load (N)
		Black colour		White colour		E	A	S1	S2	G	H	B	I	W	Z	T	C	C0	
		Closed type	Open type	Closed type	Open type														
20	UCP 204 C	84078	84079	84766	84767	96	130	13	10	20	33,5	65,5	18	30	36	49	8300	6550	5750
25	UCP 205 C	83696	83697	84768	84769	106	140	13	10	20	36,5	71,5	19,6	35	39	51,7	9150	7800	6900
30	UCP 206 C	83698	83699	84770	84771	121	163	13	10	20	43	84,5	20,7	36	41,7	55,7	12500	11200	9200
35	UCP 207 C	83700	83701	84772	84773	126	168	13	10	20	47,6	93,3	22,7	39	48	61,8	16600	15300	11500

VERSIONS WITH MEASURES IN INCHES

CHROME STEEL BEARING																			
D (inches) (mm)	SERIE	CODES				DIMENSIONS (mm)											Bearing load (N)		Bearing support load (N)
		Black colour		White colour		E	A	S1	S2	G	H	B	I	W	Z	T	C	C0	
		Closed type	Open type	Closed type	Open type														
1" 25,4	UCP 205 C	84531	84532	84923	84924	106	140	13	10	20	36,5	71,5	19,6	35	39	51,7	14000	7800	6900
1" 1/4 31,75	UCP 206 C	84533	84534	84925	84926	121	163	13	10	20	43	84,5	20,7	36	41,7	55,7	19500	11300	9200

MATERIALS: Support made out of black or white colour PA+glass fiber; chrome steel or stainless steel bearing; greaser made out of nickel plated brass; reinforcement bushings, washers and safety ring made out of stainless steel AISI 304; gaskets made out of NBR rubber; cover made out of polypropylene, grey colour RAL 7042.

FEATURES: Full protection of bearing against external agents. Assembly with shouldered and not shouldered shafts. Maximum shaft alignment error 2,5°.

BOX QUANTITY: 8 pieces.

ON REQUEST: Versions with body in polypropylene + glass fiber and antibacterial additive; protection cover in different colors and with customized brand; box quantity according to your request; Viton gaskets, "Long life" bearings.



Pillow Blocks

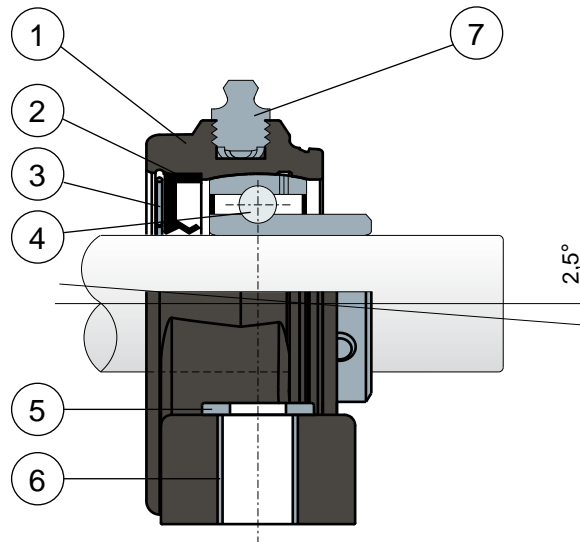
Serie **UCP/CX**



NEW

New product line with support body in PA white colour.

Without protection cover



- 1) Support body made out of black or white polyamide reinforced with glass fibers.
- 2) Back gasket made out of NBR rubber for turning shaft seal.
- 3) Safety ring in stainless steel AISI 304.
- 4) Chrome steel or stainless steel bearing AISI 440.
- 5) UNI 6592 support washer made out of stainless steel AISI 304.
- 6) Spacer for fixing reinforcement made out of stainless steel AISI 304.
- 7) Greaser for relubrication made out of nickel-plated brass.

Support dimensions respect ISO 3228 set of rules.

Maximum shaft alignment error 2,5°.

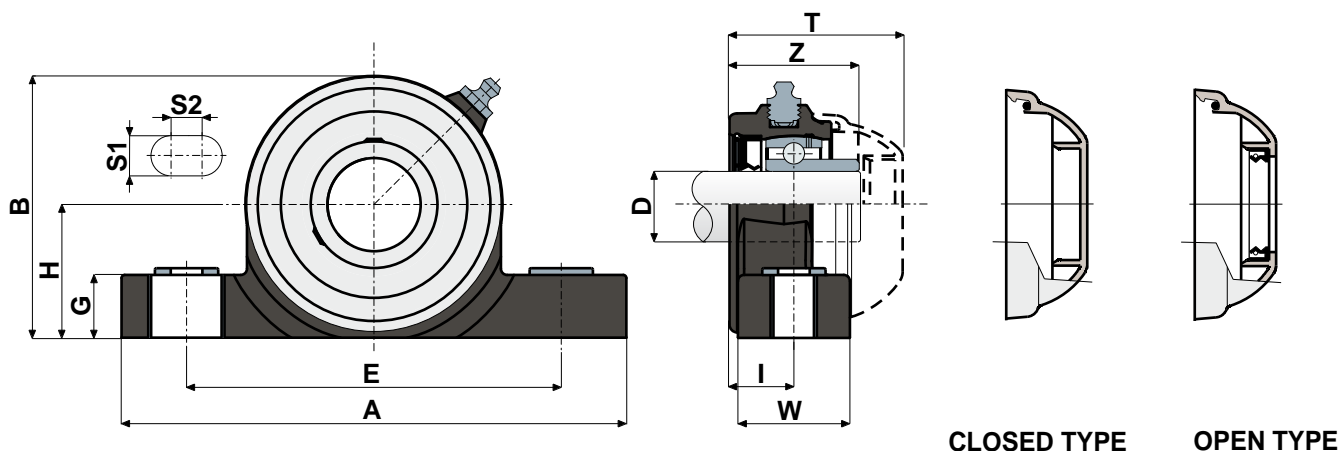
For further information please contact our technical office or sales department.



Pillow Blocks

Technical data

Serie **UCP/CX**



CLOSED TYPE

OPEN TYPE

CHROME STEEL BEARING																			
D	SERIE	Support CODES		DIMENSIONS (mm)										Bearing load (N)		Bearing support load	COVER CODES		
		Black colour	White colour	E	A	S1	S2	G	H	B	I	W	Z	T	C	C0	(N)	Closed type	Open type
20	UCP 204 CX	84080	84774	96	130	13	10	20	33,5	65,5	18	30	36	49	12800	6600	5750	80254	80255
25	UCP 205 CX	83688	84775	106	140	13	10	20	36,5	71,5	19,6	35	39	51,7	14000	7800	6900	80075	80076
30	UCP 206 CX	83689	84776	121	163	13	10	20	43	84,5	20,7	36	41,7	55,7	19500	11300	9200	80011	80053
35	UCP 207 CX	83690	84777	126	168	13	10	20	47,6	93,3	22,7	39	48	61,8	25500	15300	11500	80077	80078

STAINLESS STEEL BEARING AISI 440																			
D	SERIE	Support CODES		DIMENSIONS (mm)										Bearing load (N)		Bearing support load	COVER CODES		
		Black colour	White colour	E	A	S1	S2	G	H	B	I	W	Z	T	C	C0	(N)	Closed type	Open type
20	UCP 204 CX	84081	84778	96	130	13	10	20	33,5	65,5	18	30	36	49	8300	6550	5750	80254	80255
25	UCP 205 CX	83702	84779	106	140	13	10	20	36,5	71,5	19,6	35	39	51,7	9150	7800	6900	80075	80076
30	UCP 206 CX	83703	84780	121	163	13	10	20	43	84,5	20,7	36	41,7	55,7	12500	11200	9200	80011	80053
35	UCP 207 CX	83704	84781	126	168	13	10	20	47,6	93,3	22,7	39	48	61,8	16600	15300	11500	80077	80078

VERSIONS WITH MEASURES IN INCHES

CHROME STEEL BEARING																				
D (inches)	(mm)	SERIE	Support CODES		DIMENSIONS (mm)										Bearing load (N)		Bearing support load	COVER CODES		
			Black colour	White colour	E	A	S1	S2	G	H	B	I	W	Z	T	C	C0	(N)	Closed type	Open type
1"	25,4	UCP 205 CX	84535	84931	106	140	13	10	20	36,5	71,5	19,6	35	39	51,7	14000	7800	6900	80075	85202
1 1/4"	31,75	UCP 206 CX	84536	84932	121	163	13	10	20	43	84,5	20,7	36	41,7	55,7	19500	11300	9200	80011	85203

MATERIALS: Support made out of black or white colour PA+glass fiber; chrome steel or stainless steel bearing; greaser made out of nickel plated brass; reinforcement bushings, washers and safety ring made out of stainless steel AISI 304; gaskets made out of NBR rubber; cover made out of polypropylene, grey colour RAL 7042.

FEATURES: The difference from UCP/C series is lack of protection cover which can be ordered separately as an accessory. Assembly with shouldered and not shouldered shafts. Maximum shaft alignment error 2,5°.

BOX QUANTITY: 8 pieces.

ON REQUEST: Versions with body in polypropylene + glass fiber and antibacterial additive; protection cover in different colors and with customized brand; box quantity according to your request; Viton gaskets, "Long life" bearings.



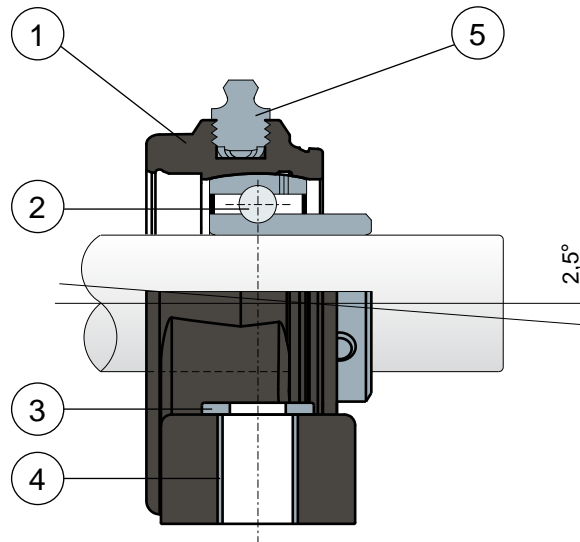
Pillow Blocks

Serie **UCP**



NEW
New product line with support body in PA white colour.

Without cover and back gasket



- 1) Support body made out of black or white polyamide reinforced with glass fibers.
- 2) Chrome steel or stainless steel bearing AISI 440.
- 3) UNI 6592 support washer made out of stainless steel AISI 304.
- 4) Spacer for fixing reinforcement made out of stainless steel AISI 304.
- 5) Greaser for relubrication made out of nickel-plated brass.

Support dimensions respect ISO 3228 set of rules.

Maximum shaft alignment error 2,5°.

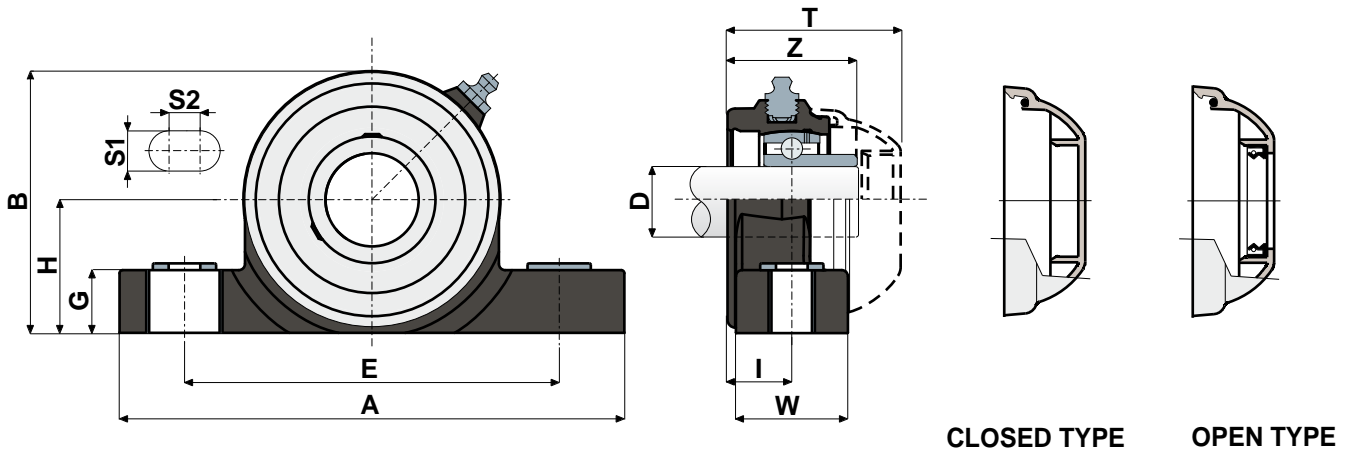
For further information please contact our technical office or sales department.



Pillow Blocks

Technical data

Serie **UCP**



CLOSED TYPE

OPEN TYPE

CHROME STEEL BEARING																			
D	SERIE	Support CODES		DIMENSIONS (mm)										Bearing load (N)		Bearing support load	COVER CODES		
		Black colour	White colour	E	A	S1	S2	G	H	B	I	W	Z	T	C	C0	(N)	Closed type	Open type
20	UCP 204	84082	84782	96	130	13	10	20	33,5	65,5	18	30	36	49	12800	6600	5750	80254	80255
25	UCP 205	83691	84783	106	140	13	10	20	36,5	71,5	19,6	35	39	51,7	14000	7800	6900	80075	80076
30	UCP 206	83692	84784	121	163	13	10	20	43	84,5	20,7	36	41,7	55,7	19500	11300	9200	80011	80053
35	UCP 207	83693	84785	126	168	13	10	20	47,6	93,3	22,7	39	48	61,8	25500	15300	11500	80077	80078

STAINLESS STEEL BEARING AISI 440																			
D	SERIE	Support CODES		DIMENSIONS (mm)										Bearing load (N)		Bearing support load	COVER CODES		
		Black colour	White colour	E	A	S1	S2	G	H	B	I	W	Z	T	C	C0	(N)	Closed type	Open type
20	UCP 204	84083	84786	96	130	13	10	20	33,5	65,5	18	30	36	49	8300	6550	5750	80254	80255
25	UCP 205	83705	84787	106	140	13	10	20	36,5	71,5	19,6	35	39	51,7	9150	7800	6900	80075	80076
30	UCP 206	83706	84788	121	163	13	10	20	43	84,5	20,7	36	41,7	55,7	12500	11200	9200	80011	80053
35	UCP 207	83707	84789	126	168	13	10	20	47,6	93,3	22,7	39	48	61,8	16600	15300	11500	80077	80078

VERSIONS WITH MEASURES IN INCHES

CHROME STEEL BEARING																				
D (inches)	D (mm)	SERIE	Support CODES		DIMENSIONS (mm)										Bearing load (N)		Bearing support load	COVER CODES		
			Black colour	White colour	E	A	S1	S2	G	H	B	I	W	Z	T	C	C0	(N)	Closed type	Open type
1"	25,4	UCP 205	84537	84936	106	140	13	10	20	36,5	71,5	19,6	35	39	51,7	14000	7800	6900	80075	85202
1 1/4"	31,75	UCP 206	84538	84937	121	163	13	10	20	43	84,5	20,7	36	41,7	55,7	19500	11300	9200	80011	85203

MATERIALS: Support made out of black or white colour PA+glass fiber; chrome steel or stainless steel bearing; greaser made out of nickel plated brass; reinforcement bushings and washers made out of stainless steel AISI 304; cover made out of polypropylene, grey colour RAL 7042.
FEATURES: The difference from UCP/C series is lack of back gasket and protection covers, which can be ordered separately as accessories. Assembly with shouldered and not shouldered shafts. Maximum shaft alignment error 2,5°.





BOX QUANTITY: 8 pieces.

ON REQUEST: Versions with body in polypropylene + glass fiber and antibacterial additive; protection cover in different colors and with customized brand; box quantity according to your request; Viton gaskets, "Long life" bearings.





Supporting and levelling components

Part.	Pag.	Part.	Pag.
1	171	93	187
2	172	94	192
3	171	95	193
4	172	96	190
10	176	97	194
15	177	98	191
18 pa	173	99	195
18	178	101	199
25 pa	174	103	205
25	180	104	188
27 pa	173	107	198
27	179	108	204
38 pa	174	109	202
38	181	110	208
45	182	111	201
64 mm	210	112	207
64 inches	212	113	197
68 mm	213	114	203
68 inches	215	115	196
79	184	116	216
81	189	117	216
82	209	118	175
87	185	119	206
89	186	120	200
92	183		

Fixed feet

<p>wrench 25</p>  <p>Part. 1 pag. 171</p>	<p>Ø 40</p>  <p>Part. 3 pag. 171</p>	<p>Ø 25</p>  <p>Part. 2 pag. 172</p>	<p>Ø 40</p>  <p>Part. 4 pag. 172</p>
--	---	--	---

PA articulated feet

<p>Ø 60</p>  <p>Part. 18 pa pag. 173</p>	<p>60x95</p>  <p>Part. 27 pa pag. 173</p>	<p>Ø 80</p>  <p>Part. 25 pa pag. 174</p>	<p>Ø 102</p>  <p>Part. 38 pa pag. 174</p>
---	--	--	--

Articulated feet

<p>New</p> <p>Ø 30</p>  <p>Part. 118 pag. 175</p>	<p>Ø 40</p>  <p>Part. 10 pag. 176</p>	<p>Ø 50</p>  <p>Part. 15 pag. 177</p>	<p>Ø 60</p>  <p>Part. 18 pag. 178</p>
<p>60x95</p>  <p>Part. 27 pag. 179</p>	<p>Ø 80</p>  <p>Part. 25 pag. 180</p>	<p>Ø 102</p>  <p>Part. 38 pag. 181</p>	<p>Ø 124</p>  <p>Part. 45 pag. 182</p>
<p>Ø 124</p>  <p>Part. 92 pag. 183</p>			







Adjustable feet

 Ø 50 Part. 79 pag. 184	 Ø 102 Part. 87 pag. 185	 Ø 124 Part. 89 pag. 186	 Ø 124 Part. 93 pag. 187
 Ø 80 Part. 81 pag. 189	 Ø 113 Part. 96 pag. 190	 Ø 113 Part. 98 pag. 191	 Ø 180 Part. 94 pag. 192
 Ø 80 Part. 95 pag. 193	 Ø 102 Part. 97 pag. 194	 Ø 124 Part. 99 pag. 195	

Spacers

 Part. 104 pag. 188








Articulated feet, sanitizable

 Ø 50 Part. 113 pag. 197	 Ø 75 Part. 107 pag. 198	 Ø 95 Part. 101 pag. 199	 65x96 Part. 120 pag. 200
 95x130 Part. 111 pag. 201	 Ø 120 Part. 109 pag. 202		

Adjustable feet, sanitizable

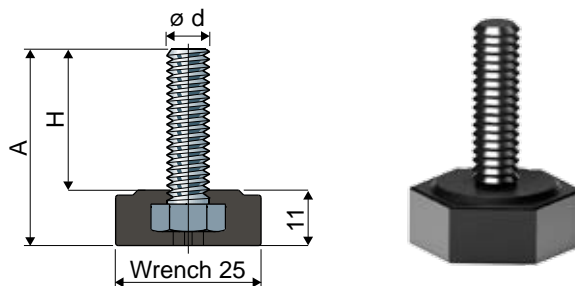
 <p>Ø 78</p> <p>Part. 115 pag. 196</p>	 <p>Ø 50</p> <p>Part. 114 pag. 203</p>	 <p>Ø 50</p> <p>Part. 114 pag. 203</p>	 <p>Ø 75</p> <p>Part. 108 pag. 204</p>
 <p>Ø 75</p> <p>Part. 108 pag. 204</p>	 <p>Ø 95</p> <p>Part. 103 pag. 205</p>	 <p>Ø 95</p> <p>Part. 103 pag. 205</p>	 <p>65x96</p> <p>Part. 119 pag. 206</p>
 <p>65x96</p> <p>Part. 119 pag. 206</p>	 <p>95x130</p> <p>Part. 112 pag. 207</p>	 <p>95x130</p> <p>Part. 112 pag. 207</p>	 <p>Ø 120</p> <p>Part. 110 pag. 208</p>
 <p>Ø 120</p> <p>Part. 110 pag. 208</p>			

Bushings

 <p>Part. 82 pag. 209</p>	<p>sizes in mm</p>  <p>Part. 64 pag. 210</p>	<p>sizes in inches</p>  <p>Part. 64 pag. 212</p>	<p>sizes in mm</p>  <p>Part. 68 pag. 213</p>
<p>sizes in inches</p>  <p>Part. 68 pag. 215</p>	 <p>Part. 116 pag. 216</p>	 <p>Part. 117 pag. 216</p>	

Fixed feet

(comoulded)

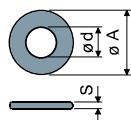
wrench **25** Part. **1**

Spindle measures in mm			Spindle in zinc plated steel	Max static load
$\varnothing d$	A	H	Code	(N)
M8	38	27	1 / 82880	6000

Base material: Reinforced polyamide black colour.

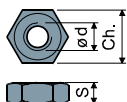
Box quantity: 24 pieces.

Washers UNI 6592-69 - Box quantity: 24 pieces.



$\varnothing M$	M8
Smm	1,6
$\varnothing A$ mm	17
Zinc plated steel codes	7636

Nuts UNI 5588-65 - Box quantity: 24 pieces.

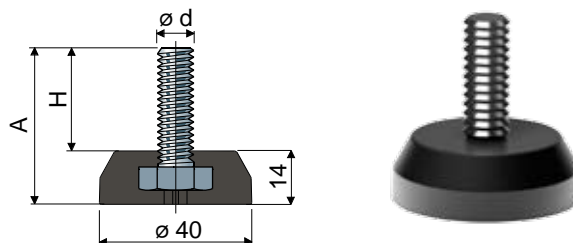


$\varnothing d$	M8
Smm	6,5
Ch. mm	13
Zinc plated steel codes	7634

On request

- Bases: In reinforced polypropylene • other colours.
- Rod: In stainless steel AISI 304.
- Box quantity: Not standard.

$\varnothing 40$ Part. **3**

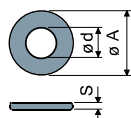


Spindle measures in mm			Spindle in zinc plated steel	Max static load
$\varnothing d$	A	H	Code	(N)
M10	40	26	3 / 82886	7000

Base material: Reinforced polyamide black colour.

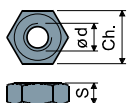
Box quantity: 24 pieces.

Washers UNI 6592-69 - Box quantity: 24 pieces.



$\varnothing M$	M10
Smm	2
$\varnothing A$ mm	21
Zinc plated steel codes	7283

Nuts UNI 5588-65 - Box quantity: 24 pieces.



$\varnothing d$	M10
Smm	8
Ch. mm	17
Zinc plated steel codes	7269

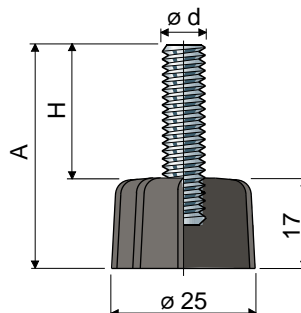
On request

- Bases: In reinforced polypropylene • other colours.
- Rod: In stainless steel AISI 304.
- Box quantity: Not standard.

Fixed feet

(base in reinforced polyamide)

Part. 2 $\varnothing 25$



Spindle measures in mm			Spindle material		Max static load (N)
$\varnothing d$	A	H	Zinc plated steel Code	Stainless steel AISI 304 Code	
M8	40	23	2 / 7702	2 / 7703	4000
	50	33	2 / 7706	2 / 7707	
M10	40	23	2 / 7712	2 / 7713	5000
	50	33	2 / 7716	2 / 7717	
M12	75	58	2 / 80156	2 / 80157	6000

Base material: Reinforced polyamide black colour.

Box quantity: 24 pieces.

Washers UNI 6592-69 - Box quantity: 24 pieces.

$\varnothing M$	M8	M10	M12
Smm	1,6	2	2,5
$\varnothing A$ mm	17	21	24
Zinc plated steel codes	7636	7283	7284
Stainless steel codes	7637	7286	7287

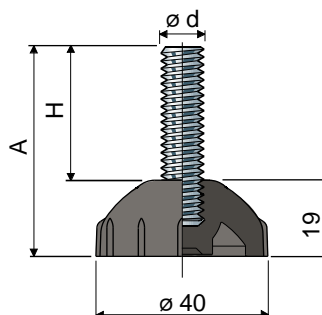
Nuts UNI 5588-65 - Box quantity: 24 pieces.

$\varnothing d$	M8	M10	M12
Smm	6,5	8	10
Ch. mm	13	17	19
Zinc plated steel codes	7634	7269	7270
Stainless steel codes	7635	7272	7273

On request

- Bases: In reinforced polypropylene • other colours.
- Box quantity: Not standard.
- Assembling of: Nuts • washers.

Part. 4 $\varnothing 40$



Spindle measures in mm			Spindle material		Max static load (N)
$\varnothing d$	A	H	Zinc plated steel Code	Stainless steel AISI 304 Code	
M8	40	21	4 / 7722	4 / 7723	4000
	50	31	4 / 7726	4 / 7727	
M10	40	21	4 / 7732	4 / 7733	5000
	50	31	4 / 7736	4 / 7737	
M12	75	56	4 / 80158	4 / 80159	6000

Base material: Reinforced polyamide black colour.

Box quantity: 24 pieces.

Accessories

Anti-slip pads:

- code: 7263;
- material: thermoplastic rubber 68 Shore black colour;
- box quantity: 24 pieces.

Washers UNI 6592-69 - Box quantity: 24 pieces.

$\varnothing M$	M8	M10	M12
Smm	1,6	2	2,5
$\varnothing A$ mm	17	21	24
Zinc plated steel codes	7636	7283	7284
Stainless steel codes	7637	7286	7287

Nuts UNI 5588-65 - Box quantity: 24 pieces.

$\varnothing d$	M8	M10	M12
Smm	6,5	8	10
Ch. mm	13	17	19
Zinc plated steel codes	7634	7269	7270
Stainless steel codes	7635	7272	7273

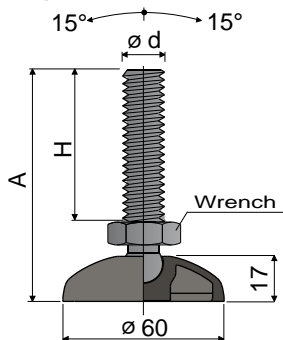
On request

- Bases: In reinforced polypropylene • other colours.
- Box quantity: Not standard.
- Assembling of: Anti-slip pads • nuts • washers.

PA articulated feet

(in reinforced polyamide)

Ø 60 Part. 18



Spindle measures in mm				Spindle and base in reinforced polyamide Code	Max static load (N)
ø d	A	H	Wrench		
M16	101	67	24	18 / 7627	7000
M20	174	140	24	18 / 80160	7500

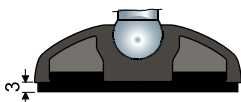
Material base and spindle: Reinforced polyamide black colour.

Box quantity: 24 pieces.

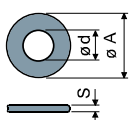
Accessories

Anti-slip pads:

- code: 7265;
- material: thermoplastic rubber 68 Shore black colour;
- box quantity: 24 pieces.

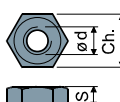


Washers UNI 6592-69 - Box quantity: 24 pieces.



ø M	M16	M20
Smm	3	3
ø A mm	30	37
Zinc plated steel codes	7289	7290
Stainless steel codes	7291	7292

Nuts UNI 5588-65 - Box quantity: 24 pieces.

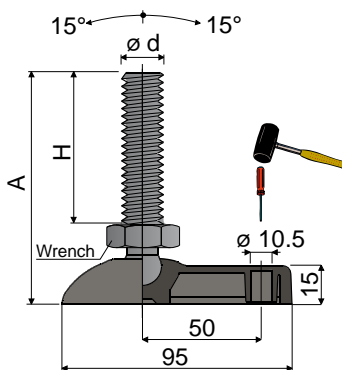


ø d	M16	M20
Smm	13	16
Ch. mm	24	30
Zinc plated steel codes	7275	7276
Stainless steel codes	7277	7278

On request

- Bases: In reinforced polypropylene • other colours.
- Box quantity: Not standard.
- Assembling of: Anti-slip pads • nuts • washers.

60X95 Part. 27



Spindle measures in mm				Spindle and base in reinforced polyamide Code	Max static load (N)
ø d	A	H	Wrench		
M16	101	67	24	27 / 7628	7000
M20	174	140	24	27 / 80161	7500

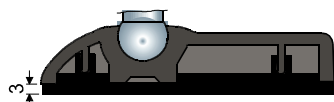
Material base and spindle: Reinforced polyamide black colour.

Box quantity: 24 pieces.

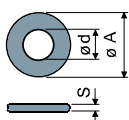
Accessories

Anti-slip pads:

- code: 7632;
- material: thermoplastic rubber 68 Shore black colour;
- box quantity: 24 pieces.

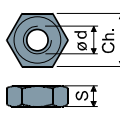


Washers UNI 6592-69 - Box quantity: 24 pieces.



ø M	M16	M20
Smm	3	3
ø A mm	30	37
Zinc plated steel codes	7289	7290
Stainless steel codes	7291	7292

Nuts UNI 5588-65 - Box quantity: 24 pieces.



ø d	M16	M20
Smm	13	16
Ch. mm	24	30
Zinc plated steel codes	7275	7276
Stainless steel codes	7277	7278

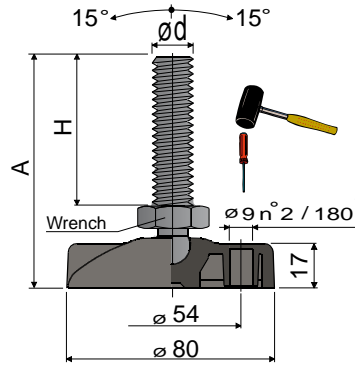
On request

- Bases: In reinforced polypropylene • other colours • with prebored fixing holes.
- Box quantity: Not standard.
- Assembling of: Anti-slip pads • nuts • washers.

PA articulated feet

(in reinforced polyamide)

Part. **25** \varnothing **80**



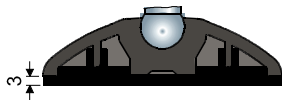
Spindle measures in mm			Wrench	Spindle and base in reinforced polyamide Code	Max static load (N)
$\varnothing d$	A	H			
M16	104	67	24	25 / 7629	7000
M20	177	140	24	25 / 80162	7500

Material base and spindle: Reinforced polyamide black colour.
Box quantity: 24 pieces.

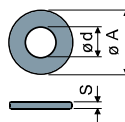
Accessories

Anti-slip pads:

- code: 7266;
- material: thermoplastic rubber 68 Shore black colour;
- box quantity: 24 pieces.

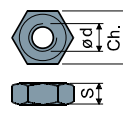


Washers UNI 6592-69 - Box quantity: 24 pieces.



$\varnothing M$	M16	M20
Smm	3	3
$\varnothing A$ mm	30	37
Zinc plated steel codes	7289	7290
Stainless steel codes	7291	7292

Nuts UNI 5588-65 - Box quantity: 24 pieces.

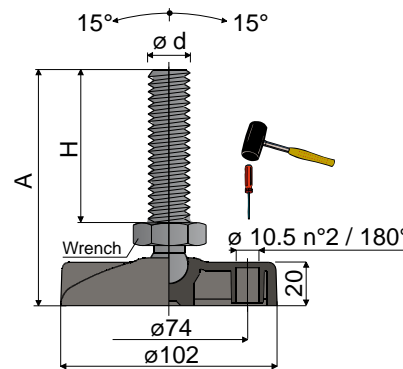


$\varnothing d$	M16	M20
Smm	13	16
Ch. mm	24	30
Zinc plated steel codes	7275	7276
Stainless steel codes	7277	7278

On request

- Bases: In reinforced polypropylene • other colours.
- Box quantity: Not standard.
- Assembling of: Anti-slip pads • nuts • washers.

Part. **38** \varnothing **102**



Spindle measures in mm			Wrench	Spindle and base in reinforced polyamide Code	Max static load (N)
$\varnothing d$	A	H			
M16	107	67	24	38 / 7630	7000
M20	180	140	24	38 / 80155	7500

Material base and spindle: Reinforced polyamide black colour.
Box quantity: 24 pieces.

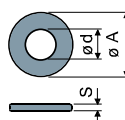
Accessories

Anti-slip pads:

- code: 7267;
- material: thermoplastic rubber 68 Shore black colour;
- box quantity: 24 pieces.

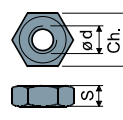


Washers UNI 6592-69 - Box quantity: 24 pieces.



$\varnothing M$	M16	M20
Smm	3	3
$\varnothing A$ mm	30	37
Zinc plated steel codes	7289	7290
Stainless steel codes	7291	7292

Nuts UNI 5588-65 - Box quantity: 24 pieces.



$\varnothing d$	M16	M20
Smm	13	16
Ch. mm	24	30
Zinc plated steel codes	7275	7276
Stainless steel codes	7277	7278

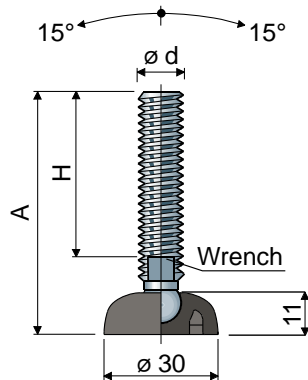
On request

- Bases: In reinforced polypropylene • other colours.
- Box quantity: Not standard.
- Assembling of: Anti-slip pads • nuts • washers.

Articulated feet

(base in reinforced polyamide)

Ø 30 Part. **118**



NEW

Spindle measures in mm				Spindle material			Max static load (N)
ød	A	H	Wrench	Zinc plated steel Code	Stainless steel AISI 304 Code	Stainless steel AISI 316 Code	
M8	65	45	6	118 / 84270	118 / 84271	-	9000
	85	65	6	118 / 84272	118 / 84273	-	
M10	57	35	8	118 / 84274	118 / 84275	-	10000
	92	70	8	118 / 84276	118 / 84277	-	
	137	115	8	118 / 84278	118 / 84279	-	
M12	67	43	10	118 / 84280	118 / 84281	-	11000
	87	63	10	118 / 84282	118 / 84283	-	
	102	77	10	118 / 84284	118 / 84285	-	
	117	93	10	118 / 84286	118 / 84287	118 / 85116	
	147	123	10	118 / 84288	118 / 84289	-	

Spindle measures in inches				Spindle material			Max static load (N)
ød	A	H	Wrench	Zinc plated steel Code	Stainless steel AISI 304 Code		
1/2"-13 UNC	5,08"	4"	7/16"	118 / 85170	118 / 85140		11000

Base material: Reinforced polyamide black colour.

Box quantity: 24 pieces.

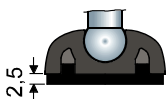
Accessories

Anti-slip pads:

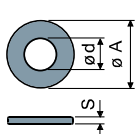
- code: 84290;

- material: thermoplastic rubber 68 Shore black colour;

- box quantity: 24 pieces.

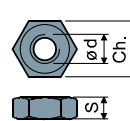


Washers UNI 6592-69 - Box quantity: 24 pieces.



ø M	M8	M10	M12
Smm	1,6	2	2,5
ø A mm	17	21	24
Zinc plated steel codes	7636	7283	7284
Stainless steel codes	7637	7286	7287

Nuts UNI 5588-65 - Box quantity: 24 pieces.



ø d	M8	M10	M12
Smm	6,5	8	10
Ch. mm	13	17	19
Zinc plated steel codes	7634	7269	7270
Stainless steel codes	7635	7272	7273

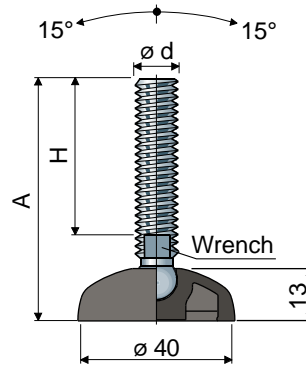
On request

- Bases: In reinforced polypropylene • other colours.
- Spindles with: Sunk hexagon head • second wrench seat head • hexagon wrench seat • threads with other pitches and lengths.
- Box quantity: Not standard.
- Assembling of: Anti-slip pads • nuts • washers.

Articulated feet

(base in reinforced polyamide)

Part. **10** Ø **40**



Spindle measures in mm				Spindle material			Max static load (N)
Ød	A	H	Wrench	Zinc plated steel Code	Stainless steel AISI 304 Code	Stainless steel AISI 316 Code	
M8	68	45	6	10 / 7390	10 / 7391	-	10000
	88	65	6	10 / 7392	10 / 7393	-	
	130	107	6	10 / 7894	10 / 7895	-	
M10	60	35	8	10 / 7000	10 / 7001	-	11000
	95	70	8	10 / 7002	10 / 7003	-	
	140	115	8	10 / 7004	10 / 7005	-	
M12	70	43	10	10 / 7006	10 / 7007	-	12000
	90	63	10	10 / 7008	10 / 7009	-	
	105	77	10	10 / 7394	10 / 7395	-	
	120	93	10	10 / 7010	10 / 7011	10 / 85117 NEW	
	150	123	10	10 / 7012	10 / 7013	-	
M14	90	61	12	10 / 7014	10 / 7015	-	13000
	120	91	12	10 / 7016	10 / 7017	-	
	145	116	12	10 / 7690	10 / 7691	-	

Spindle measures in inches				Spindle material			Max static load (N)
Ød	A	H	Wrench	Zinc plated steel Code	Stainless steel AISI 304 Code	Stainless steel AISI 316 Code	
1/2"-13 UNC	5,08"	4"	7/16"	10 / 83266	10 / 83267	-	12000

Base material: Reinforced polyamide black colour.

Box quantity: 24 pieces.

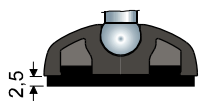
Accessories

Anti-slip pads:

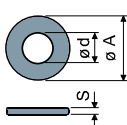
- code: 7263;

- material: thermoplastic rubber 68 Shore black colour;

- box quantity: 24 pieces.

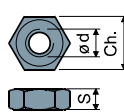


Washers UNI 6592-69 - **Box quantity:** 24 pieces.



Ø M	M8	M10	M12	M14
Smm	1,6	2	2,5	2,5
Ø A mm	17	21	24	28
Zinc plated steel codes	7636	7283	7284	7285
Stainless steel codes	7637	7286	7287	7288

Nuts UNI 5588-65 - **Box quantity:** 24 pieces.



Ø d	M8	M10	M12	M14
Smm	6,5	8	10	11
Ch. mm	13	17	19	22
Zinc plated steel codes	7634	7269	7270	7271
Stainless steel codes	7635	7272	7273	7274

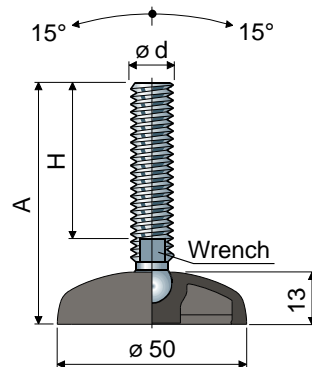
On request

- Bases: In reinforced polypropylene • other colours.
- Spindles with: Sunk hexagon head • second wrench seat head • hexagon wrench seat • threads with other pitches and lengths.
- Box quantity: Not standard.
- Assembling of: Anti-slip pads • nuts • washers.

Articulated feet

(base in reinforced polyamide)

Ø 50 Part. 15



Spindle measures in mm				Spindle material			
ød	A	H	Wrench	Zinc plated steel Code	Stainless steel AISI 304 Code	Stainless steel AISI 316 Code	Max static load (N)
M8	68	45	6	15 / 7396	15 / 7397	-	11000
	88	65	6	15 / 7398	15 / 7399	-	
	130	107	6	15 / 7896	15 / 7897	-	
M10	60	35	8	15 / 7018	15 / 7019	-	12000
	95	70	8	15 / 7020	15 / 7021	-	
	140	115	8	15 / 7022	15 / 7023	-	
M12	70	43	10	15 / 7024	15 / 7025	-	13000
	90	63	10	15 / 7026	15 / 7027	-	
	105	77	10	15 / 7400	15 / 7401	-	
	120	93	10	15 / 7028	15 / 7029	15 / 85118 NEW	
	150	123	10	15 / 7030	15 / 7031	-	
M14	90	61	12	15 / 7032	15 / 7033	-	14000
	120	91	12	15 / 7034	15 / 7035	-	
	145	116	12	15 / 7886	15 / 7887	-	

Spindle measures in inches				Spindle material		
ød	A	H	Wrench	Zinc plated steel Code	Stainless steel AISI 304 Code	Max static load (N)
1/2"-13 UNC	5,1"	4"	7/16"	15 / 83268	15 / 83269	12000

Base material: Reinforced polyamide black colour.

Box quantity: 24 pieces.

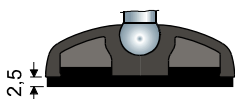
Accessories

Anti-slip pads:

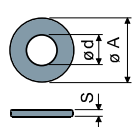
- code: 7264;

- material: thermoplastic rubber 68 Shore black colour;

- box quantity: 24 pieces.

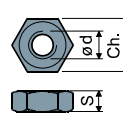


Washers UNI 6592-69 - Box quantity: 24 pieces.



ø M	M8	M10	M12	M14
Smm	1,6	2	2,5	2,5
ø A mm	17	21	24	28
Zinc plated steel codes	7636	7283	7284	7285
Stainless steel codes	7637	7286	7287	7288

Nuts UNI 5588-65 - Box quantity: 24 pieces.



ø d	M8	M10	M12	M14
Smm	6,5	8	10	11
Ch. mm	13	17	19	22
Zinc plated steel codes	7634	7269	7270	7271
Stainless steel codes	7635	7272	7273	7274

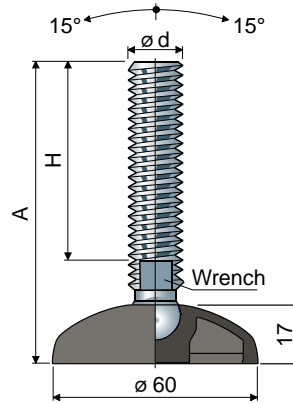
On request

- Bases: In reinforced polypropylene • other colours.
- Spindles with: Sunk hexagon head • second wrench seat head • hexagon wrench seat • threads with other pitches and lengths.
- Box quantity: Not standard.
- Assembling of: Anti-slip pads • nuts • washers.

Articulated feet

(base in reinforced polyamide)

Part. **18** \varnothing **60**



Spindle measures in mm				Spindle material			Max static load (N)
$\varnothing d$	A	H	Wrench	Zinc plated steel Code	Stainless steel AISI 304 Code	Stainless steel AISI 316 Code	
M8	72	45	6	18 / 7402	18 / 7403	-	12000
	92	65	6	18 / 7404	18 / 7405	-	
	134	107	6	18 / 7898	18 / 7899	-	
M10	64	35	8	18 / 7036	18 / 7037	-	13000
	99	70	8	18 / 7038	18 / 7039	-	
	144	115	8	18 / 7040	18 / 7041	-	
M12	74	43	10	18 / 7042	18 / 7043	-	14000
	94	63	10	18 / 7044	18 / 7045	-	
	109	77	10	18 / 7406	18 / 7407	-	
	124	93	10	18 / 7046	18 / 7047	18 / 85119 NEW	
	154	123	10	18 / 7048	18 / 7049	-	
M14	94	61	12	18 / 7050	18 / 7051	-	15000
	124	91	12	18 / 7052	18 / 7053	-	
	149	116	12	18 / 7888	18 / 7889	-	
M16	95	60	13	18 / 7054	18 / 7055	18 / 85120 NEW	17000
	125	90	13	18 / 7408	18 / 7409	-	
	140	105	13	18 / 7056	18 / 7057	-	
	160	125	13	18 / 7058	18 / 7059	18 / 85121 NEW	
	190	155	13	18 / 7410	18 / 7411	-	
M20	200	165	13	18 / 7060	18 / 7061	-	19000
	240	205	13	18 / 83156	18 / 83157	-	
	125	86	17	18 / 7062	18 / 7063	-	
	155	116	17	18 / 7064	18 / 7065	-	
	180	141	17	18 / 7066	18 / 7067	18 / 85122 NEW	
	245	206	17	18 / 7068	18 / 7069	-	

Spindle measures in inches				Spindle material			Max static load (N)
$\varnothing d$	A	H	Wrench	Zinc plated steel Code	Stainless steel AISI 304 Code	Stainless steel AISI 316 Code	
1/2" -13 UNC	5,24"	4"	7/16"	18 / 83270	18 / 83271	-	14000
5/8" -11 UNC	8,36"	7"	1/2"	18 / 83272	18 / 83273	-	17000
3/4" -10 UNC	8,43"	7"	5/8"	18 / 83274	18 / 83275	-	19000

Base material: Reinforced polyamide black colour.

Box quantity: 24 pieces.

Accessories

Anti-slip pads:

- code: 7265;
- material: thermoplastic rubber 68 Shore black colour;
- box quantity: 24 pieces.

Washers UNI 6592-69 - Box quantity: 24 pieces.



$\varnothing M$	M8	M10	M12	M14	M16	M20
Smm	1,6	2	2,5	2,5	3	3
$\varnothing A$ mm	17	21	24	28	30	37
Zinc plated steel codes	7636	7283	7284	7285	7289	7290
Stainless steel codes	7637	7286	7287	7288	7291	7292

Nuts UNI 5588-65 - Box quantity: 24 pieces.

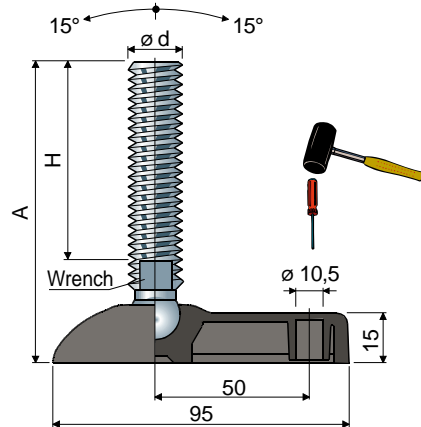
$\varnothing d$	M8	M10	M12	M14	M16	M20
Smm	6,5	8	10	11	13	16
Ch. mm	13	17	19	22	24	30
Zinc plated steel codes	7634	7269	7270	7271	7275	7276
Stainless steel codes	7635	7272	7273	7274	7277	7278

On request

- Bases: In reinforced polypropylene • other colours.
- Spindles with: Sunk hexagon head • second wrench seat head • hexagon wrench seat • threads with other pitches and lengths.
- Box quantity: Not standard.
- Assembling of: Anti-slip pads • nuts • washers.

Articulated feet

(base in reinforced polyamide)



60X95 Part. 27



Spindle measures in mm				Spindle material			Max static load (N)
$\varnothing d$	A	H	Wrench	Zinc plated steel Code	Stainless steel AISI 304 Code	Stainless steel AISI 316 Code	
M8	72	45	6	27 / 7412	27 / 7413	-	12000
	92	65	6	27 / 7414	27 / 7415	-	
	134	107	6	27 / 7900	27 / 7901	-	
M10	64	35	8	27 / 7416	27 / 7417	-	13000
	99	70	8	27 / 7418	27 / 7419	-	
	144	115	8	27 / 7420	27 / 7421	-	
M12	74	43	10	27 / 7422	27 / 7423	-	14000
	94	63	10	27 / 7424	27 / 7425	-	
	109	77	10	27 / 7426	27 / 7427	-	
	124	93	10	27 / 7428	27 / 7429	27 / 85171 NEW	
	154	123	10	27 / 7430	27 / 7431	-	
M14	94	61	12	27 / 7432	27 / 7433	-	15000
	124	91	12	27 / 7434	27 / 7435	-	
	149	116	12	27 / 7890	27 / 7891	-	
M16	95	60	13	27 / 7436	27 / 7437	27 / 85172 NEW	17000
	125	90	13	27 / 7438	27 / 7439	-	
	140	105	13	27 / 7440	27 / 7441	-	
	160	125	13	27 / 7442	27 / 7443	27 / 85173 NEW	
	190	155	13	27 / 7444	27 / 7445	-	
	200	165	13	27 / 7446	27 / 7447	-	
M20	240	205	13	27 / 83158	27 / 83159	-	19000
	125	86	17	27 / 7448	27 / 7449	-	
	155	116	17	27 / 7450	27 / 7451	-	
	180	141	17	27 / 7452	27 / 7453	27 / 85174 NEW	
	245	206	17	27 / 7454	27 / 7455	-	

Spindle measures in inches				Spindle material		Max static load (N)
$\varnothing d$	A	H	Wrench	Zinc plated steel Code	Stainless steel AISI 304 Code	
1/2"-13 UNC	5,24"	4"	7/16"	27 / 83276	27 / 83277	14000
5/8"-11 UNC	8,38"	7"	1/2"	27 / 83278	27 / 83279	17000
3/4"-10 UNC	8,47"	7"	5/8"	27 / 83280	27 / 83281	19000

Base material: Reinforced polyamide black colour.

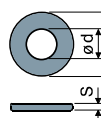
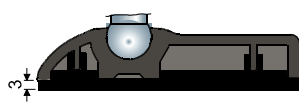
Box quantity: 24 pieces.

Accessories

Anti-slip pads:

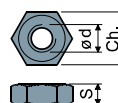
- code: 7632;
- material: thermoplastic rubber 68 Shore black colour;
- box quantity: 24 pieces.

Washers UNI 6592-69 - Box quantity: 24 pieces.



$\varnothing M$	M8	M10	M12	M14	M16	M20
Smm	1,6	2	2,5	2,5	3	3
$\varnothing A$ mm	17	21	24	28	30	37
Zinc plated steel codes	7636	7283	7284	7285	7289	7290
Stainless steel codes	7637	7286	7287	7288	7291	7292

Nuts UNI 5588-65 - Box quantity: 24 pieces.



$\varnothing d$	M8	M10	M12	M14	M16	M20
Smm	6,5	8	10	11	13	16
Ch. mm	13	17	19	22	24	30
Zinc plated steel codes	7634	7269	7270	7271	7275	7276
Stainless steel codes	7635	7272	7273	7274	7277	7278

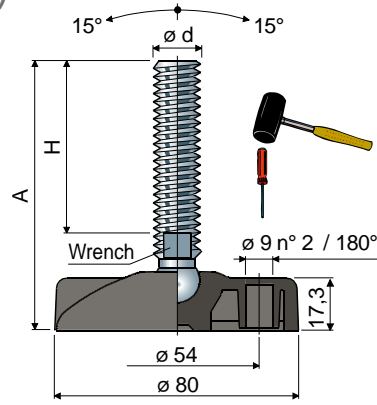
On request

- Bases: In reinforced polypropylene • other colours • with prebored fixing holes.
- Spindles with: Sunk hexagon head • second wrench seat head • hexagon wrench seat • threads with other pitches and lengths.
- Box quantity: Not standard.
- Assembling of: Anti-slip pads • nuts • washers.

Articulated feet

(base in reinforced polyamide)

Part. **25** \varnothing **80**



Spindle measures in mm				Spindle material			Max static load (N)
$\varnothing d$	A	H	Wrench	Zinc plated steel Code	Stainless steel AISI 304 Code	Stainless steel AISI 316 Code	
M8	74	45	6	25 / 7456	25 / 7457	-	12000
	94	65	6	25 / 7458	25 / 7459	-	
	136	107	6	25 / 7902	25 / 7903	-	
M10	66	35	8	25 / 7070	25 / 7071	-	14000
	101	70	8	25 / 7072	25 / 7073	-	
	146	115	8	25 / 7074	25 / 7075	-	
M12	76	43	10	25 / 7076	25 / 7077	-	15000
	96	63	10	25 / 7078	25 / 7079	-	
	111	77	10	25 / 7460	25 / 7461	-	
	126	93	10	25 / 7080	25 / 7081	25 / 85123 NEW	
M14	156	123	10	25 / 7082	25 / 7083	-	16000
	96	61	12	25 / 7084	25 / 7085	-	
	126	91	12	25 / 7086	25 / 7087	-	
M16	151	116	12	25 / 7892	25 / 7893	-	19000
	97	60	13	25 / 7088	25 / 7089	25 / 85124 NEW	
	127	90	13	25 / 7462	25 / 7463	-	
	142	105	13	25 / 7090	25 / 7091	-	
	162	125	13	25 / 7092	25 / 7093	25 / 85125 NEW	
	192	155	13	25 / 7464	25 / 7465	-	
M20	202	165	13	25 / 7094	25 / 7095	-	21000
	242	205	13	25 / 83160	25 / 83161	-	
	127	86	17	25 / 7096	25 / 7097	-	
	157	116	17	25 / 7098	25 / 7099	-	
M24	182	141	17	25 / 7100	25 / 7101	25 / 85126 NEW	23000
	247	206	17	25 / 7102	25 / 7103	-	
	137	96	19	25 / 7466	25 / 7467	-	
	163	122	19	25 / 7104	25 / 7105	-	
	193	152	19	25 / 7106	25 / 7107	-	
223	182	19	25 / 7108	25 / 7109	-	23000	
341	300	19	25 / 7472	25 / 7473	-		

Spindle measures in inches				Spindle material			Max static load (N)
$\varnothing d$	A	H	Wrench	Zinc plated steel Code	Stainless steel AISI 304 Code	Stainless steel AISI 316 Code	
1/2" -13 UNC	5,20"	4"	7/16"	25 / 83282	25 / 83283	-	15000
5/8" -11 UNC	8,32"	7"	1/2"	25 / 83284	25 / 83285	-	19000
3/4" -10 UNC	8,41"	7"	5/8"	25 / 83286	25 / 83287	-	21000

Base material: Reinforced polyamide black colour.

Box quantity: 24 pieces.

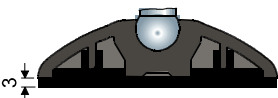
Accessories

Anti-slip pads:

- code: 7266;

- material: thermoplastic rubber 68 Shore black colour;

- box quantity: 24 pieces.



On request

- Bases: In reinforced polypropylene • other colours • with prebored fixing holes.
- Spindles with: Sunk hexagon head • second wrench seat head • hexagon wrench seat • threads with other pitches and lengths.
- Box quantity: Not standard.
- Assembling of: Anti-slip pads • nuts • washers.

Washers UNI 6592-69 - Box quantity: 24 pieces.

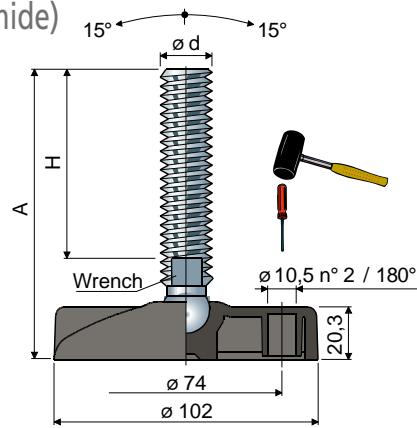
\varnothing M	M8	M10	M12	M14	M16	M20	M24
Smm	1,6	2	2,5	2,5	3	3	4
\varnothing A mm	17	21	24	28	30	37	44
Zinc plated steel codes	7636	7283	7284	7285	7289	7290	7293
Stainless steel codes	7637	7286	7287	7288	7291	7292	7294

Nuts UNI 5588-65 - Box quantity: 24 pieces.

$\varnothing d$	M8	M10	M12	M14	M16	M20	M24
Smm	6,5	8	10	11	13	16	19
Ch. mm	13	17	19	22	24	30	36
Zinc plated steel codes	7634	7269	7270	7271	7275	7276	7279
Stainless steel codes	7635	7272	7273	7274	7277	7278	7280

Articulated feet

(base in reinforced polyamide)



Ø 102 Part. 38

Spindle measures in mm				Spindle material			Max static load (N)
ød	A	H	Wrench	Zinc plated steel Code	Stainless steel AISI 304 Code	Stainless steel AISI 316 Code	
M12	79	43	10	38 / 83166	38 / 83167	-	15000
	99	63	10	38 / 83168	38 / 83169	-	
	114	78	10	38 / 83170	38 / 83171	-	
	129	93	10	38 / 83172	38 / 83173	38 / 85127 NEW	
	159	123	10	38 / 83174	38 / 83175	-	
M14	99	61	12	38 / 83176	38 / 83177	-	18000
	129	91	12	38 / 83178	38 / 83179	-	
	154	116	12	38 / 83180	38 / 83181	-	
M16	100	60	13	38 / 7110	38 / 7111	38 / 85128 NEW	22000
	130	90	13	38 / 7474	38 / 7475	-	
	145	105	13	38 / 7112	38 / 7113	-	
	165	125	13	38 / 7114	38 / 7115	38 / 85129 NEW	
	195	155	13	38 / 7476	38 / 7477	-	
	205	165	13	38 / 7116	38 / 7117	-	
M20	245	205	13	38 / 83182	38 / 83183	-	24000
	130	86	17	38 / 7118	38 / 7119	-	
	160	116	17	38 / 7120	38 / 7121	-	
	185	141	17	38 / 7122	38 / 7123	38 / 85130 NEW	
M24	250	206	17	38 / 7124	38 / 7125	-	26000
	140	96	19	38 / 7478	38 / 7479	-	
	166	122	19	38 / 7126	38 / 7127	-	
	196	152	19	38 / 7128	38 / 7129	-	
	226	182	19	38 / 7130	38 / 7131	-	
344	300	19	38 / 7484	38 / 7485	-		

Spindle measures in inches				Spindle material			Max static load (N)
ød	A	H	Wrench	Zinc plated steel Code	Stainless steel AISI 304 Code		
1/2"-13 UNC	5,44"	4"	7/16"	38 / 83288	38 / 83289	15000	
5/8"-11 UNC	8,57"	7"	1/2"	38 / 83290	38 / 83291	22000	
3/4"-10 UNC	8,65"	7"	5/8"	38 / 83292	38 / 83293	24000	

Base material: Reinforced polyamide black colour.

Box quantity: 24 pieces.

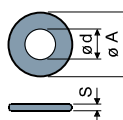
Accessories

Anti-slip pads:

- code: 7267;
- material: thermoplastic rubber 68 Shore black colour;
- box quantity: 24 pieces.

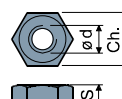


Washers UNI 6592-69 - Box quantity: 24 pieces.



ø M	M12	M14	M16	M20	M24
Smm	2,5	2,5	3	3	4
ø A mm	24	28	30	37	44
Zinc plated steel codes	7284	7285	7289	7290	7293
Stainless steel codes	7287	7288	7291	7292	7294

Nuts UNI 5588-65 - Box quantity: 24 pieces.



ø d	M12	M14	M16	M20	M24
Smm	10	11	13	16	19
Ch. mm	19	22	24	30	36
Zinc plated steel codes	7270	7271	7275	7276	7279
Stainless steel codes	7273	7274	7277	7278	7280

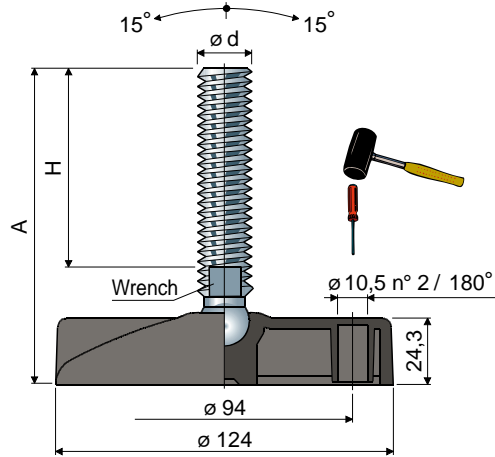
On request

- Bases: In reinforced polypropylene • other colours • with prebored fixing holes.
- Spindles with: Sunk hexagon head • second wrench seat head • hexagon wrench seat • threads with other pitches and lengths.
- Box quantity: Not standard.
- Assembling of: Anti-slip pads • nuts • washers.

Articulated feet

(base in reinforced polyamide)

Part. **45** Ø **124**



Spindle measures in mm				Spindle material			Max static load (N)
ød	A	H	Wrench	Zinc plated steel Code	Stainless steel AISI 304 Code	Stainless steel AISI 316 Code	
M14	103	61	12	45 / 83184	45 / 83185	-	18000
	133	91	12	45 / 83186	45 / 83187	-	
	158	116	12	45 / 83188	45 / 83189	-	
M16	104	60	13	45 / 7132	45 / 7133	45 / 85131 NEW	25000
	134	90	13	45 / 7486	45 / 7487	-	
	149	105	13	45 / 7134	45 / 7135	-	
	169	125	13	45 / 7136	45 / 7137	45 / 85132 NEW	
	199	155	13	45 / 7488	45 / 7489	-	
	209	165	13	45 / 7138	45 / 7139	-	
	249	205	13	45 / 83162	45 / 83163	-	
M20	134	86	17	45 / 7140	45 / 7141	-	27000
	164	116	17	45 / 7142	45 / 7143	-	
	189	141	17	45 / 7144	45 / 7145	45 / 85133 NEW	
	254	206	17	45 / 7146	45 / 7147	-	
M24	144	96	19	45 / 7490	45 / 7491	-	29000
	170	122	19	45 / 7148	45 / 7149	-	
	200	152	19	45 / 7150	45 / 7151	-	
	230	182	19	45 / 7152	45 / 7153	-	
	348	300	19	45 / 7496	45 / 7497	-	

Spindle measures in inches				Spindle material		Max static load (N)
ød	A	H	Wrench	Zinc plated steel Code	Stainless steel AISI 304 Code	
5/8" -11 UNC	8,75"	7"	1/2"	45 / 83294	45 / 83295	25000
3/4" -10 UNC	8,82"	7"	5/8"	45 / 83296	45 / 83297	27000

Base material: Reinforced polyamide black colour.

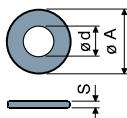
Box quantity: 8 pieces.

Accessories

Anti-slip pads:

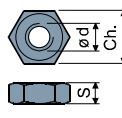
- code: 7268;
- material: thermoplastic rubber 68 Shore black colour;
- box quantity: 8 pieces.

Washers UNI 6592-69 - Box quantity: 24 pieces.



ø M	M14	M16	M20	M24
Smm	2,5	3	3	4
ø A mm	28	30	37	44
Zinc plated steel codes	7285	7289	7290	7293
Stainless steel codes	7288	7291	7292	7294

Nuts UNI 5588-65 - Box quantity: 24 pieces.



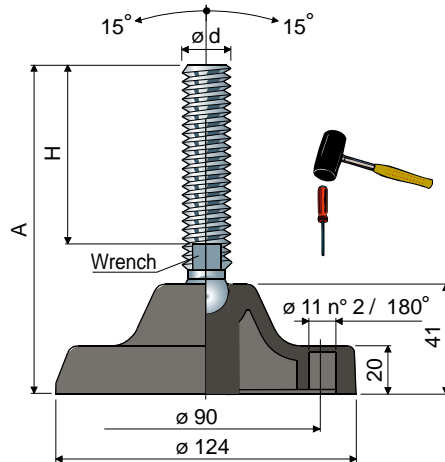
ø d	M14	M16	M20	M24
Smm	11	13	16	19
Ch. mm	22	24	30	36
Zinc plated steel codes	7271	7275	7276	7279
Stainless steel codes	7274	7277	7278	7280

On request

- Bases: In reinforced polypropylene • other colours • with prebored fixing holes.
- Spindles with: Sunk hexagon head • second wrench seat head • hexagon wrench seat • threads with other pitches and lengths.
- Box quantity: Not standard.
- Assembling of: Anti-slip pads • nuts • washers.

Articulated feet

(base in reinforced polyamide)



ø 124 Part. 92

Spindle measures in mm				Spindle material			Max static load (N)
ød	A	H	Wrench	Zinc plated steel Code	Stainless steel AISI 304 Code	Stainless steel AISI 316 Code	
M16	124	60	13	92 / 7782	92 / 7783	92 / 85134 NEW	25000
	154	90	13	92 / 7784	92 / 7785	-	
	165	105	13	92 / 7786	92 / 7787	-	
	189	125	13	92 / 7788	92 / 7789	92 / 85135 NEW	
	219	155	13	92 / 7790	92 / 7791	-	
	229	165	13	92 / 7792	92 / 7793	-	
	265	205	13	92 / 83164	92 / 83165	-	
M20	153	86	17	92 / 7794	92 / 7795	-	27000
	183	116	17	92 / 7796	92 / 7797	-	
	208	141	17	92 / 7798	92 / 7799	92 / 85136 NEW	
	273	206	17	92 / 7800	92 / 7801	-	
M24	159	96	19	92 / 80702	92 / 80703	-	29000
	185	122	19	92 / 80704	92 / 80705	-	
	215	152	19	92 / 80706	92 / 80707	-	
	245	182	19	92 / 80708	92 / 80709	-	
	363	300	19	92 / 80710	92 / 80711	-	

Spindle measures in inches				Spindle material			Max static load (N)
ød	A	H	Wrench	Zinc plated steel Code	Stainless steel AISI 304 Code	Stainless steel AISI 316 Code	
5/8"-11 UNC	9,29"	7"	1/2"	92 / 83298	92 / 83299	-	25000
3/4"-10 UNC	9,37"	7"	5/8"	92 / 83300	92 / 83301	-	27000

Base material: Reinforced polyamide black colour.

Box quantity: 8 pieces.

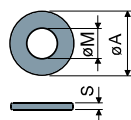
Accessories

Anti-slip pads:

- code: 7633;
- material: thermoplastic rubber 68 Shore black colour;
- box quantity: 8 pieces.

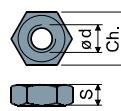


Washers UNI 6592-69 - Box quantity: 24 pieces.



ø M	M16	M20	M24
Smm	3	3	4
ø A mm	30	37	44
Zinc plated steel codes	7289	7290	7293
Stainless steel codes	7291	7292	7294

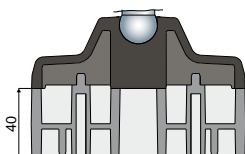
Nuts UNI 5588-65 - Box quantity: 24 pieces.



ød	M16	M20	M24
Smm	13	16	19
Ch. mm	24	30	36
Zinc plated steel codes	7275	7276	7279
Stainless steel codes	7277	7278	7280

Spacers:

- code: 83410 (see pag. 188);
- material: Reinforced polyamide black colour;
- box quantity: 8 pieces.



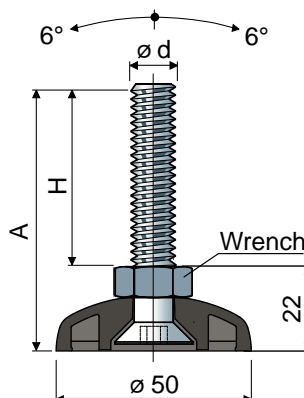
On request

- Bases: In reinforced polypropylene • other colours • with prebored fixing holes.
- Spindles with: Sunk hexagon head • second wrench seat head • hexagon wrench seat • threads with other pitches and lengths.
- Box quantity: Not standard.
- Assembling of: Anti-slip pads • nuts • washers.

Adjustable feet

(base in reinforced polyamide)

Part. **79** \varnothing **50**



Spindle measures in mm				Spindle material		
$\varnothing d$	A	H	Wrench	Zinc plated steel Code	Stainless steel AISI 304 Code	Max static load (N)
M10	67	45	17	79 / 82074	79 / 82075	12000
	92	70	17	79 / 82076	79 / 82077	
	122	100	17	79 / 82078	79 / 82079	

Base material: Reinforced polyamide black colour.

Box quantity: 24 pieces.

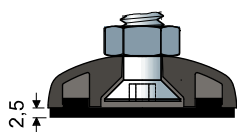
Accessories

Anti-slip pads:

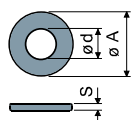
- code: 7264;

- material: thermoplastic rubber 68 Shore black colour;

- box quantity: 24 pieces.

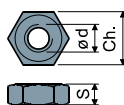


Washers UNI 6592-69 - Box quantity: 24 pieces.



$\varnothing M$	M10
Smm	2
$\varnothing A$ mm	21
Zinc plated steel codes	7283
Stainless steel codes	7286

Nuts UNI 5588-65 - Box quantity: 24 pieces.



$\varnothing d$	M10
Smm	8
Ch. mm	17
Zinc plated steel codes	7269
Stainless steel codes	7272

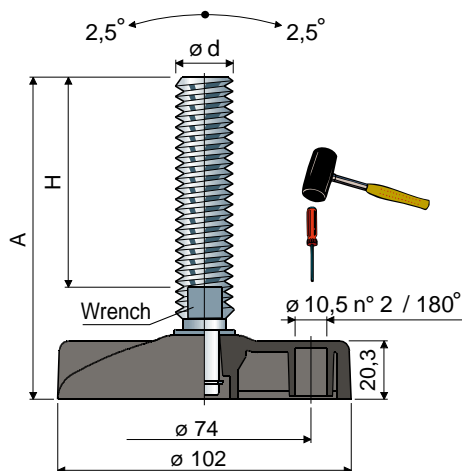
On request

- Bases: In reinforced polypropylene • other colours.
- Spindles with: Threads with other pitches and lengths.
- Box quantity: Not standard.
- Assembling of: Anti-slip pads • nuts • washers.

Adjustable feet

(base in reinforced polyamide)

Ø 102 Part. 87



Spindle measures in mm				Spindle material			Max static load (N)
$\varnothing d$	A	H	Wrench	Zinc plated steel Code	Stainless steel AISI 304 Code	Stainless steel AISI 316 Code	
M16	98	58	13	87 / 7498	87 / 7499	-	33000
	159	119	13	87 / 7904	87 / 7905	-	
	185	145	13	87 / 7154	87 / 7155	-	
	241	201	13	87 / 7156	87 / 7157	-	
M18	197	157	15	87 / 82134	87 / 82135	-	35000
	150	107	17	87 / 7158	87 / 7159	-	
	178	135	17	87 / 7500	87 / 7501	-	
M20	200	157	17	87 / 7160	87 / 7161	87 / 85137 NEW	37000
	233	190	17	87 / 83214	87 / 83215	-	
	281	238	17	87 / 83216	87 / 83217	-	
	136	90	19	87 / 7162	87 / 7163	-	
M24	173	127	19	87 / 7502	87 / 7503	-	37000
	208	162	19	87 / 7164	87 / 7165	-	
	248	202	19	87 / 83218	87 / 83219	-	

Base material: Reinforced polyamide black colour.

Box quantity: 24 pieces.

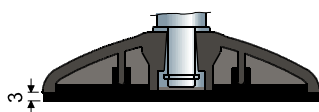
Accessories

Anti-slip pads:

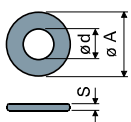
- code: 7267;

- material: thermoplastic rubber 68 Shore black colour;

- box quantity: 24 pieces.

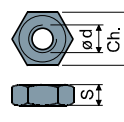


Washers UNI 6592-69 - Box quantity: 24 pieces.



$\varnothing M$	M16	M20	M24
Smm	3	3	4
$\varnothing A$ mm	30	37	44
Zinc plated steel codes	7289	7290	7293
Stainless steel codes	7291	7292	7294

Nuts UNI 5588-65 - Box quantity: 24 pieces.



$\varnothing d$	M16	M20	M24
Smm	13	16	19
Ch. mm	24	30	36
Zinc plated steel codes	7275	7276	7279
Stainless steel codes	7277	7278	7280

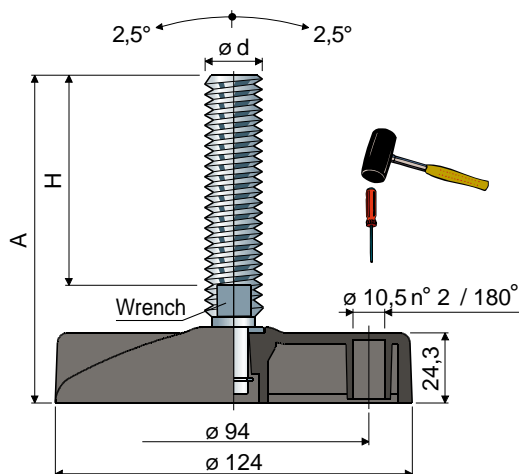
On request

- Bases: In reinforced polypropylene • other colours • with prebored fixing holes.
- Spindles with: Sunk hexagon head • second wrench seat head • hexagon wrench seat • threads with other pitches and lengths.
- Box quantity: Not standard.
- Assembling of: Anti-slip pads • nuts • washers.

Adjustable feet

(base in reinforced polyamide)

Part. **89** Ø **124**



Spindle measures in mm				Spindle material			Max static load (N)
$\varnothing d$	A	H	Wrench	Zinc plated steel Code	Stainless steel AISI 304 Code	Stainless steel AISI 316 Code	
M16	100	58	13	89 / 7504	89 / 7505	-	43000
	161	119	13	89 / 7906	89 / 7907	-	
	187	145	13	89 / 7166	89 / 7167	-	
	243	201	13	89 / 7168	89 / 7169	-	
M18	199	157	15	89 / 7852	89 / 7851	-	45000
	152	107	17	89 / 7170	89 / 7171	-	
	180	135	17	89 / 7506	89 / 7507	-	
M20	202	157	17	89 / 7172	89 / 7173	89 / 85138 NEW	45000
	235	190	17	89 / 83220	89 / 83221	-	
	283	238	17	89 / 83222	89 / 83223	-	
	138	90	19	89 / 7174	89 / 7175	-	
M24	175	127	19	89 / 7508	89 / 7509	-	47000
	210	162	19	89 / 7176	89 / 7177	-	
	250	202	19	89 / 83224	89 / 83225	-	
	173	125	24	89 / 7178	89 / 7179	-	
233	185	24	89 / 7180	89 / 7181	-		

Base material: Reinforced polyamide black colour.

Box quantity: 8 pieces.

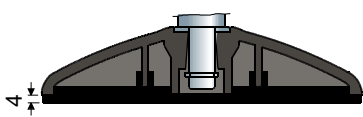
Accessories

Anti-slip pads:

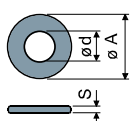
- code: 7268;

- material: thermoplastic rubber 68 Shore black colour;

- box quantity: 8 pieces.

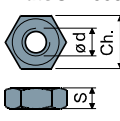


Washers UNI 6592-69 - Box quantity: 24 pieces.



$\varnothing M$	M16	M20	M24	M30
Smm	3	3	4	4
$\varnothing A$ mm	30	37	44	56
Zinc plated steel codes	7289	7290	7293	7295
Stainless steel codes	7291	7292	7294	7296

Nuts UNI 5588-65 - Box quantity: 24 pieces.



$\varnothing d$	M16	M20	M24	M30
Smm	13	16	19	24
Ch. mm	24	30	36	46
Zinc plated steel codes	7275	7276	7279	7281
Stainless steel codes	7277	7278	7280	7282

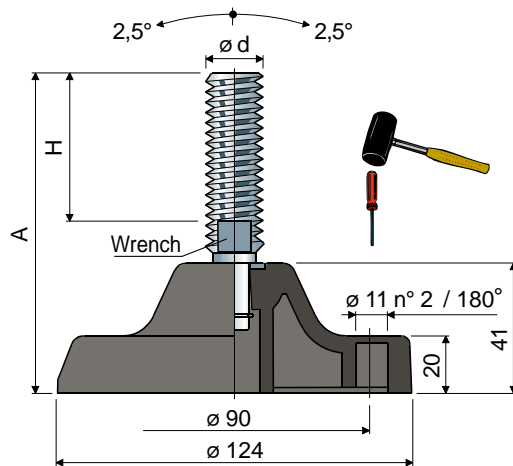
On request

- Bases: In reinforced polypropylene • other colours • with prebored fixing holes.
- Spindles with: Sunk hexagon head • second wrench seat head • hexagon wrench seat • threads with other pitches and lengths.
- Box quantity: Not standard.
- Assembling of: Anti-slip pads • nuts • washers.

Articulated feet

(base in reinforced polyamide)

∅ 124 Part. 93



Spindle measures in mm				Spindle material				Max static load (N)
∅ d	A	H	Wrench	Zinc plated steel Code	Stainless steel AISI 304 Code	Stainless steel AISI 316 Code		
M16	119	58	13	93 / 7510	93 / 7511	-	43000	
	180	119	13	93 / 7908	93 / 7909	-		
	206	145	13	93 / 7512	93 / 7513	-		
	262	201	13	93 / 7514	93 / 7515	-		
M18	214	157	15	93 / 82136	93 / 82137	-		
	171	107	17	93 / 7516	93 / 7517	-		
	199	135	17	93 / 7518	93 / 7519	-		
M20	221	157	17	93 / 7520	93 / 7521	93 / 85139 NEW	45000	
	250	190	17	93 / 83226	93 / 83227	-		
	298	238	17	93 / 83228	93 / 83229	-		
	157	90	19	93 / 7522	93 / 7523	-		
M24	194	127	19	93 / 7524	93 / 7525	-	47000	
	229	162	19	93 / 7526	93 / 7527	-		
	265	202	19	93 / 83230	93 / 83231	-		
	188	125	24	93 / 7528	93 / 7529	-		50000
252	185	24	93 / 7530	93 / 7531	-			

Base material: Reinforced polyamide black colour.

Box quantity: 8 pieces.

Accessories

Anti-slip pads:

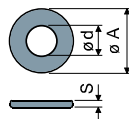
- code: 7633;

- material: thermoplastic rubber 68 Shore black colour;

- box quantity: 8 pieces.

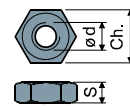


Washers UNI 6592-69 - Box quantity: 24 pieces.



∅ M	M16	M20	M24	M30
Smm	3	3	4	4
∅ A mm	30	37	44	56
Zinc plated steel codes	7289	7290	7293	7295
Stainless steel codes	7291	7292	7294	7296

Nuts UNI 5588-65 - Box quantity: 24 pieces.



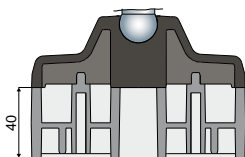
∅ d	M16	M20	M24	M30
Smm	13	16	19	24
Ch. mm	24	30	36	46
Zinc plated steel codes	7275	7276	7279	7281
Stainless steel codes	7277	7278	7280	7282

Spacers:

- code: 83410 (see pag. 188);

- material: Reinforced polyamide black colour;

- box quantity: 8 pieces.



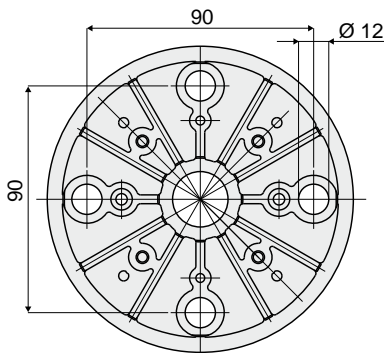
On request

- Bases: In reinforced polypropylene • other colours • with prebored fixing holes.
- Spindles with: Sunk hexagon head • second wrench seat head • hexagon wrench seat • threads with other pitches and lengths.
- Box quantity: Not standard.
- Assembling of: Anti-slip pads • nuts • washers.

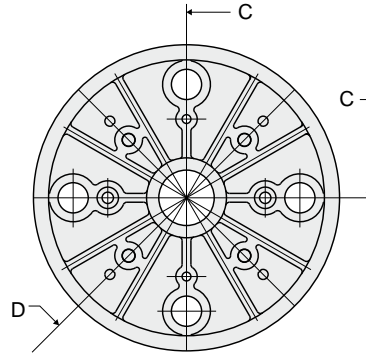
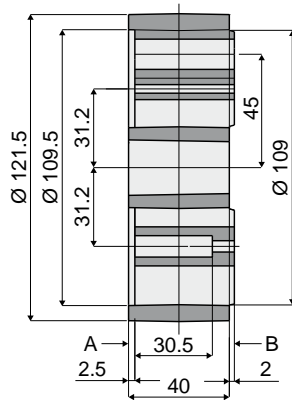
Spacer

(for Part. 92, 93)

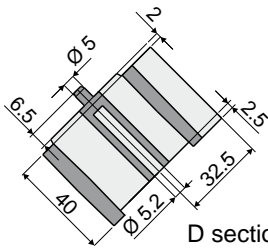
Part. **104**



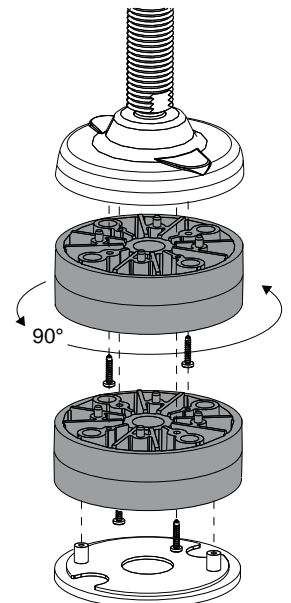
B view (spacer)



A view (spacer)



D section (blocking pins)



Example of application

Code
104 / 83410

Materials: Spacer in reinforced polyamide black colour.

Features: To be used with footplates part. 92 and 93 to increase the height of the footplates. It is possible to assemble the anti-slip code 7633 (see page 183, 187).

Box quantity: 8 pieces.

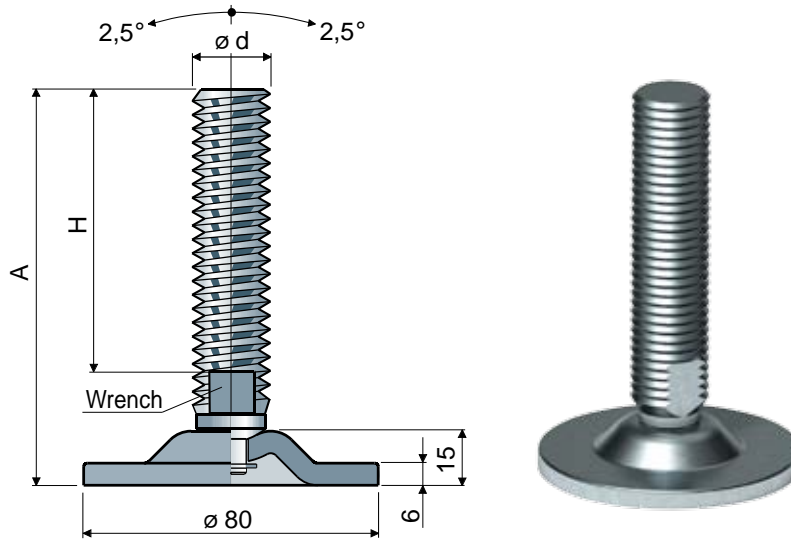
On request:

- **Box Quantity:** According to your request.

Adjustable feet

(base in steel)

Ø 80 Part. 81

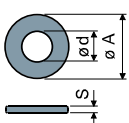


Spindle measures in mm				Spindle and base in zinc plated steel		Max static load (N)
$\varnothing d$	A	H	Wrench	Code		
M20	120	87	17	81 / 80786	40000	
	154	117	30	81 / 84318		
	160	127	30	81 / 82882		
M24	120	85	19	81 / 80214		

Material: Base and spindle in zinc-plated steel.

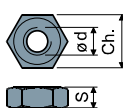
Box quantity: 8 pieces.

Washers UNI 6592-69 - Box quantity: 24 pieces.



$\varnothing M$	M20	M24
Smm	3	4
$\varnothing A$ mm	37	44
Zinc plated steel codes	7290	7293

Nuts UNI 5588-65 - Box quantity: 24 pieces.



$\varnothing d$	M20	M24
Smm	16	19
Ch. mm	30	36
Zinc plated steel codes	7276	7279

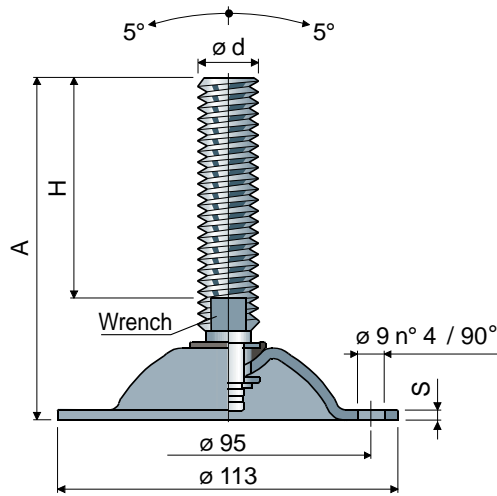
On request

- Spindles with: Sunk hexagon head • second wrench seat head • hexagon wrench seat • threads with other pitches and lengths.
- Box quantity: Not standard.
- Assembling of: Nuts • washers.

Adjustable feet

(base in steel)

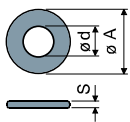
Part. **96** Ø **113**



Spindle measures in mm				Spindle material		Max static load (N)	
$\varnothing d$	A	H	Wrench	Zinc plated steel Code	Stainless steel AISI 304 Code		
M16	100	58	13	96 / 7562	96 / 7563	15000 (zinc plated) S = 3,5	
	161	119	13	96 / 7916	96 / 7917		
	187	145	13	96 / 7564	96 / 7565		
	243	201	13	96 / 7566	96 / 7567		
M18	199	157	15	96 / 82138	96 / 82139		
	152	107	17	96 / 7568	96 / 7569		
	180	135	17	96 / 7570	96 / 7571		
M20	202	157	17	96 / 7572	96 / 7573		10000 (AISI 304) S = 3
	235	190	17	96 / 83232	96 / 83233		
	283	238	17	96 / 83234	96 / 83235		
	138	90	19	96 / 7574	96 / 7575		
M24	175	127	19	96 / 7576	96 / 7577		
	210	162	19	96 / 7578	96 / 7579		
	250	202	19	96 / 83236	96 / 83237		
	M30	173	125	24	96 / 7580	96 / 7581	
233		185	24	96 / 7582	96 / 7583		

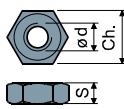
Box quantity: 8 pieces.

Washers UNI 6592-69 - Box quantity: 24 pieces.



$\varnothing M$	M16	M20	M24	M30
Smm	3	3	4	4
$\varnothing A$ mm	30	37	44	56
Zinc plated steel codes	7289	7290	7293	7295
Stainless steel codes	7291	7292	7294	7296

Nuts UNI 5588-65 - Box quantity: 24 pieces.



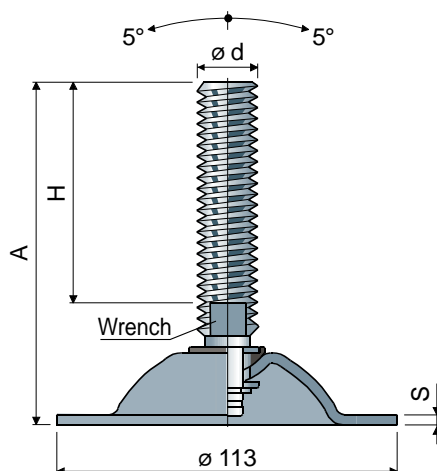
$\varnothing d$	M16	M20	M24	M30
Smm	13	16	19	24
Ch. mm	24	30	36	46
Zinc plated steel codes	7275	7276	7279	7281
Stainless steel codes	7277	7278	7280	7282

On request

- Spindles with: Sunk hexagon head • second wrench seat head • hexagon wrench seat • threads with other pitches and lengths • stainless steel AISI 316.
- Box quantity: Not standard.
- Assembling of: Nuts • washers.

Adjustable feet

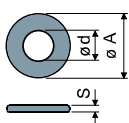
(base in steel)

∅ 113 Part. **98**


Spindle measures in mm				Spindle material		Max static load (N)
∅ d	A	H	Wrench	Zinc plated steel Code	Stainless steel AISI 304 Code	
M16	100	58	13	98 / 7584	98 / 7585	15000 (zinc plated) S = 3,5
	161	119	13	98 / 7918	98 / 7919	
	187	145	13	98 / 7586	98 / 7587	
	243	201	13	98 / 7588	98 / 7589	
M18	199	157	15	98 / 82140	98 / 82141	
	152	107	17	98 / 7590	98 / 7591	
	180	135	17	98 / 7592	98 / 7593	
M20	202	157	17	98 / 7594	98 / 7595	
	235	190	17	98 / 83238	98 / 83239	
	283	238	17	98 / 83240	98 / 83241	
	138	90	19	98 / 7596	98 / 7597	
M24	175	127	19	98 / 7598	98 / 7599	
	210	162	19	98 / 7600	98 / 7601	
	250	202	19	98 / 83242	98 / 83243	
M30	173	125	24	98 / 7602	98 / 7603	10000 (AISI 304) S = 3
	233	185	24	98 / 7604	98 / 7605	

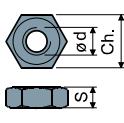
Box quantity: 8 pieces.

Washers UNI 6592-69 - Box quantity: 24 pieces.



∅ M	M16	M20	M24	M30
Smm	3	3	4	4
∅ A mm	30	37	44	56
Zinc plated steel codes	7289	7290	7293	7295
Stainless steel codes	7291	7292	7294	7296

Nuts UNI 5588-65 - Box quantity: 24 pieces.



∅ d	M16	M20	M24	M30
Smm	13	16	19	24
Ch. mm	24	30	36	46
Zinc plated steel codes	7275	7276	7279	7281
Stainless steel codes	7277	7278	7280	7282

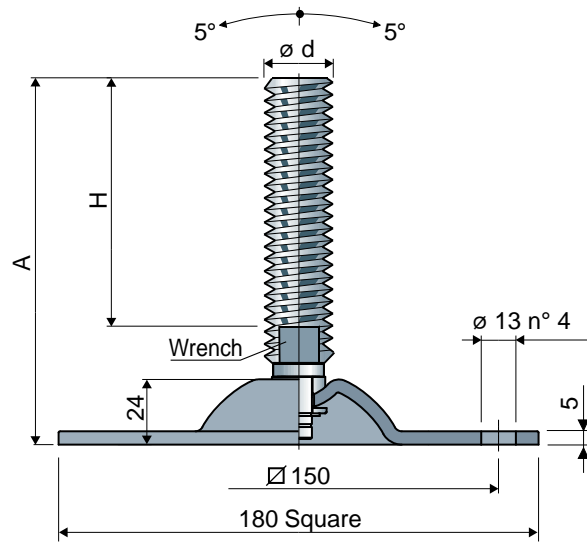
On request

- Spindles with: Sunk hexagon head • second wrench seat head • hexagon wrench seat • threads with other pitches and lengths • stainless steel AISI 316.
- Box quantity: Not standard.
- Assembling of: Nuts • washers.

Adjustable feet

(base in zinc plated steel)

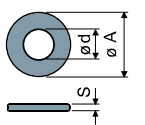
Part. **94** \square **180**



Spindle measures in mm				Spindle and base in zinc plated steel		Max static load (N)
$\varnothing d$	A	H	Wrench	Code		
M16	100	57	13	94 / 82968	45000	
	161	118	13	94 / 82970		
	187	144	13	94 / 82972		
	243	200	13	94 / 82974		
M18	199	157	15	94 / 82976	46000	
	152	107	17	94 / 82978		
	181	136	17	94 / 82980		
M20	202	157	17	94 / 82982	47000	
	235	190	17	94 / 82984		
	283	238	17	94 / 83262		
	138	90	19	94 / 82986		
M24	175	127	19	94 / 82988	48000	
	210	162	19	94 / 82990		
	250	202	19	94 / 83264		
M30	173	125	24	94 / 82992	49000	
	233	185	24	94 / 82994		

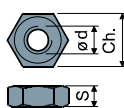
Box quantity: 8 pieces.

Washers UNI 6592-69 - Box quantity: 24 pieces.



$\varnothing M$	M16	M20	M24	M30
Smm	3	3	4	4
$\varnothing A$ mm	30	37	44	56
Zinc plated steel codes	7289	7290	7293	7295

Nuts UNI 5588-65 - Box quantity: 24 pieces.



$\varnothing d$	M16	M20	M24	M30
Smm	13	16	19	24
Ch. mm	24	30	36	46
Zinc plated steel codes	7275	7276	7279	7281

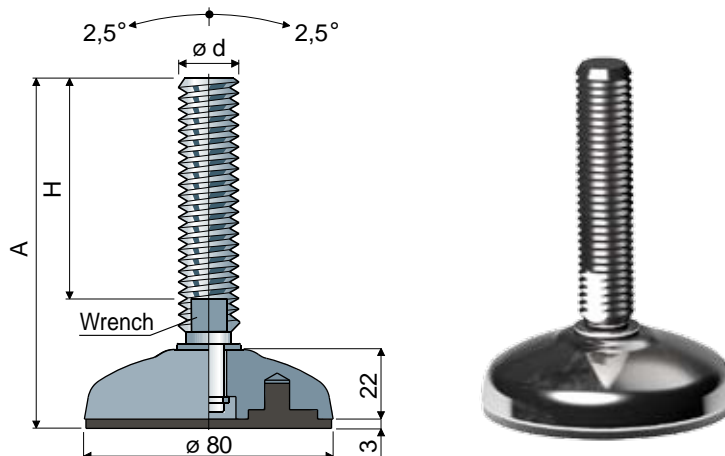
On request

- Spindles with: Sunk hexagon head • second wrench seat head • hexagon wrench seat • threads with other pitches and lengths.
- Box quantity: Not standard.
- Assembling of: Nuts • washers.

Adjustable feet

(base in nickel plated steel)

Ø 80 Part. 95



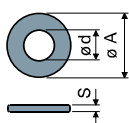
Spindle measures in mm			Spindle material				Max static load (N)
ø d	A	H	Wrench	Zinc plated steel Code	Stainless steel AISI 304 Code		
M16	101	58	13	95 / 7532	95 / 7533	46000	
	162	119	13	95 / 7910	95 / 7911		
	188	145	13	95 / 7534	95 / 7535		
	244	201	13	95 / 7536	95 / 7537		
M18	200	157	15	95 / 82144	95 / 82145	47000	
	153	107	17	95 / 7538	95 / 7539		
	181	135	17	95 / 7540	95 / 7541		
	203	157	17	95 / 7542	95 / 7543		
M20	236	190	17	95 / 83244	95 / 83245	48000	
	284	238	17	95 / 83246	95 / 83247		
	139	90	19	95 / 7544	95 / 7545		
	176	127	19	95 / 7546	95 / 7547		
M24	211	162	19	95 / 7548	95 / 7549	48000	
	250	202	19	95 / 83248	95 / 83249		

Base material: Nickel plated steel.

Box quantity: 8 pieces.

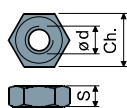
Features: The feet are complete with anti-slip pad made out of thermoplastic rubber 68 Shore black colour.

Washers UNI 6592-69 - Box quantity: 24 pieces.



ø M	M16	M20	M24
Smm	3	3	4
ø A mm	30	37	44
Zinc plated steel codes	7289	7290	7293
Stainless steel codes	7291	7292	7294

Nuts UNI 5588-65 - Box quantity: 24 pieces.



ø d	M16	M20	M24
Smm	13	16	19
Ch. mm	24	30	36
Zinc plated steel codes	7275	7276	7279
Stainless steel codes	7277	7278	7280

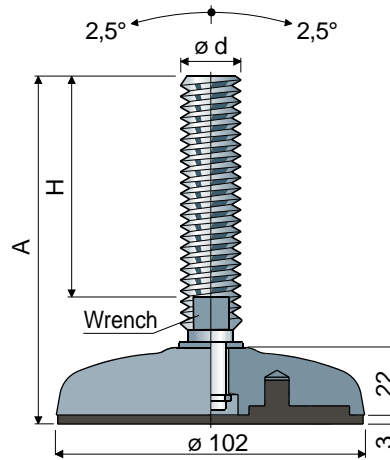
On request

- Spindles with: Sunk hexagon head • second wrench seat head • hexagon wrench seat • threads with other pitches and lengths • stainless steel AISI 316.
- Box quantity: Not standard.
- Assembling of: Nuts • washers.

Adjustable feet

(base in nickel plated steel)

Part. **97** Ø **102**



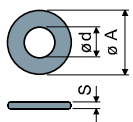
Spindle measures in mm				Spindle material		Max static load (N)
$\varnothing d$	A	H	Wrench	Zinc plated steel Code	Stainless steel AISI 304 Code	
M16	101	58	13	97 / 7550	97 / 7551	50000
	162	119	13	97 / 7912	97 / 7913	
	188	145	13	97 / 7182	97 / 7183	
	244	201	13	97 / 7184	97 / 7185	
M18	200	157	15	97 / 82146	97 / 82147	51000
	153	107	17	97 / 7186	97 / 7187	
	181	135	17	97 / 7552	97 / 7553	
	203	157	17	97 / 7188	97 / 7189	
M20	236	190	17	97 / 83250	97 / 83251	52000
	284	238	17	97 / 83252	97 / 83253	
	139	90	19	97 / 7190	97 / 7191	
	176	127	19	97 / 7554	97 / 7555	
M24	211	162	19	97 / 7192	97 / 7193	52000
	250	202	19	97 / 83254	97 / 83255	

Base material: Nickel plated steel.

Box quantity: 8 pieces.

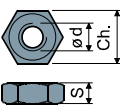
Features: The feet are complete with anti-slip pad made out of thermoplastic rubber 68 Shore black colour .

Washers UNI 6592-69 - Box quantity: 24 pieces.



$\varnothing M$	M16	M20	M24
Smm	3	3	4
$\varnothing A$ mm	30	37	44
Zinc plated steel codes	7289	7290	7293
Stainless steel codes	7291	7292	7294

Nuts UNI 5588-65 - Box quantity: 24 pieces.



$\varnothing d$	M16	M20	M24
Smm	13	16	19
Ch. mm	24	30	36
Zinc plated steel codes	7275	7276	7279
Stainless steel codes	7277	7278	7280

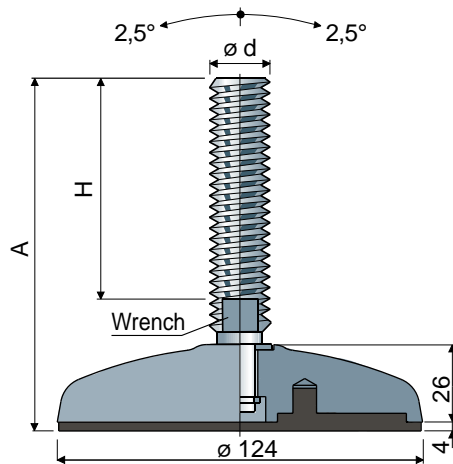
On request

- Spindles with: Sunk hexagon head • second wrench seat head • hexagon wrench seat • threads with other pitches and lengths • stainless steel AISI 316.
- Box quantity: Not standard.
- Assembling of: Nuts • washers.

Adjustable feet

(base in nickel plated steel)

Ø 124 Part. 99



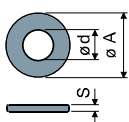
Spindle measures in mm			Spindle material				Max static load (N)
ø d	A	H	Wrench	Zinc plated steel Code	Stainless steel AISI 304 Code		
M16	104	58	13	99 / 7556	99 / 7557	55000	
	165	119	13	99 / 7914	99 / 7915		
	191	145	13	99 / 7194	99 / 7195		
	247	201	13	99 / 7196	99 / 7197		
M18	203	157	15	99 / 82148	99 / 82149	56000	
	156	107	17	99 / 7198	99 / 7199		
	184	135	17	99 / 7558	99 / 7559		
M20	206	157	17	99 / 7200	99 / 7201	57000	
	239	190	17	99 / 83256	99 / 83257		
	287	238	17	99 / 83258	99 / 83259		
	142	90	19	99 / 7202	99 / 7203		
M24	179	127	19	99 / 7560	99 / 7561	58000	
	214	162	19	99 / 7204	99 / 7205		
	254	202	19	99 / 83260	99 / 83261		
M30	177	125	24	99 / 7206	99 / 7207	58000	
	237	185	24	99 / 7208	99 / 7209		

Base material: Nickel plated steel.

Box quantity: 8 pieces.

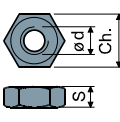
Features: The feet are complete with anti-slip pad made out of thermoplastic rubber 68 Shore black colour .

Washers UNI 6592-69 - Box quantity: 24 pieces.



ø M	M16	M20	M24	M30
Smm	3	3	4	4
ø A mm	30	37	44	56
Zinc plated steel codes	7289	7290	7293	7295
Stainless steel codes	7291	7292	7294	7296

Nuts UNI 5588-65 - Box quantity: 24 pieces.



ø d	M16	M20	M24	M30
Smm	13	16	19	24
Ch. mm	24	30	36	46
Zinc plated steel codes	7275	7276	7279	7281
Stainless steel codes	7277	7278	7280	7282

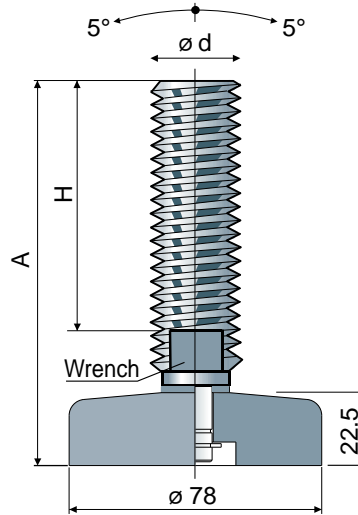
On request

- Spindles with: Sunk hexagon head • second wrench seat head • hexagon wrench seat • threads with other pitches and lengths • stainless steel AISI 316.
- Box quantity: Not standard.
- Assembling of: Nuts • washers.

Adjustable feet, sanitizable

(Stainless steel base for important loads)

Part. **115** \varnothing **78**

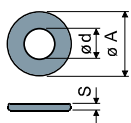


Spindle measures in mm				Spindle and base in stainless steel AISI 304		Max static load (N)
$\varnothing d$	A	H	Wrench	Code		
M16	99	58	13	115 / 83958	52000	
	186	145	13	115 / 83960		
	241	200	13	115 / 83961		
M20	148	107	17	115 / 83962		
	177	136	17	115 / 83963		
	198	157	17	115 / 83964		
	231	190	17	115 / 83965		
	279	238	17	115 / 83966		
M24	136	90	19	115 / 83967		
	173	127	19	115 / 83968		
	208	162	19	115 / 83969		
	248	202	19	115 / 83970		
M30	171	125	24	115 / 83971		
	231	185	24	115 / 83831		

Material: Spindle and base in stainless steel AISI 304.

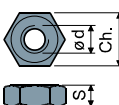
Box quantity: 8 pieces.

Washers UNI 6592-69 - Box quantity: 24 pieces.



\varnothing M	M16	M20	M24	M30
Smm	3	3	4	4
\varnothing Amm	30	37	44	56
Stainless steel codes	7291	7292	7294	7296

Nuts UNI 5588-65 - Box quantity: 24 pieces.



$\varnothing d$	M16	M20	M24	M30
Smm	13	16	19	24
Ch. mm	24	30	36	46
Stainless steel codes	7277	7278	7280	7282

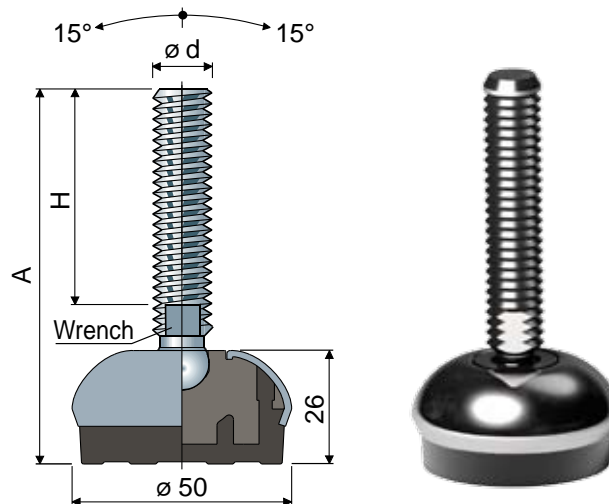
On request

- Spindles with: Sunk hexagon head • second wrench seat head • hexagon wrench seat • threads with other pitches and lengths • stainless steel AISI 316.
- Box quantity: Not standard.
- Assembling of: Nuts • washers.

Articulated feet, sanitizable

(base in stainless steel)

Ø 50 Part. **113**



Spindle measures in mm				Spindle and base in stainless steel AISI 304		Max static load (N)
ød	A	H	Wrench	Code		
M8	80	45	6	113 / 83791	11000	
	100	65	6	113 / 83792		
	142	107	6	113 / 83793		
M10	71	35	8	113 / 83794	12000	
	107	70	8	113 / 83795		
	152	115	8	113 / 83796		
M12	82	43	10	113 / 83797	13000	
	102	63	10	113 / 83798		
	116	77	10	113 / 83799		
	132	93	10	113 / 83822		
	162	123	10	113 / 83823		
M14	102	61	12	113 / 83824	14000	
	132	91	12	113 / 83825		
	157	116	12	113 / 83826		
M16	103	60	13	113 / 83784	15000	
	133	90	13	113 / 83785		
	148	105	13	113 / 83786		
	168	125	13	113 / 83787		
	198	155	13	113 / 83788		
	208	165	13	113 / 83789		
	248	205	13	113 / 83790		

Spindle measures in inches				Spindle and base in stainless steel AISI 304		Max static load (N)
ød	A	H	Wrench	Code		
1/2" -13 UNC	5,19"	4"	7/16"	113 / 83827	13000	
5/8" -11 UNC	8,70"	7"	1/2"	113 / 83800	15000	
3/4" -10 UNC	8,78"	7"	5/8"	113 / 83801	19000	

Material: Internal part made of reinforced polyamide; external covering made of stainless steel AISI 304; anti-slip pad made of thermoplastic rubber 68 Shore black colour.

Box quantity: 8 pieces.

Features: Comoulded anti-slip pad allows a perfect adherence with steel base. Consequent absence of internal cavities makes foot extremely cleanable.

Washers UNI 6592-69 - Box quantity: 24 pieces.

ø M	M8	M10	M12	M14	M16
Smm	1,6	2	2,5	2,5	3
ø A mm	17	21	24	28	30
Stainless steel codes	7637	7286	7287	7288	7291

Nuts UNI 5588-65 - Box quantity: 24 pieces.

ø d	M8	M10	M12	M14	M16
Smm	6,5	8	10	11	13
Ch. mm	13	17	19	22	24
Stainless steel codes	7635	7272	7273	7274	7277

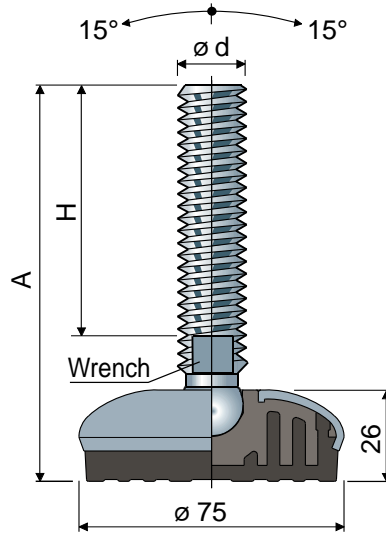
On request

- Spindles with: Sunk hexagon head • second wrench seat head • hexagon wrench seat • threads with other pitches and lengths • stainless steel AISI 316.
- Anti-slip pads: White color.
- Box quantity: Not standard.
- Assembling of: Nuts • washers.

Articulated feet, sanitizable

(base in stainless steel)

Part. **107** \varnothing **75**



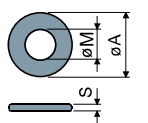
Spindle measures in mm				Spindle and base in stainless steel AISI 304		Max static load (N)
$\varnothing d$	A	H	Wrench	Code		
M16	103	60	13	107 / 83524	19000	
	133	90	13	107 / 83525		
	148	105	13	107 / 83526		
	168	125	13	107 / 83527		
	198	155	13	107 / 83528		
	208	165	13	107 / 83529		
	248	205	13	107 / 83530		
M20	132	86	17	107 / 83531	21000	
	162	116	17	107 / 83532		
	187	141	17	107 / 83533		
	252	206	17	107 / 83534		
M24	142	96	19	107 / 83535	23000	
	168	122	19	107 / 83536		
	198	152	19	107 / 83537		
	228	182	19	107 / 83538		
	346	300	19	107 / 83539		

Spindle measures in inches				Spindle and base in stainless steel AISI 304		Max static load (N)
$\varnothing d$	A	H	Wrench	Code		
5/8" -11 UNC	8,70"	7"	1/2"	107 / 83592	19000	
3/4" -10 UNC	8,78"	7"	5/8"	107 / 83593	21000	

Material: Internal part made of reinforced polyamide; external covering made of stainless steel AISI 304; anti-slip pad made of thermoplastic rubber 68 Shore black colour.
Box quantity: 8 pieces.

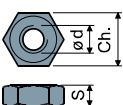
Features: Comoulded anti-slip pad allows a perfect adherence with steel base. Consequent absence of internal cavities makes foot extremely cleanable.

Washers UNI 6592-69 - Box quantity: 24 pieces.



$\varnothing M$	M16	M20	M24
Smm	3	3	4
$\varnothing A$ mm	30	37	44
Stainless steel codes	7291	7292	7294

Nuts UNI 5588-65 - Box quantity: 24 pieces.



$\varnothing d$	M16	M20	M24
Smm	13	16	19
Ch. mm	24	30	36
Stainless steel codes	7277	7278	7280

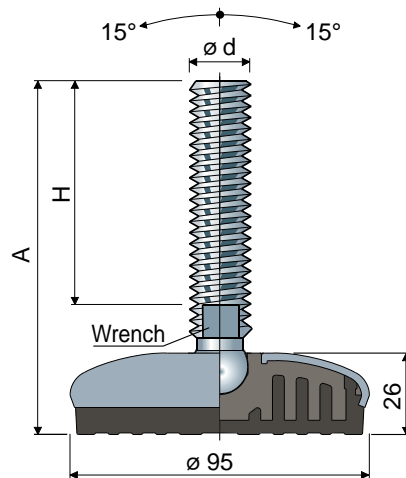
On request

- Spindles with: Sunk hexagon head • second wrench seat head • hexagon wrench seat • threads with other pitches and lengths • stainless steel AISI 316.
- Anti-slip pads: White color.
- Box quantity: Not standard.
- Assembling of: Nuts • washers.

Articulated feet, sanitizable

(base in stainless steel)

Ø 95 Part. 101



Spindle measures in mm				Spindle and base in stainless steel AISI 304	Max static load (N)
ød	A	H	Wrench		
M16	103	60	13	101 / 83073	22000
	133	90	13	101 / 83074	
	148	105	13	101 / 83075	
	168	125	13	101 / 83076	
	198	155	13	101 / 83077	
	208	165	13	101 / 83078	
M20	248	205	13	101 / 83263	24000
	132	86	17	101 / 83079	
	162	116	17	101 / 83209	
	187	141	17	101 / 83081	
M24	252	206	17	101 / 83082	26000
	142	96	19	101 / 83083	
	168	122	19	101 / 83084	
	198	152	19	101 / 83085	
	228	182	19	101 / 83086	
	346	300	19	101 / 83087	

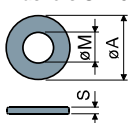
Spindle measures in inches				Spindle and base in stainless steel AISI 304	Max static load (N)
ød	A	H	Wrench		
5/8" -11 UNC	8,70"	7"	1/2"	101 / 83145	22000
3/4" -10 UNC	8,78"	7"	5/8"	101 / 83155	24000

Material: Internal part made of reinforced polyamide; external covering made of stainless steel AISI 304; anti-slip pad made of thermoplastic rubber 68 Shore black colour.

Box quantity: 8 pieces.

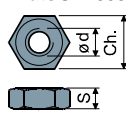
Features: Comoulded anti-slip pad allows a perfect adherence with steel base. Consequent absence of internal cavities makes foot extremely cleanable.

Washers UNI 6592-69 - Box quantity: 24 pieces.



ø M	M16	M20	M24
Smm	3	3	4
ø Amm	30	37	44
Stainless steel codes	7291	7292	7294

Nuts UNI 5588-65 - Box quantity: 24 pieces.



ø d	M16	M20	M24
Smm	13	16	19
Ch. mm	24	30	36
Stainless steel codes	7277	7278	7280

On request

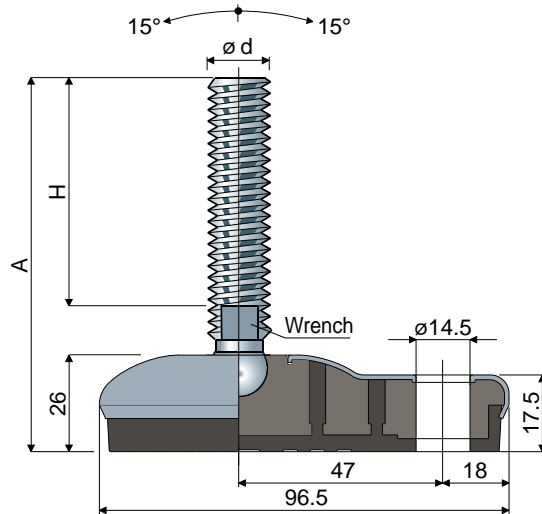
- Spindles with: Sunk hexagon head • second wrench seat head • hexagon wrench seat • threads with other pitches and lengths • stainless steel AISI 316.
- Anti-slip pads: White color.
- Box quantity: Not standard.
- Assembling of: Nuts • washers.

Articulated feet, sanitizable with side fixing system

(base in stainless steel)

Part. **120 65x96**

NEW



Spindle measures in mm				Wrench	Spindle and base in stainless steel AISI 304 Code	Max static load (N)
$\varnothing d$	A	H				
M8	80	45	6	120 / 84837	13000	
	100	65	6	120 / 84838		
	142	107	6	120 / 84839		
M10	71	35	8	120 / 84840	14000	
	107	70	8	120 / 84841		
	152	115	8	120 / 84842		
M12	82	43	10	120 / 84843	15000	
	102	63	10	120 / 84844		
	116	77	10	120 / 84845		
	132	93	10	120 / 84846		
	162	123	10	120 / 84847		
M14	102	61	12	120 / 84848	16000	
	132	91	12	120 / 84849		
	157	116	12	120 / 84850		
M16	103	60	13	120 / 84851	17000	
	133	90	13	120 / 84852		
	148	105	13	120 / 84853		
	168	125	13	120 / 84854		
	198	155	13	120 / 84855		
	208	165	13	120 / 84856		
	248	205	13	120 / 84857		

Spindle measures in inches				Wrench	Spindle and base in stainless steel AISI 304 Code	Max static load (N)
$\varnothing d$	A	H				
1/2"-13 UNC	5,20"	3,64"	7/16"	120 / 84862	22000	
5/8"-11 UNC	8,7"	7"	1/2"	120 / 84863	22000	
3/4"-10 UNC	8,77"	7"	5/8"	120 / 84864	24000	

Material: Internal part made of reinforced polyamide; external covering made of stainless steel AISI 304; anti-slip pad made of thermoplastic rubber 68 Shore black color.

Box quantity: 8 pieces.

Features: Comoulded anti-slip pad allows a perfect adherence with steel base. Consequent absence of internal cavities makes foot extremely cleanable.

Washers UNI 6592-69 - Box quantity: 24 pieces.

$\varnothing M$	M8	M10	M12	M14	M16	M20
Smm	1,6	2	2,5	2,5	3	3
$\varnothing A$ mm	17	21	24	28	30	37
Zinc plated steel codes	7636	7283	7284	7285	7289	7290
Stainless steel codes	7637	7286	7287	7288	7291	7292

Nuts UNI 5588-65 - Box quantity: 24 pieces.

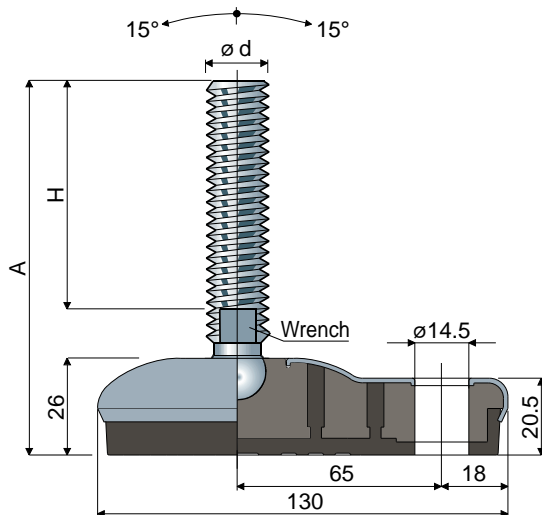
$\varnothing d$	M8	M10	M12	M14	M16	M20
Smm	6,5	8	10	11	13	16
Ch. mm	13	17	19	22	24	30
Zinc plated steel codes	7634	7269	7270	7271	7275	7276
Stainless steel codes	7635	7272	7273	7274	7277	7278

On request

- Spindles with: Sunk hexagon head • second wrench seat head • hexagon wrench seat • threads with other pitches and lengths • stainless steel AISI 316.
- Anti-slip pads: White color.
- Box quantity: Not standard.
- Assembling of: Nuts • washers.

Articulated feet, sanitizable with side fixing system

(base in stainless steel)



95x130 Part. **111**



Spindle measures in mm					
$\varnothing d$	A	H	Wrench	Spindle and base in stainless steel AISI 304 Code	Max static load (N)
M16	105	60	13	111 / 83762	22000
	135	90	13	111 / 83763	
	150	105	13	111 / 83764	
	170	125	13	111 / 83765	
	200	155	13	111 / 83766	
	210	165	13	111 / 83767	
M20	250	205	13	111 / 83768	24000
	134	86	17	111 / 83769	
	164	116	17	111 / 83770	
	189	141	17	111 / 83771	
M24	254	206	17	111 / 83772	26000
	143	96	19	111 / 83773	
	169	122	19	111 / 83774	
	199	152	19	111 / 83775	
	229	182	19	111 / 83776	
	347	300	19	111 / 83777	

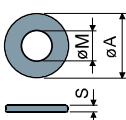
Spindle measures in inches					
$\varnothing d$	A	H	Wrench	Spindle and base in stainless steel AISI 304 Code	Max static load (N)
5/8"-11 UNC	8,76"	7"	1/2"	111 / 83778	22000
3/4"-10 UNC	8,84"	7"	5/8"	111 / 83779	24000

Material: Internal part made of reinforced polyamide; external covering made of stainless steel AISI 304; anti-slip pad made of thermoplastic rubber 68 Shore black colour.

Box quantity: 8 pieces.

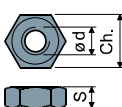
Features: Comoulded anti-slip pad allows a perfect adherence with steel base. Consequent absence of internal cavities makes foot extremely cleanable.

Washers UNI 6592-69 - Box quantity: 24 pieces.



$\varnothing M$	M16	M20	M24
Smm	3	3	4
$\varnothing A$ mm	30	37	44
Stainless steel codes	7291	7292	7294

Nuts UNI 5588-65 - Box quantity: 24 pieces.



$\varnothing d$	M16	M20	M24
Smm	13	16	19
Ch. mm	24	30	36
Stainless steel codes	7277	7278	7280

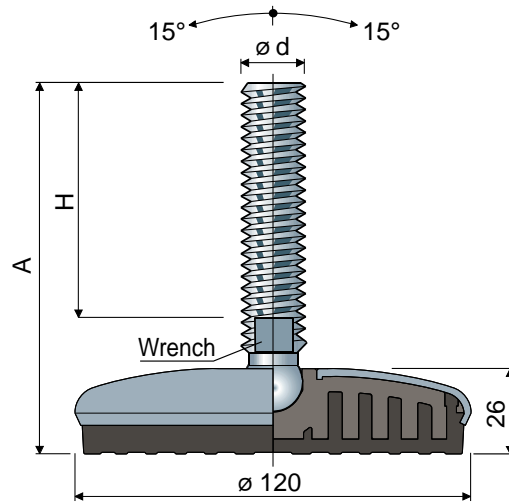
On request

- Spindles with: Sunk hexagon head • second wrench seat head • hexagon wrench seat • threads with other pitches and lengths • stainless steel AISI 316.
- Anti-slip pads: White color.
- Box quantity: Not standard.
- Assembling of: Nuts • washers.

Articulated feet, sanitizable

(base in stainless steel)

Part. **109** \varnothing **120**



Spindle measures in mm				Wrench	Spindle and base in stainless steel AISI 304	
$\varnothing d$	A	H	Code		Max static load (N)	
M16	103	60	13	109 / 83558	25000	
	133	90	13	109 / 83559		
	148	105	13	109 / 83560		
	168	125	13	109 / 83561		
	198	155	13	109 / 83562		
	208	165	13	109 / 83563		
M20	248	205	13	109 / 83564	27000	
	132	86	17	109 / 83565		
	162	116	17	109 / 83566		
	187	141	17	109 / 83567		
M24	252	206	17	109 / 83568	29000	
	142	96	19	109 / 83569		
	168	122	19	109 / 83570		
	198	152	19	109 / 83571		
	228	182	19	109 / 83572		
	346	300	19	109 / 83573		

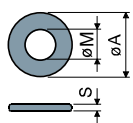
Spindle measures in inches				Wrench	Spindle and base in stainless steel AISI 304	
$\varnothing d$	A	H	Code		Max static load (N)	
5/8" -11 UNC	8,70"	7"	1/2"	109 / 83594	25000	
3/4" -10 UNC	8,78"	7"	5/8"	109 / 83595	27000	

Material: Internal part made of reinforced polyamide; external covering made of stainless steel AISI 304; anti-slip pad made of thermoplastic rubber 68 Shore black colour.

Box quantity: 8 pieces.

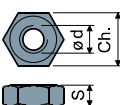
Features: Comoulded anti-slip pad allows a perfect adherence with steel base. Consequent absence of internal cavities makes foot extremely cleanable.

Washers UNI 6592-69 - Box quantity: 24 pieces.



$\varnothing M$	M16	M20	M24
Smm	3	3	4
$\varnothing A$ mm	30	37	44
Stainless steel codes	7291	7292	7294

Nuts UNI 5588-65 - Box quantity: 24 pieces.



$\varnothing d$	M16	M20	M24
Smm	13	16	19
Ch. mm	24	30	36
Stainless steel codes	7277	7278	7280

On request

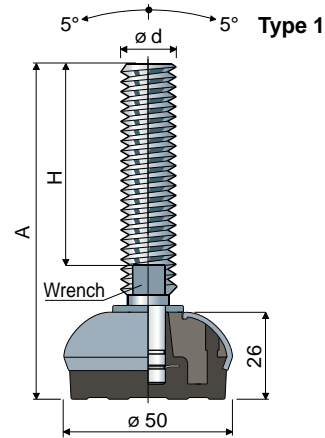
- Spindles with: Sunk hexagon head • second wrench seat head • hexagon wrench seat • threads with other pitches and lengths • stainless steel AISI 316.
- Anti-slip pads: White color.
- Box quantity: Not standard.
- Assembling of: Nuts • washers.

Adjustable feet, sanitizable

(base in stainless steel)

Ø 50 Part. **114**

Type 1						
Spindle measures in mm				Spindle and base in stainless steel AISI 304 Code	Max static load (N)	
ød	A	H	Wrench			
M12	110	70	10	114 / 83802	15000	
M14	148	108	12	114 / 83803		
M16	102	58	13	114 / 83804	20000	
	163	119	13	114 / 83805		
	189	145	13	114 / 83806		
245	201	13	114 / 83807			
M18	201	156	15	114 / 83808		
M20	151	107	17	114 / 83809		
	179	135	17	114 / 83810		
	201	157	17	114 / 83811		
	234	190	17	114 / 83812		
M24	282	238	17	114 / 83813		
	139	90	13	114 / 83814		
	176	127	13	114 / 83815		
M24	211	162	13	114 / 83816		
	250	201	13	114 / 83817		
M30	174	125	13	114 / 83818		
	234	185	13	114 / 83819		

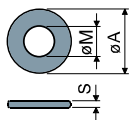


Material: Internal part made of reinforced polyamide; external covering made of stainless steel AISI 304; anti-slip pad made of thermoplastic rubber 68 Shore black colour.

Box quantity: 8 pieces.

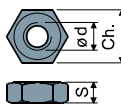
Features: Comoulded anti-slip pad allows a perfect adherence with steel base. Consequent absence of internal cavities makes foot extremely cleanable. The threaded insert guarantees the protection of the spindle thread.

Washers UNI 6592-69 - Box quantity: 24 pieces.



øM	M12	M14	M16	M20	M24	M30
Smm	2,5	2,5	3	3	4	4
øAmm	24	28	30	37	44	56
Stainless steel codes	7287	7288	7291	7292	7294	7296

Nuts UNI 5588-65 - Box quantity: 24 pieces.

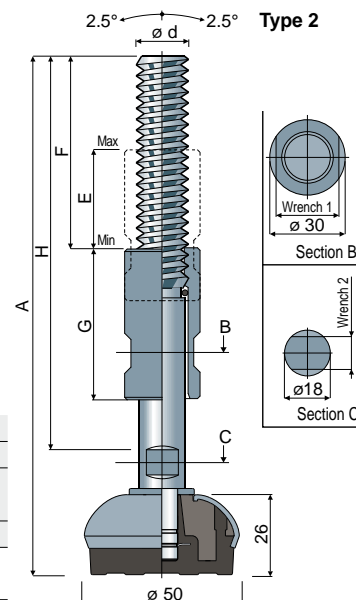


ø d	M12	M14	M16	M20	M24	M30
Smm	10	11	13	16	19	24
Ch. mm	19	22	24	30	36	46
Stainless steel codes	7273	7274	7277	7278	7280	7282

On request

- Spindles with: Sunk hexagon head • second wrench seat head • hexagon wrench seat • threads with other pitches and lengths • stainless steel AISI 316.
- Anti-slip pads: White color.
- Box quantity: Not standard.
- Assembling of: Nuts • washers.

Type 2									
Spindle measures in mm						Spindle and base in stainless steel AISI 304 Code	Max static load (N)		
ød	A	H	F	E	G				
M20	200	159	73	39	60	25	13	114 / 85164	20000
	260	220	100	78	100	25	13	114 / 85165	



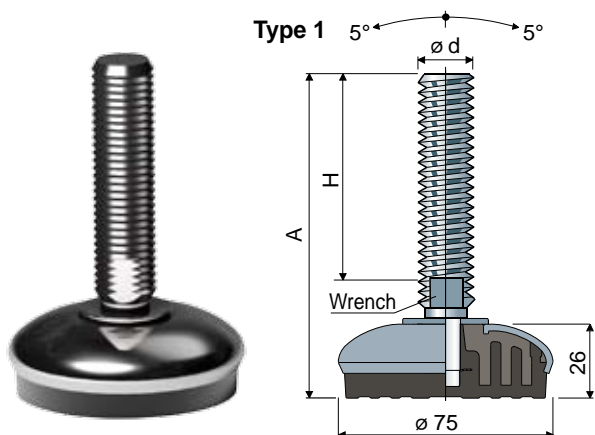
NEW



Adjustable feet, sanitizable

(base in stainless steel)

Part. **108** \varnothing **75**



Type 1					
Spindle measures in mm					
$\varnothing d$	A	H	Wrench	Spindle and base in stainless steel AISI 304 Code	Max static load (N)
M12	109	70	10	108 / 83540	17000
M14	148	108	12	108 / 83541	
M16	102	58	13	108 / 83542	24000
	163	119	13	108 / 83543	
	189	145	13	108 / 83544	
	245	201	13	108 / 83545	
M18	201	157	15	108 / 83546	
	153	107	17	108 / 83547	
	181	135	17	108 / 83548	
M20	203	157	17	108 / 83549	
	236	190	17	108 / 83550	
	284	238	17	108 / 83551	
	139	90	19	108 / 83552	
M24	176	127	19	108 / 83553	
	211	162	19	108 / 83554	
	250	201	19	108 / 83555	
M30	174	125	24	108 / 83556	
	234	185	24	108 / 83557	

Material: Internal part made of reinforced polyamide; external covering made of stainless steel AISI 304; anti-slip pad made of thermoplastic rubber 68 Shore black colour.
Box quantity: 8 pieces.

Features: Comoulded anti-slip pad allows a perfect adherence with steel base. Consequent absence of internal cavities makes foot extremely cleanable. The threaded insert guarantees the protection of the spindle thread.

Washers UNI 6592-69 - Box quantity: 24 pieces.

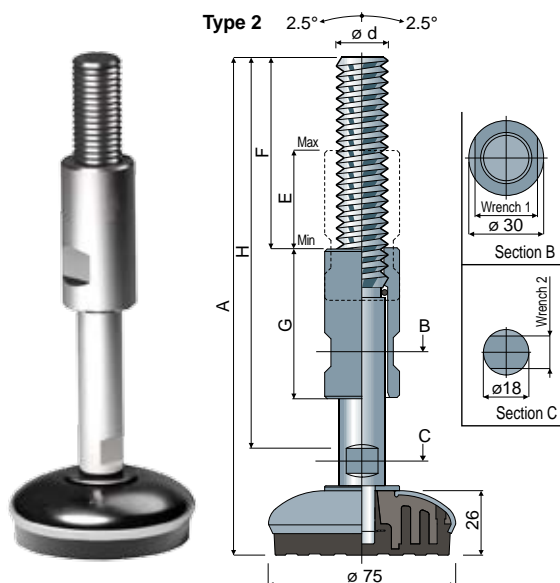
$\varnothing M$	M12	M14	M16	M20	M24	M30
Smm	2,5	2,5	3	3	4	4
$\varnothing A$ mm	24	28	30	37	44	56
Stainless steel codes	7287	7288	7291	7292	7294	7296

Nuts UNI 5588-65 - Box quantity: 24 pieces.

$\varnothing d$	M12	M14	M16	M20	M24	M30
Smm	10	11	13	16	19	24
Ch. mm	19	22	24	30	36	46
Stainless steel codes	7273	7274	7277	7278	7280	7282

On request

- Spindles with: Sunk hexagon head • second wrench seat head • hexagon wrench seat • threads with other pitches and lengths • stainless steel AISI 316.
- Anti-slip pads: White color.
- Box quantity: Not standard.
- Assembling of: Nuts • washers.



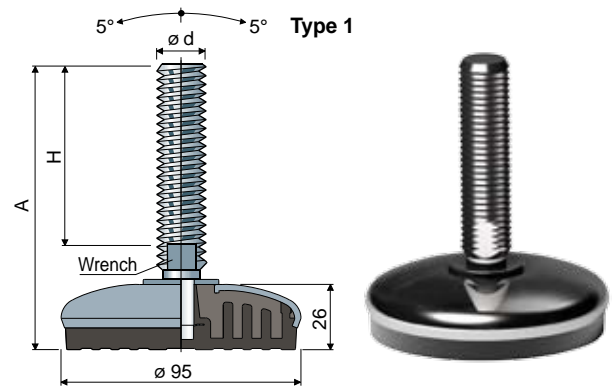
Type 2									
Spindle measures in mm									
$\varnothing d$	A	H	F	E	G	Wrench 1	Wrench 2	Spindle and base in stainless steel AISI 304 Code	Max static load (N)
M20	200	159	73	39	60	25	13	108 / 84134	24000
	260	220	100	78	100	25	13	108 / 84190	

Adjustable feet, sanitizable

(base in stainless steel)

Ø 95 Part. 103

Type 1					
Spindle measures in mm					
ød	A	H	Wrench	Spindle and base in stainless steel AISI 304 Code	Max static load (N)
M12	109	70	10	103 / 83043	17000
M14	148	108	12	103 / 83052	27000
	102	58	13	103 / 83053	
M16	163	119	13	103 / 83054	27000
	189	145	13	103 / 83055	
	245	201	13	103 / 83056	
M18	201	157	15	103 / 83057	27000
	153	107	17	103 / 83058	
M20	181	135	17	103 / 83059	27000
	203	157	17	103 / 83060	
	236	190	17	103 / 83061	
M24	284	238	17	103 / 83062	27000
	139	90	19	103 / 83063	
	176	127	19	103 / 83064	
M24	211	162	19	103 / 83065	27000
	250	201	19	103 / 83066	
M30	174	125	24	103 / 83067	27000
	234	185	24	103 / 83068	



Material: Internal part made of reinforced polyamide; external covering made of stainless steel AISI 304; anti-slip pad made of thermoplastic rubber 68 Shore black colour.

Box quantity: 8 pieces.

Features: Comoulded anti-slip pad allows a perfect adherence with steel base. Consequent absence of internal cavities makes foot extremely cleanable. The threaded insert guarantees the protection of the spindle thread.

Washers UNI 6592-69 - Box quantity: 24 pieces.

øM	øA	øM	øA
M12	24	M14	28
M16	30	M20	37
M24	44	M30	56
Stainless steel codes		7287	7288
		7291	7292
		7294	7296

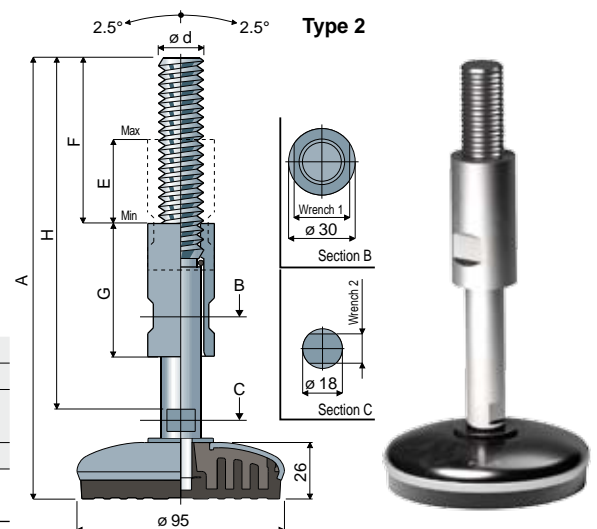
Nuts UNI 5588-65 - Box quantity: 24 pieces.

ø d	M12	M14	M16	M20	M24	M30
Smm	10	11	13	16	19	24
Ch. mm	19	22	24	30	36	46
Stainless steel codes		7273	7274	7277	7278	7280
		7282				

On request

- Spindles with: Sunk hexagon head • second wrench seat head • hexagon wrench seat • threads with other pitches and lengths • stainless steel AISI 316.
- Anti-slip pads: White color.
- Box quantity: Not standard.
- Assembling of: Nuts • washers.

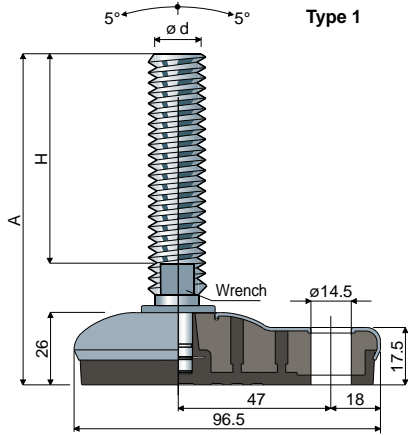
Type 2									
Spindle measures in mm									
ød	A	H	F	E	G	Wrench 1	Wrench 2	Spindle and base in stainless steel AISI 304 Code	Max static load (N)
M20	200	159	73	39	60	25	13	103 / 83465	27000
	260	220	100	78	100	25	13	103 / 84191	



Adjustable feet, sanitizable with side fixing system

(base in stainless steel)

Part. **119** **65x96**



Type 1

Type 1					
Spindle measures in mm					
ϕd	A	H	Wrench	Spindle and base in stainless steel AISI 304 Code	Max static load (N)
M12	110	70	10	119 / 84819	17000
M14	148	108	12	119 / 84820	
	102	58	13	119 / 84821	
M16	163	119	13	119 / 84822	
	189	145	13	119 / 84823	
	245	201	13	119 / 84824	
M18	201	157	15	119 / 84825	22000
	151	107	17	119 / 84826	
	179	135	17	119 / 84827	
M20	201	157	17	119 / 84828	
	234	190	17	119 / 84829	
	282	238	17	119 / 84830	

Material: Internal part made of reinforced polyamide; external covering made of stainless steel AISI 304; anti-slip pad made of thermoplastic rubber 68 Shore black colour.

Box quantity: 8 pieces.

Features: Comoulded anti-slip pad allows a perfect adherence with steel base. Consequent absence of internal cavities makes foot extremely cleanable. The threaded insert guarantees the protection of the spindle thread.

Washers UNI 6592-69 - Box quantity: 24 pieces.

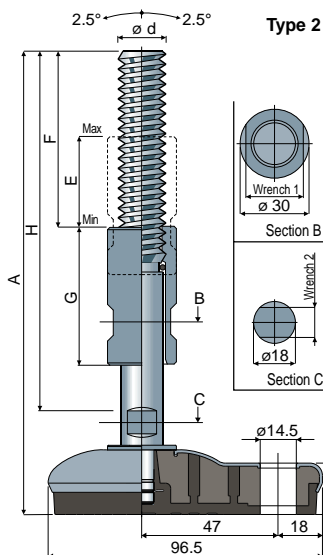
ϕM	M12	M14	M16	M20	M24	M30
Smm	2,5	2,5	3	3	4	4
ϕA mm	24	28	30	37	44	56
Stainless steel codes	7287	7288	7291	7292	7294	7296

Nuts UNI 5588-65 - Box quantity: 24 pieces.

ϕd	M12	M14	M16	M20	M24	M30
Smm	10	11	13	16	19	24
Ch. mm	19	22	24	30	36	46
Stainless steel codes	7273	7274	7277	7278	7280	7282

On request

- Spindles with: Sunk hexagon head • second wrench seat head • hexagon wrench seat • threads with other pitches and lengths • stainless steel AISI 316.
- Anti-slip pads: White color.
- Box quantity: Not standard.
- Assembling of: Nuts • washers.



Type 2

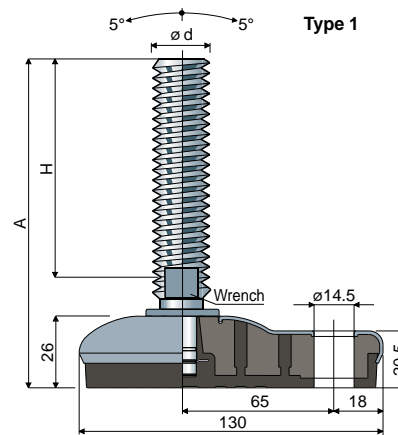
Type 2									
Spindle measures in mm									
ϕd	A	H	F	E	G	Wrench 1	Wrench 2	Spindle and base in stainless steel AISI 304 Code	Max static load (N)
M20	200	159	73	39	60	25	13	119 / 85088	22000
	260	220	100	78	100	25	13	119 / 85089	

Adjustable feet, sanitizable with side fixing system

(base in stainless steel)

95x130 Part. 112

Type 1						
Spindle measures in mm						
ød	A	H	Wrench	Spindle and base in stainless steel AISI 304 Code	Max static load (N)	
M12	111	70	10	112 / 83744	17000	
M14	150	108	12	112 / 83745		
M16	103	58	13	112 / 83746	27000	
	164	119	13	112 / 83747		
	190	145	13	112 / 83748		
	246	201	13	112 / 83749		
M18	203	157	15	112 / 83750	27000	
	154	107	17	112 / 83751		
	182	135	17	112 / 83752		
	204	157	17	112 / 83753		
M20	237	190	17	112 / 83754	27000	
	285	238	17	112 / 83755		
	141	90	19	112 / 83756		
	178	127	19	112 / 83757		
M24	213	162	19	112 / 83758	27000	
	252	201	19	112 / 83759		
	176	125	24	112 / 83760		
M30	236	185	24	112 / 83761	27000	

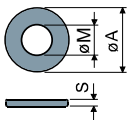


Material: Internal part made of reinforced polyamide; external covering made of stainless steel AISI 304; anti-slip pad made of thermoplastic rubber 68 Shore black colour.

Box quantity: 8 pieces.

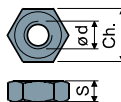
Features: Comoulded anti-slip pad allows a perfect adherence with steel base. Consequent absence of internal cavities makes foot extremely cleanable. The threaded insert guarantees the protection of the spindle thread.

Washers UNI 6592-69 - Box quantity: 24 pieces.



øM	M12	M14	M16	M20	M24	M30
Smm	2,5	2,5	3	3	4	4
øAmm	24	28	30	37	44	56
Stainless steel codes	7287	7288	7291	7292	7294	7296

Nuts UNI 5588-65 - Box quantity: 24 pieces.

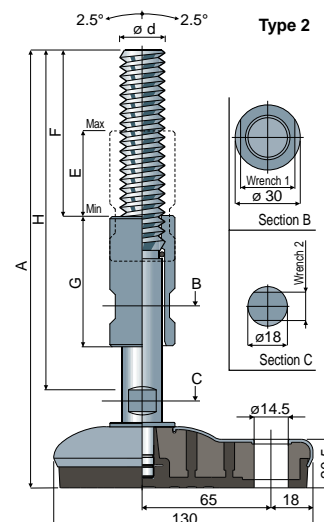


ø d	M12	M14	M16	M20	M24	M30
Smm	10	11	13	16	19	24
Ch. mm	19	22	24	30	36	46
Stainless steel codes	7273	7274	7277	7278	7280	7282

On request

- Spindles with: Sunk hexagon head • second wrench seat head • hexagon wrench seat • threads with other pitches and lengths • stainless steel AISI 316.
- Anti-slip pads: White color.
- Box quantity: Not standard.
- Assembling of: Nuts • washers.

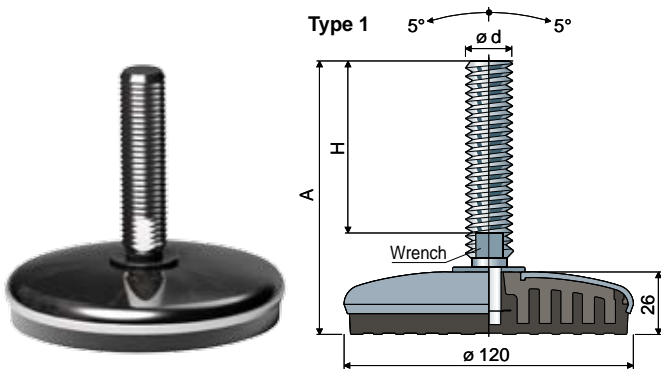
Type 2									
Spindle measures in mm									
ød	A	H	F	E	G	Wrench 1	Wrench 2	Spindle and base in stainless steel AISI 304 Code	Max static load (N)
M20	200	159	73	39	60	25	13	112 / 84135	27000
	260	220	100	78	100	25	13	112 / 84193	



Adjustable feet, sanitizable

(base in stainless steel)

Part. **110** \varnothing **120**



Type 1					
Spindle measures in mm					
$\varnothing d$	A	H	Wrench	Spindle and base in stainless steel AISI 304 Code	Max static load (N)
M12	109	70	10	110 / 83574	17000
M14	148	108	12	110 / 83575	
M16	102	58	13	110 / 83576	30000
	163	119	13	110 / 83577	
	189	145	13	110 / 83578	
	245	201	13	110 / 83579	
M18	201	157	15	110 / 83580	30000
	153	107	17	110 / 83581	
	181	135	17	110 / 83582	
M20	203	157	17	110 / 83583	30000
	236	190	17	110 / 83584	
	284	238	17	110 / 83585	
	139	90	19	110 / 83586	
M24	176	127	19	110 / 83587	30000
	211	162	19	110 / 83588	
	250	201	19	110 / 83589	
M30	174	125	24	110 / 83590	30000
	234	185	24	110 / 83591	

Material: Internal part made of reinforced polyamide; external covering made of stainless steel AISI 304; anti-slip pad made of thermoplastic rubber 68 Shore black colour.
Box quantity: 8 pieces.

Features: Comoulded anti-slip pad allows a perfect adherence with steel base. Consequent absence of internal cavities makes foot extremely cleanable. The threaded insert guarantees the protection of the spindle thread.

Washers UNI 6592-69 - Box quantity: 24 pieces.

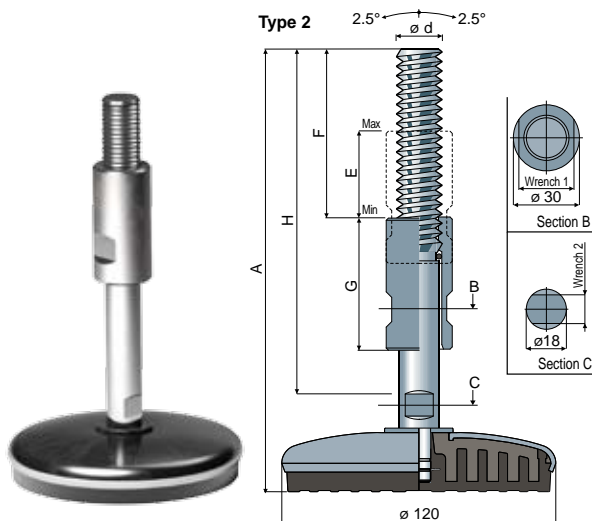
$\varnothing M$	M12	M14	M16	M20	M24	M30
Smm	2,5	2,5	3	3	4	4
$\varnothing A$ mm	24	28	30	37	44	56
Stainless steel codes	7287	7288	7291	7292	7294	7296

Nuts UNI 5588-65 - Box quantity: 24 pieces.

$\varnothing d$	M12	M14	M16	M20	M24	M30
Smm	10	11	13	16	19	24
Ch. mm	19	22	24	30	36	46
Stainless steel codes	7273	7274	7277	7278	7280	7282

On request

- Spindles with: Sunk hexagon head • second wrench seat head • hexagon wrench seat • threads with other pitches and lengths • stainless steel AISI 316.
- Anti-slip pads: White color.
- Box quantity: Not standard.
- Assembling of: Nuts • washers.

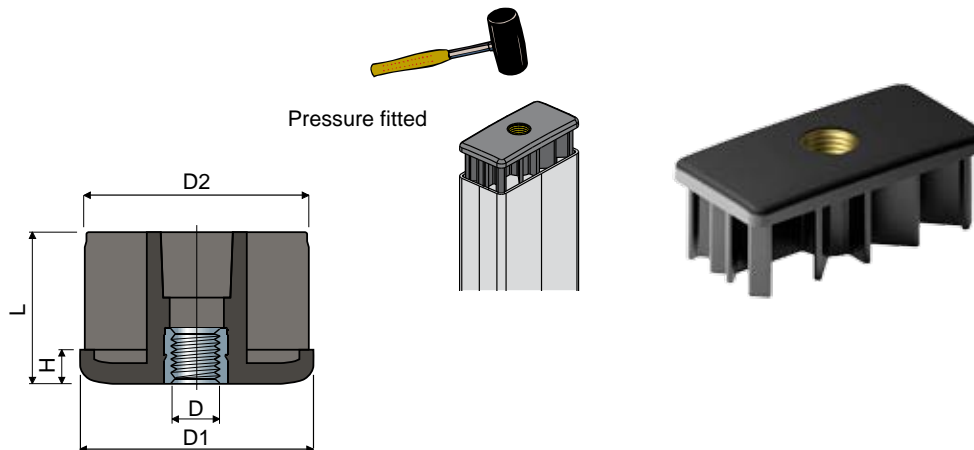


Type 2									
Spindle measures in mm									
$\varnothing d$	A	H	F	E	G	Wrench 1	Wrench 2	Spindle and base in stainless steel AISI 304 Code	Max static load (N)
M20	200	159	73	39	60	25	13	110 / 84136	30000
	260	220	100	78	100	25	13	110 / 84195	

Threaded bushings

(for rectangular tubes)

Part. **82**



Tube dimensions								Code	Max static load (N)
Outside (mm)	Thickness (mm)	Inside (mm)	Thread D	D1 (mm)	D2 (mm)	H (mm)	L (mm)		
20x50	2	16x46	M8	20x50	16x46	5	38	82 / 80325	4500
30x60	2,5	25x55	M8	30x60	25x55	8	38	82 / 82173	4500
			M10	30x60	25x55	8	38	82 / 82175	5000
			M12	30x60	25x55	8	38	82 / 82176	5500
			M14	30x60	25x55	8	38	82 / 82177	6000
40x60	2	36x56	M16	30x60	25x55	8	38	82 / 82174	6500
			M14	40x60	36x56	10	45	82 / 85141	8500
			M16	40x60	36x56	10	45	82 / 84309	9000
40x80	2	36x76	M20	40x60	36x56	10	45	82 / 84311	9500
			M14	40x80	36x76	10	45	82 / 82180	8500
			M16	40x80	36x76	10	45	82 / 80326	9000
	3	34x74	M20	40x80	36x76	10	45	82 / 80327	9500
			M14	40x80	34x74	10	45	82 / 82590	8500
			M16	40x80	34x74	10	45	82 / 82516	9000
50x100	2	46x96	M20	40x80	34x74	10	45	82 / 82591	9500
			M14	50x100	46x96	10	45	82 / 82181	8500
			M16	50x100	46x96	10	45	82 / 80693	9000
	3	44x94	M20	50x100	46x96	10	45	82 / 80694	9500
			M14	50x100	44x94	10	45	82 / 82182	9000
			M16	50x100	44x94	10	45	82 / 82178	9500
50x150	3	44x144	M20	50x100	44x94	10	45	82 / 82179	10000
			M14	50x150	44x144	10	45	82 / 82183	9000
			M16	50x150	44x144	10	45	82 / 80211	9500
60x120	3	54x114	M20	50x150	44x144	10	45	82 / 80212	10000
			M14	60x120	54x114	10	45	82 / 82184	9000
			M16	60x120	54x114	10	45	82 / 80209	9500
			M20	60x120	54x114	10	45	82 / 80210	10000

Material: Bush in reinforced polyamide black colour; threaded insert in brass.

Box quantity: 24 pieces.

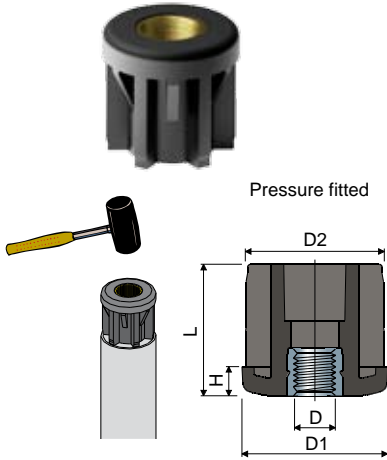
On request

- **Bushes:** Can be supplied with thread in inches (1/4"-20, 5/16"-18, 3/8"-16, 1/2"-13, 5/8"-11, 3/4"-10, 1"-8, ecc.); With different thicknesses and colours.
- **Threaded insert:** In nickel plated brass.
- **Box quantity:** According to your request.

Threaded bushings

(for round tubes)

Part. 64



		Tube dimensions							Code	Max static load (N)
Outside ø (mm)	(inches)	Thickness (mm)	Inside ø (mm)	Thread D	D1 (mm)	D2 (mm)	H (mm)	L (mm)		
20	-	2	16	M8	20	16	5	23	64 / 83916	4500
				M8	25	21	5	25	64 / 83917	4500
25	-	2	21	M10	25	21	6	26	64 / 83918	5000
				M12	25	21	6	26	64 / 85142	NEW 5500
				M8	30	28	6	31	64 / 7802	4500
				M10	30	28	6	31	64 / 7803	5000
-	-	1	28	M12	30	28	6	31	64 / 7804	5500
				M14	30	28	6	31	64 / 7805	6000
				M16	30	28	6	31	64 / 7806	6500
				M8	30	27	6	31	64 / 80857	4500
-	-	1,5	27	M10	30	27	6	31	64 / 80858	5000
				M12	30	27	6	31	64 / 80859	5500
				M14	30	27	6	31	64 / 80860	6000
				M16	30	27	6	31	64 / 80861	6500
30	-	2	26	M8	30	26	6	31	64 / 80862	4500
				M10	30	26	6	31	64 / 80863	5000
				M12	30	26	6	31	64 / 80864	5500
				M14	30	26	6	31	64 / 80865	6000
-	-	2,5	25	M16	30	26	6	31	64 / 80866	6500
				M8	30	25	6	31	64 / 80867	4500
				M10	30	25	6	31	64 / 80868	5000
				M12	30	25	6	31	64 / 80869	5500
-	-	-	-	M14	30	25	6	31	64 / 80870	6000
				M16	30	25	6	31	64 / 80871	6500
				M8	32	28	6	31	64 / 83919	4500
				M10	32	28	6	31	64 / 83920	5000
32	-	2	28	M12	32	28	6	31	64 / 85143	NEW 5500
				M8	35	31	6	31	64 / 85144	NEW 4500
35	-	2	31	M10	35	31	6	31	64 / 83921	5000
				M12	35	31	6	31	64 / 83922	5500
				M8	38	35	8	38	64 / 7882	4500
-	-	1,5	35	M10	38	35	8	38	64 / 7210	5000
				M12	38	35	8	38	64 / 7211	5500
				M14	38	35	8	38	64 / 7212	6000
				M16	38	35	8	38	64 / 7213	6500
38	-	2	34	M8	38	34	8	38	64 / 81015	4500
				M10	38	34	8	38	64 / 81016	5000
				M12	38	34	8	38	64 / 80873	5500
				M14	38	34	8	38	64 / 80874	6000
-	-	2,5	33	M16	38	34	8	38	64 / 80875	6500
				M8	38	34	8	38	64 / 82083	4500
				M10	38	34	8	38	64 / 80876	5000
				M12	38	34	8	38	64 / 80877	5500
-	-	-	-	M14	38	34	8	38	64 / 80878	6000
				M16	38	34	8	38	64 / 80879	6500
				M8	40	34	8	38	64 / 85145	NEW 4500
				M10	40	34	8	38	64 / 83923	5000
40	-	3	34	M12	40	34	8	38	64 / 83924	5500
				M8	42	36	8	38	64 / 85146	NEW 5000
42	-	3	36	M10	42	36	8	38	64 / 83934	5000
				M12	42	36	8	38	64 / 83911	5500
				M8	42,4	39,4	8	38	64 / 7883	6500
-	-	1,5	39,4	M10	42,4	39,4	8	38	64 / 7214	7000
				M12	42,4	39,4	8	38	64 / 7215	7500
				M14	42,4	39,4	8	38	64 / 7216	8000
				M16	42,4	39,4	8	38	64 / 7217	8500
				M20	42,4	39,4	8	38	64 / 7218	9000
				M8	42,4	38,4	8	38	64 / 81017	6500
42,4	11/4	2	38,4	M10	42,4	38,4	8	38	64 / 80880	7000
				M12	42,4	38,4	8	38	64 / 80881	7500
				M14	42,4	38,4	8	38	64 / 80882	8000
				M16	42,4	38,4	8	38	64 / 80883	8500
-	-	2,5	37,4	M20	42,4	38,4	8	38	64 / 80884	9000
				M8	42,4	37,4	8	38	64 / 82084	6500
				M10	42,4	37,4	8	38	64 / 80885	7000
				M12	42,4	37,4	8	38	64 / 80886	7500
				M14	42,4	37,4	8	38	64 / 80887	8000
				M16	42,4	37,4	8	38	64 / 80888	8500
45	-	3	39	M20	42,4	37,4	8	38	64 / 80889	9000
				M8	45	39	8	38	64 / 85147	NEW 6500
				M10	45	39	8	38	64 / 85148	NEW 7000
				M12	45	39	8	38	64 / 83925	7500
-	-	-	-	M14	45	39	8	38	64 / 85149	NEW 8000
				M16	45	39	8	38	64 / 83926	8500

Threaded bushings

(for round tubes)

Part. **64**

Tube dimensions		Thickness (mm)	Inside ø (mm)	Thread D	D1 (mm)	D2 (mm)	H (mm)	L (mm)	Code	Max static load (N)
Outside ø (mm)	(inches)									
48	-	3	42	M8	48	42	10	45	64 / 85150	NEW 7000
				M10	48	42	10	45	64 / 85151	NEW 7500
				M12	48	42	10	45	64 / 83912	8000
				M14	48	42	10	45	64 / 85152	NEW 8500
				M16	48	42	10	45	64 / 83913	9000
48,3	1 1/2	1,5	45,3	M8	48,3	45,3	10	45	64 / 7930	7000
				M10	48,3	45,3	10	45	64 / 7614	7500
				M12	48,3	45,3	10	45	64 / 7219	8000
				M14	48,3	45,3	10	45	64 / 7220	8500
				M16	48,3	45,3	10	45	64 / 7221	9000
		M20	48,3	45,3	10	45	64 / 7222	9500		
		2	44,3	M8	48,3	44,3	10	45	64 / 81018	7000
				M10	48,3	44,3	10	45	64 / 81019	7500
				M12	48,3	44,3	10	45	64 / 80890	8000
				M14	48,3	44,3	10	45	64 / 80891	8500
M16	48,3			44,3	10	45	64 / 80892	9000		
M20	48,3	44,3	10	45	64 / 80893	9500				
2,5	43,3	M8	48,3	43,3	10	45	64 / 81020	7000		
		M10	48,3	43,3	10	45	64 / 81021	7500		
		M12	48,3	43,3	10	45	64 / 80894	8000		
		M14	48,3	43,3	10	45	64 / 80895	8500		
		M16	48,3	43,3	10	45	64 / 80896	9000		
M20	48,3	43,3	10	45	64 / 80897	9500				
50	-	1,5	47	M8	50	47	10	45	64 / 81022	7000
				M10	50	47	10	45	64 / 81023	7500
				M12	50	47	10	45	64 / 81024	8000
				M14	50	47	10	45	64 / 81025	8500
				M16	50	47	10	45	64 / 81026	9000
		M20	50	47	10	45	64 / 80953	9500		
		3	44	M8	50	44	10	45	64 / 85153	NEW 7000
				M10	50	44	10	45	64 / 85154	NEW 7500
				M12	50	44	10	45	64 / 83914	8000
				M14	50	44	10	45	64 / 85155	NEW 8500
M16	50			44	10	45	64 / 83915	9000		
M20	50	44	10	45	64 / 85156	NEW 9500				
50,9	-	1,5	47,9	M8	50,9	47,9	10	45	64 / 81027	7000
				M10	50,9	47,9	10	45	64 / 81028	7500
				M12	50,9	47,9	10	45	64 / 80898	8000
				M14	50,9	47,9	10	45	64 / 80899	8500
				M16	50,9	47,9	10	45	64 / 80900	9000
		M20	50,9	47,9	10	45	64 / 80901	9500		
		2	46,9	M8	50,9	46,9	10	45	64 / 81029	7000
				M10	50,9	46,9	10	45	64 / 81030	7500
				M12	50,9	46,9	10	45	64 / 80902	8000
				M14	50,9	46,9	10	45	64 / 80903	8500
M16	50,9			46,9	10	45	64 / 80904	9000		
M20	50,9	46,9	10	45	64 / 80905	9500				
2,5	45,9	M8	50,9	45,9	10	45	64 / 82085	7000		
		M10	50,9	45,9	10	45	64 / 82086	7500		
		M12	50,9	45,9	10	45	64 / 80906	8000		
		M14	50,9	45,9	10	45	64 / 80907	8500		
		M16	50,9	45,9	10	45	64 / 80908	9000		
M20	50,9	45,9	10	45	64 / 80909	9500				
60,3	2	1,5	57,3	M8	60,3	57,3	12	52	64 / 7932	7000
				M10	60,3	57,3	12	52	64 / 7615	7500
				M12	60,3	57,3	12	52	64 / 7616	8000
				M14	60,3	57,3	12	52	64 / 7617	8500
				M16	60,3	57,3	12	52	64 / 7223	9000
		M20	60,3	57,3	12	52	64 / 7224	9500		
		M24	60,3	57,3	12	52	64 / 7225	10000		
		2	56,3	M8	60,3	56,3	12	52	64 / 7934	7000
				M10	60,3	56,3	12	52	64 / 7618	7500
				M12	60,3	56,3	12	52	64 / 7619	8000
M14	60,3			56,3	12	52	64 / 7620	8500		
M16	60,3			56,3	12	52	64 / 7226	9000		
M20	60,3	56,3	12	52	64 / 7227	9500				
M24	60,3	56,3	12	52	64 / 7228	10000				
2,5	55,3	M8	60,3	55,3	12	52	64 / 7935	7000		
		M10	60,3	55,3	12	52	64 / 7621	7500		
		M12	60,3	55,3	12	52	64 / 7622	8000		
		M14	60,3	55,3	12	52	64 / 7623	8500		
		M16	60,3	55,3	12	52	64 / 7229	9000		
M20	60,3	55,3	12	52	64 / 7230	9500				
M24	60,3	55,3	12	52	64 / 7231	10000				

Material: Bush in reinforced polyamide black colour; threaded insert in brass.

Box quantity: 24 pieces.

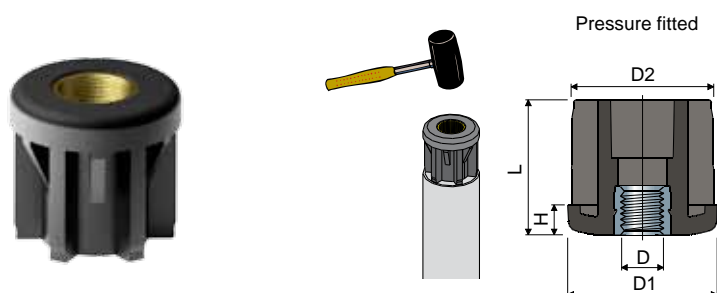
On request

- Bushes: With different thicknesses and colours.
- Threaded insert: In nickel plated brass.
- Box quantity: According to your request.

Threaded bushings

(for round tubes: sizes and threads in Inches)

Part. 64



Tube dimensions		Thickness		Inside ø (mm)	Thread D		D1 (mm)	D2 (mm)	H (mm)	L (mm)	Code	Max static load (N)
Outside ø (inches)	(mm)	(inches)	(mm)		(UNC)	(mm)						
1"	(25,4)	0,083"	(2,1)	21,18	1/4"-20	(6,35)	25,2	21,18	6	26	64 / 82730	4500
					5/16"-18	(7,93)	25,2	21,18	6	26	64 / 82731	4500
1 1/4"	(31,75)	0,083"	(2,1)	27,53	3/8"-16	(9,52)	31,5	27,53	6	31	64 / 82732	5000
					1/2"-13	(12,7)	31,5	27,53	6	31	64 / 82733	5000
					5/8"-11	(15,87)	31,5	27,53	6	31	64 / 82734	6500
1 1/2"	(38,1)	0,065"	(1,65)	34,8	3/8"-16	(9,52)	38	34,8	8	38	64 / 82695	5000
					1/2"-13	(12,7)	38	34,8	8	38	64 / 82696	5000
					5/8"-11	(15,87)	38	34,8	8	38	64 / 82697	6500
		0,083"	(2,1)	33,89	3/4"-10	(19,05)	38	34,8	8	38	64 / 82698	9000
					3/8"-16	(9,52)	38	33,89	8	38	64 / 82735	5000
					1/2"-13	(12,7)	38	33,89	8	38	64 / 82736	5000
1 3/4"	(44,45)	0,12"	(3,04)	38,35	5/8"-11	(15,87)	38	33,89	8	38	64 / 82737	6500
					3/4"-10	(19,05)	38	33,89	8	38	64 / 82738	9000
					5/8"-11	(15,87)	44,2	38,35	8	38	64 / 82740	6500
					3/4"-10	(19,05)	44,2	38,35	8	38	64 / 82741	9000
					1"-8	(25,4)	44,2	38,35	8	38	64 / 82739	10000
					3/8"-16	(9,52)	50,6	47,5	10	45	64 / 82703	5000
2"	(50,8)	0,065"	(1,65)	47,5	1/2"-13	(12,7)	50,6	47,5	10	45	64 / 82704	5000
					5/8"-11	(15,87)	50,6	47,5	10	45	64 / 82705	6500
					3/4"-10	(19,05)	50,6	47,5	10	45	64 / 82706	9000
		0,109"	(2,77)	45,26	3/8"-16	(9,52)	50,6	45,26	10	45	64 / 82699	5000
					1/2"-13	(12,7)	50,6	45,26	10	45	64 / 82700	5000
					5/8"-11	(15,87)	50,6	45,26	10	45	64 / 82701	6500
0,156"	(3,96)	42,88	3/4"-10	(19,05)	50,6	45,26	10	45	64 / 82702	9000		
			5/8"-11	(15,87)	50,6	42,88	10	45	64 / 82742	6500		
			3/4"-10	(19,05)	50,6	42,88	10	45	64 / 82743	9000		
2 1/2"	(63,5)	0,156"	(3,96)	55,58	1"-8	(25,4)	50,6	42,88	10	45	64 / 82744	10000
					5/8"-11	(15,87)	63,3	55,58	12	52	64 / 82745	6500
					3/4"-10	(19,05)	63,3	55,58	12	53	64 / 82746	9000
					1"-8	(25,4)	63,3	55,58	12	52	64 / 82747	10000

Material: Bush in reinforced polyamide black colour; threaded insert in brass.

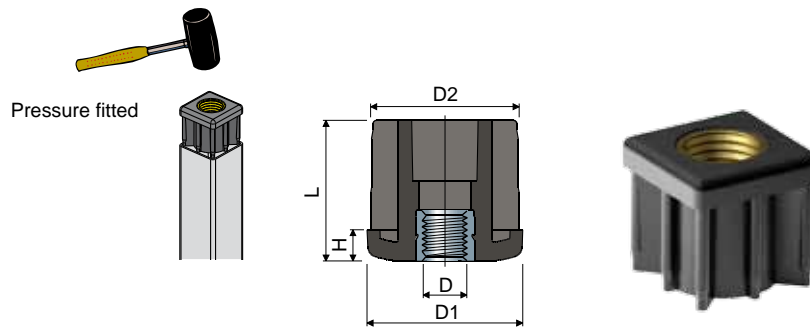
Box quantity: 24 pieces.

On request

- Bushes: With different thicknesses and colours.
- Threaded insert: In nickel plated brass.
- Box quantity: According to your request.

Threaded bushings

(for square tubes)



Part. **68**

Tube dimensions								Code	Max static load (N)
Outside (mm)	Thickness (mm)	Inside (mm)	Thread D	D1 (mm)	D2 (mm)	H (mm)	L (mm)		
20	1,5	17	M8	20	17	5	23	68 / 7758	4500
	2	16	M8	20	16	5	23	68 / 83927	4500
25	1,5	22	M8	25	22	6	26	68 / 7807	4500
			M10	25	22	6	26	68 / 7808	5000
			M12	25	22	6	26	68 / 7809	5500
	2	21	M8	25	21	6	26	68 / 83928	4500
			M10	25	21	6	26	68 / 83929	5000
			M12	25	21	6	26	68 / 85157	5500
30	1,5	27	M8	30	27	6	31	68 / 7936	4500
			M10	30	27	6	31	68 / 7232	5000
			M12	30	27	6	31	68 / 7233	5500
	2	26	M14	30	27	6	31	68 / 7234	6000
			M16	30	27	6	31	68 / 7235	6500
			M8	30	26	6	31	68 / 81031	4500
35	1,5	32	M10	30	26	6	31	68 / 7817	5000
			M12	30	26	6	31	68 / 7818	5500
			M14	30	26	6	31	68 / 80913	6000
			M16	30	26	6	31	68 / 80914	6500
			M8	35	32	8	38	68 / 7937	6500
			M10	35	32	8	38	68 / 7236	7000
	2	31	M12	35	32	8	38	68 / 7237	7500
			M14	35	32	8	38	68 / 7238	8000
			M16	35	32	8	38	68 / 7239	8500
			M20	35	32	8	38	68 / 7240	9000
			M8	35	31	8	38	68 / 80163	6500
			M10	35	31	8	38	68 / 80036	7000
40	1,2	37,6	M12	35	31	8	38	68 / 80164	7500
			M14	35	31	8	38	68 / 80165	8000
			M16	35	31	8	38	68 / 80172	8500
			M20	35	31	8	38	68 / 80173	9000
			M8	40	37,6	8	38	68 / 80714	7000
			M10	40	37,6	8	38	68 / 80715	7500
	1,5	37	M12	40	37,6	8	38	68 / 80716	8000
			M14	40	37,6	8	38	68 / 80717	8500
			M16	40	37,6	8	38	68 / 80546	9000
			M20	40	37,6	8	38	68 / 80718	9500
			M8	40	37	8	38	68 / 7938	7000
			M10	40	37	8	38	68 / 7241	7500
2	36	M12	40	37	8	38	68 / 7242	8000	
		M14	40	37	8	38	68 / 7243	8500	
		M16	40	37	8	38	68 / 7244	9000	
		M20	40	37	8	38	68 / 7245	9500	
		M8	40	36	8	38	68 / 7939	7000	
		M10	40	36	8	38	68 / 7246	7500	
2,5	35	M12	40	36	8	38	68 / 7247	8000	
		M14	40	36	8	38	68 / 7248	8500	
		M16	40	36	8	38	68 / 7249	9000	
		M20	40	36	8	38	68 / 7250	9500	
		M8	40	35	8	38	68 / 80915	7000	
		M10	40	35	8	38	68 / 80916	7500	
2,5	35	M12	40	35	8	38	68 / 80917	8000	
		M14	40	35	8	38	68 / 80918	8500	
		M16	40	35	8	38	68 / 80919	9000	
		M20	40	35	8	38	68 / 80920	9500	

Threaded bushings

(for square tubes)

Part. 68

Tube dimensions								Code	Max static load (N)
Outside (mm)	Thickness (mm)	Inside (mm)	Thread D	D1 (mm)	D2 (mm)	H (mm)	L (mm)		
40	3	34	M8	40	34	8	38	68 / 85158	NEW 7000
			M10	40	34	8	38	68 / 83930	7500
			M12	40	34	8	38	68 / 83931	8000
			M14	40	34	8	38	68 / 85090	NEW 8500
			M16	40	34	8	38	68 / 85091	NEW 9000
			M20	40	34	8	38	68 / 85092	NEW 9500
45	2	41	M8	45	41	8	38	68 / 82118	7000
			M10	45	41	8	38	68 / 82119	7500
			M12	45	41	8	38	68 / 82120	8000
			M14	45	41	8	38	68 / 82121	8500
			M16	45	41	8	38	68 / 82122	9000
			M20	45	41	8	38	68 / 82123	9500
45	3	39	M8	45	39	8	38	68 / 85159	NEW 7000
			M10	45	39	8	38	68 / 85160	NEW 7500
			M12	45	39	8	38	68 / 83932	8000
			M14	45	39	8	38	68 / 85161	NEW 8500
			M16	45	39	8	38	68 / 83933	9000
			M20	45	39	8	38	68 / 85162	NEW 9500
50	1,2	47,6	M8	50	47,6	10	45	68 / 80921	7000
			M10	50	47,6	10	45	68 / 80922	7500
			M12	50	47,6	10	45	68 / 80923	8000
			M14	50	47,6	10	45	68 / 80924	8500
			M16	50	47,6	10	45	68 / 80925	9000
			M20	50	47,6	10	45	68 / 80926	9500
50	1,5	47	M8	50	47	10	45	68 / 7940	7000
			M10	50	47	10	45	68 / 7624	7500
			M12	50	47	10	45	68 / 7251	8000
			M14	50	47	10	45	68 / 7252	8500
			M16	50	47	10	45	68 / 7253	9000
			M20	50	47	10	45	68 / 7254	9500
50	2	46	M8	50	46	10	45	68 / 7941	7000
			M10	50	46	10	45	68 / 7625	7500
			M12	50	46	10	45	68 / 7255	8000
			M14	50	46	10	45	68 / 7256	8500
			M16	50	46	10	45	68 / 7257	9000
			M20	50	46	10	45	68 / 7258	9500
50	2,5	45	M8	50	45	10	45	68 / 7942	7000
			M10	50	45	10	45	68 / 7626	7500
			M12	50	45	10	45	68 / 7259	8000
			M14	50	45	10	45	68 / 7260	8500
			M16	50	45	10	45	68 / 7261	9000
			M20	50	45	10	45	68 / 7262	9500
60	3	44	M8	50	44	10	45	68 / 82080	7000
			M10	50	44	10	45	68 / 80927	7500
			M12	50	44	10	45	68 / 80928	8000
			M14	50	44	10	45	68 / 80929	8500
			M16	50	44	10	45	68 / 80930	9000
			M20	50	44	10	45	68 / 80931	9500
60	2	56	M8	60	56	10	45	68 / 81032	7000
			M10	60	56	10	45	68 / 80932	7500
			M12	60	56	10	45	68 / 80933	8000
			M14	60	56	10	45	68 / 80934	8500
			M16	60	56	10	45	68 / 80935	9000
			M20	60	56	10	45	68 / 80936	9500
60	3	54	M8	60	54	10	45	68 / 82081	7000
			M10	60	54	10	45	68 / 80937	7500
			M12	60	54	10	45	68 / 80938	8000
			M14	60	54	10	45	68 / 80939	8500
			M16	60	54	10	45	68 / 80940	9000
			M20	60	54	10	45	68 / 80941	9500
80	3	74	M14	80	74	10	45	68 / 85163	NEW 8500
			M16	80	74	10	45	68 / 82082	9000
			M20	80	74	10	45	68 / 82013	9500

Material: Bush in reinforced polyamide black colour; threaded insert in brass.

Box quantity: 24 pieces.

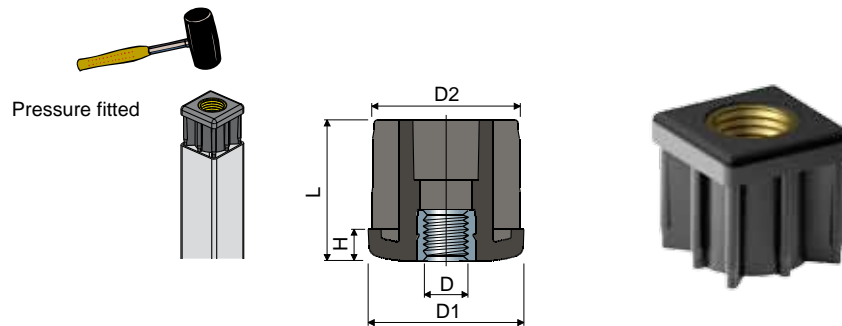
On request

- Bushes: With different thicknesses and colours.
- Threaded insert: In nickel plated brass.
- Box quantity: According to your request.

Threaded bushings

(for square tubes: sizes and threads in Inches)

Part. **68**



Tube dimensions										Code	Max static load (N)			
Outside (inches)	Outside (mm)	Thickness (inches)	Thickness (mm)	Inside (mm)	Thread D (UNC)	Thread D (mm)	D1 (mm)	D2 (mm)	H (mm)			L (mm)		
1" 1/2	(38,1)	0,065"	(1,65)	34,8	3/8"-16	(9,52)	38	34,8	8	38	68 / 82707	5000		
					1/2"-13	(12,7)	38	34,8	8	38	68 / 82708	5000		
					5/8"-11	(15,87)	38	34,8	8	38	68 / 82709	6500		
					3/4"-10	(19,05)	38	34,8	8	38	68 / 82710	9000		
		0,12"	(3,05)	32	3/8"-16	(9,52)	38	32	8	38	68 / 82711	5000		
					1/2"-13	(12,7)	38	32	8	38	68 / 82712	5000		
					5/8"-11	(15,87)	38	32	8	38	68 / 82713	6500		
					3/4"-10	(19,05)	38	32	8	38	68 / 82714	9000		
		2"	(50,8)	0,065"	(1,65)	47,5	3/8"-16	(9,52)	50,6	47,5	10	45	68 / 82715	5000
							1/2"-13	(12,7)	50,6	47,5	10	45	68 / 82716	5000
							5/8"-11	(15,87)	50,6	47,5	10	45	68 / 82717	6500
							3/4"-10	(19,05)	50,6	47,5	10	45	68 / 82718	9000
0,109"	(2,77)			45,26	3/8"-16	(9,52)	50,6	45,26	10	45	68 / 82719	5000		
					1/2"-13	(12,7)	50,6	45,26	10	45	68 / 82720	5000		
					5/8"-11	(15,87)	50,6	45,26	10	45	68 / 82721	6500		
					3/4"-10	(19,05)	50,6	45,26	10	45	68 / 82722	9000		
0,12"	(3,05)			44,7	3/8"-16	(9,52)	50,6	44,7	10	45	68 / 82726	5000		
					1/2"-13	(12,7)	50,6	44,7	10	45	68 / 82727	5000		
					5/8"-11	(15,87)	50,6	44,7	10	45	68 / 82728	6500		
					3/4"-10	(19,05)	50,6	44,7	10	45	68 / 82729	9000		

Material: Bush in reinforced polyamide black colour; threaded insert in brass.

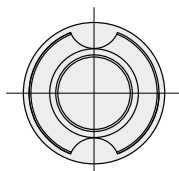
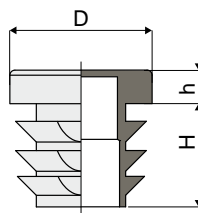
Box quantity: 24 pieces.

On request

- **Bushes:** With different thicknesses and colours.
- **Threaded insert:** In nickel plated brass.
- **Box quantity:** According to your request.

Closing caps

Part. 116 Closing cap, round



Code	Dimensions			Tube thickness	
	D (mm)	h (mm)	H (mm)	Min. (mm)	Max. (mm)
116 / 84153	38,0	5,0	11,5	1,0	3,5
116 / 84154	42,4	5,0	11,5	1,0	2,5
116 / 84155	48,3	5,0	11,5	1,2	3,6
116 / 84156	60,0	5,0	18,5	1,5	3,0

MATERIALS: Cap in black polyethylene.

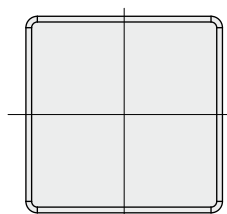
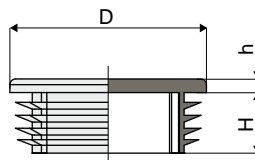
FEATURES: To be assembled to the tubes edges.

BOX QUANTITY: 96 pieces.

ON REQUEST:

- Caps: Rectangular shape.
- Box quantities: According to your request.

Part. 117 Closing cap, square



Code	Dimensions			Tube thickness	
	D (mm)	h (mm)	H (mm)	Min. (mm)	Max. (mm)
117 / 84157	25	5,0	11,5	1,0	3,0
117 / 84158	30	5,0	11,5	1,0	2,5
117 / 84159	35	5,0	14,5	1,0	3,0
117 / 84160	40	5,0	14,5	1,0	3,0
117 / 84161	50	5,0	14,5	1,0	2,5
117 / 84162	60	5,0	24,0	1,5	3,5

MATERIALS: Cap in black polyethylene.

FEATURES: To be assembled to the tubes edges.

BOX QUANTITY: 96 pieces.

ON REQUEST:

- Caps: Rectangular shape.
- Box quantities: According to your request.

Chemical resistance

CHEMICAL AGENT	POLYAMIDE PA		POLYPROPYLE PP		ACETAL POM		STAINLESS STEEL AISI 304		NICKEL PLATED BRASS		NBR RUBBER	
	Conc.%	23° C	Conc.%	23° C	Conc.%	23° C	Conc.%	23° C	Conc.%	23° C	Conc.%	23° C
ACETIC ACID	10	-	40	+	5	-	20	+		/		-
ACETONE	100	+		+		/	50	+		+		-
AMMONIA	10	+	30	+	Sol.	+	50	+		-		/
AMMONIA CONC.		+		+		-						-
ANILINE		/	100	+	3		3	+				-
BEER		+		+		+		+		+		+
BENZENE		+		+		+	70	/				-
BENZOL	100	+		/		+		+		+		-
BORIC ACID	10	+	Sat.	+		+	100	/				+
BUTTER		+		+		+		+		+		+
BUTYRIC ACID		-	100	+		-	5	+				-
CALCIUM CHLORIDE	10	+	50	+		/	10	-		+		+
CARBON SULPHIDE	100	+		+		+		+				-
CARBON TETRACHLORIDE		+		-		+	10	-		+		-
CAUSTIC POTASSIUM	10	+					50	+				/
CAUSTIC SODA	10	+	52	+	25	-		+				/
CHLORINATED WATER		+		-		-		-				-
CHLOROFORM	100	-		/		-	100	+		+		-
CITRIC ACID	10	/	10	+		/	5	+		-		+
CUPRIC SULPHATE	10	+	Sat.	+		+	5	+				+
DISTILLED WATER		+		+		+		+				+
ETHYL ALCOHOL	96	+	96	+		+	10	+		+		/
ETHYL CHLORIDE	100	+		-		+		+		/		-
ETHYL ETHER	100	+		+		+						-
FERRIC CHLORIDE	10	+		+			20	-				+
FOOD FATS		+		+		+		+				+
FOOD OILS		+		+		+		+				+
FORMALDEHYDE	30	+	40	+		+	100	+		+		-
FORMIC ACID	10	-	100	+	10	-	5	/		+		-
FREON 12		+						+				+
FRUIT JUICES		+		+		+		+				+
GLYCERINE		+		+		+		+		+		+
HYDROCHLORIC ACID	10	-	30	+	37	-		-		/	10	/
HYDROCHLORIC ACID	2	-	2	+	2	/					2	/
HYDROFLUORIC ACID	40	-	40	+		-		-			65	-
HYDROGEN PEROXIDE	3	-	30	+		-	30	+		/	80	-
IODINE		-		+		+						/
LACTIC ACID	10	+	20	+		+	5	+		-		+
MAGNESIUM CHLORIDE	10	+	Sat.	+			5	+				+
MERCURY		+	100	+		+	100	/		/		+
METHYL ALCOHOL	100	+		+		+	100	/		+		/
METHYLENE CHLORIDE	100	+		/		-		/				-
MILK		+		+		+		+		+		+
MINERAL OILS		+		+		+		+				+
NITRIC ACID	10	-		+	5	-	10	+			10	-
OLEIC ACID	100	+		+		-	100	/		+		/
PARAFFIN		+	100	/		+		+				+
PETROLEUM		+	100	/		+		+		+		+
PETROLEUM ETHER		+		+		+		+		+		-
PHOSFORIC ACID	10	-	85	+	10	-	10	-		-	20	/
SEA WATER		+		+		/		+		+		+
SILICON OIL		+		+								+
SOAP SOLUTION		+		+								+
SODIUM CARBONATE	10	+	Sat.	+		+	5	+				+
SODIUM CHLORIDE	10	+	Sat.	+		+	5	+		+		+
SODIUM HYDROXIDE	10	+	30	+	10	+		-		+		/
SODIUM HYPOCHLORITE		+	20	+		-		-				-
SODIUM SILICATE		+					100	+				+
SODIUM SULPHATE	10	+	Sat.	+		+	5	+				+
SULPHURIC ACID	10	-	98	+	40	-	10	-		+		-
TARTARIC ACID		+	10	+	30	/	10	+		-		+
TETRALINE		+		-								-
TINCTURE OF IODINE		-		+		+				-		/
TRANSFORMER OIL		+		/								+
TRICHLORETHYLENE		/		/		-		+		+		-
TURPENTINE		/		-		-		+				-
VASELINE		+		+		+						+
VEGETABLE JUICES		+		+		+		+				+
VEGETABLE OILS		+		+		+		+				+
VINEGAR		+		+		+		+		+		/
WATER AND SOAP		+		+		+		+				+
WHISKY		+		+		+		+		+		+
WINE		+		+		+		+		+		+
XILOL		+		-		+		+		/		-
ZINC CHLORIDE	10	/	20	+			10	-				+

Abbreviations: Sat. = Saturated
 + = Good resistance.
 / = Fairly good resistance (limited use depending on working conditions).
 - = Poor resistance (not recommended).
 N.B.: Where tests have not been carried out the spaces are left blank.

The data shown in the table are to be considered as purely indicative, since material behaviour under real working conditions depends on different factors: temperature, concentration of the chemical agent, lasting effect of the chemical agent (quick or long).

Operating temperatures

Material	Description	Operating temperatures (°C)		
		Min	contact with air	
			Max	contact with hot water
Max				
PA	Polyamid	0	+ 80	+ 65
PA FV	Reinforced polyamid	- 5	+ 120	+ 100
PP	Polypropylene	+ 5	+ 105	+ 105
PP FV	Reinforced polypropylene	+ 5	+ 115	+ 115
POM	Acetal	- 40	+ 80	+ 65
AISI 303 - AISI 304	Austenitic stainless steel (18/8)	- 70	+ 430	+ 120
Fe Zn	Zinc plated steel	- 40	+ 180	-
OT	Nickel plated brass	- 40	+ 180	+ 120
HMWPE	Polyethylene with high molecular density	- 200	+ 80	-
UHMWPE	Polyethylene with ultra high molecular density	- 200	+ 80	-

Units of measurement

Length					
		m	cm	mm	in
1 m	=	1	100	1000	39,37008
1 cm	=	0,01	1	10	0,393701
1 mm	=	0,001	0,1	1	0,039370
1 in	=	0,0254	2,54	25,4	1

Mass					
		kg	g	kgf · s ² /m	lb
1 kg	=	1	1000	0,1019716	2,204623
1 g	=	0,001	1	0,000102	0,0022046
1 kgf · s ² /m	=	9,80665	9806,65	1	21,61996
1 lb	=	0,4535924	453,5924	0,0462536	1

Force				
		N	kgf	lbf
1 N	=	1	0,1019716	0,2248089
1 kgf	=	9,80665	1	2,204622
1 lbf	=	4,448222	0,4535924	1

Work				
		J (N · m)	kgf · m	lbf · in
1 J (N · m)	=	1	0,1020	8,851124
1 kgf · m	=	9,807	1	86,799893
1 lbf · in	=	0,113	0,0115	1

Part.	Pag.	Part.	Pag.	Part.	Pag.	Part.	Pag.	Part.	Pag.
1	171	213	17	276	68	344	96	411	47
2	172	214	17	277	58	345	94	412	46
3	171	215	18	278	58	346	42	413	46
4	172	216	20	279	20	347	42	414	75
10	176	217	23	280	19	348	43	415	91
15	177	218	21	281	19	349	43	416	81
18 pa	173	219	22	282	69	350	36	417	78
18	178	220	24	283	75	352	112	418	104
25 pa	174	221	30	285	70	353	102	419	104
25	180	222	30	286	61	354	101	420	102
27 pa	173	223	31	287	62	355	88	421	96
27	179	224	25	288	77	356	88	422	95
38 pa	174	225	25	289	39	357	89	423	94
38	181	226	32	290	44	358	89	424	48
45	182	227	32	291	41	359	57	425	99
64 mm	210	228	32	293	68	360	115	426	100
64 inches	212	229	40	294	35	361	106	427	49
68 mm	213	230	39	296	65	362	106	428	56
68 inches	215	231	40	297	54	363	106	429	110
79	184	232	41	299	114	364	106	430	80
81	189	233	76	300	72	365	107	431	80
82	209	234	76	301	44	366	107	432	83
87	185	235	26	302	64	367	107	433	83
89	186	236	26	303	37	368	107	434	49
92	183	237	51	304	37	369	107	435	55
93	187	238	52	305	37	370	105	700	119
94	192	239	53	306	84	371	105	701	118
95	193	240	51	307	84	372	105	702	118
96	190	241	53	308	85	373	101	703	118
97	194	242	24	310	71	374	113	704	119
98	191	243	18	311	70	375	98	705	120
99	195	244	21	312	54	376	77	706	120
101	199	245	67	313	33	377	103	Corner tracks	121
103	205	246	32	314	33	379	59	Straight tracks	121
104	188	247	33	315	34	380	59	MUCF	128
107	198	248	33	316	110	381	108	MUCF/C	124
108	204	249	67	317	72	382	35	MUCF/CS	130
109	202	250	64	318	91	383	36	MUCF/CX	126
110	208	251	65	319	85	384	108	MUCFL	148
111	201	252	66	320	90	385	108	MUCFL/C	144
112	207	253	66	321	90	386	35	MUCFL/CX	146
113	197	254	69	322	90	387	27	UCF	128
114	203	255	22	323	90	388	97	UCFB	158
115	196	256	31	324	52	389	109	UCFB/C	154
116	216	257	78	325	86	390	109	UCFB/CX	156
117	216	258	79	326	86	391	109	UCF/C	124
118	175	259	79	327	87	392	27	UCF/CA	132
119	206	260	81	328	87	393	97	UCF/CS	130
120	200	261	82	329	90	394	97	UCF/CX	126
200	10	262	82	330	98	395	97	UCF/CXA	134
201	10	263	72	331	111	397	38	UCFL	140
202	11	264	73	332	38	399	67	UCFL/C	136
203	11	265	73	333	55	400	38	UCFL/CA	150
204	45	266	30	334	34	401	16	UCFL/CS	142
205	45	267	57	335	74	402	14	UCFL/CX	138
206	50	268	71	336	74	403	16	UCFL/CXA	152
207	13	269	71	337	34	404	16	UCP	164
208	12	270	60	338	34	405	48	UCP/C	160
209	23	271	60	339	95	406	29	UCP/CX	162
210	15	272	63	340	92	407	29		
210	15	273	61	341	92	408	28		
211	13	274	62	342	93	409	14		
212	12	275	63	343	93	410	47		

Cod.	Pag.	Cod.	Pag.	Cod.	Pag.	Cod.	Pag.	Cod.	Pag.	Cod.	Pag.	Cod.	Pag.
7000	176	7064	178	7128	181	7192	194	7256	214	7273	179	7276	194
7001	176	7065	178	7129	181	7193	194	7257	214	7273	180	7276	195
7002	176	7066	178	7130	181	7194	195	7258	214	7273	181	7276	200
7003	176	7067	178	7131	181	7195	195	7259	214	7273	197	7277	173
7004	176	7068	178	7132	182	7196	195	7260	214	7273	200	7277	173
7005	176	7069	178	7133	182	7197	195	7261	214	7273	203	7277	174
7006	176	7070	180	7134	182	7198	195	7262	214	7273	204	7277	174
7007	176	7071	180	7135	182	7199	195	7263	176	7273	205	7277	178
7008	176	7072	180	7136	182	7200	195	7264	177	7273	206	7277	179
7009	176	7073	180	7137	182	7201	195	7265	173	7273	207	7277	180
7010	176	7074	180	7138	182	7202	195	7265	178	7273	208	7277	181
7011	176	7075	180	7139	182	7203	195	7266	174	7274	176	7277	182
7012	176	7076	180	7140	182	7204	195	7266	180	7274	177	7277	183
7013	176	7077	180	7141	182	7205	195	7267	174	7274	178	7277	185
7014	176	7078	180	7142	182	7206	195	7267	181	7274	179	7277	186
7015	176	7079	180	7143	182	7207	195	7267	185	7274	180	7277	187
7016	176	7080	180	7144	182	7208	195	7268	182	7274	181	7277	190
7017	176	7081	180	7145	182	7209	195	7268	186	7274	182	7277	191
7018	177	7082	180	7146	182	7210	210	7269	171	7274	197	7277	193
7019	177	7083	180	7147	182	7211	210	7269	172	7274	200	7277	194
7020	177	7084	180	7148	182	7212	210	7269	172	7274	203	7277	195
7021	177	7085	180	7149	182	7213	210	7269	175	7274	204	7277	196
7022	177	7086	180	7150	182	7214	210	7269	176	7274	205	7277	197
7023	177	7087	180	7151	182	7215	210	7269	177	7274	206	7277	198
7024	177	7088	180	7152	182	7216	210	7269	178	7274	207	7277	199
7025	177	7089	180	7153	182	7217	210	7269	179	7274	208	7277	200
7026	177	7090	180	7154	185	7218	210	7269	180	7275	173	7277	201
7027	177	7091	180	7155	185	7219	211	7269	184	7275	173	7277	202
7028	177	7092	180	7156	185	7220	211	7269	200	7275	174	7277	203
7029	177	7093	180	7157	185	7221	211	7270	172	7275	174	7277	204
7030	177	7094	180	7158	185	7222	211	7270	172	7275	178	7277	205
7031	177	7095	180	7159	185	7223	211	7270	175	7275	179	7277	206
7032	177	7096	180	7160	185	7224	211	7270	176	7275	180	7277	207
7033	177	7097	180	7161	185	7225	211	7270	177	7275	181	7277	208
7034	177	7098	180	7162	185	7226	211	7270	178	7275	182	7278	173
7035	177	7099	180	7163	185	7227	211	7270	179	7275	183	7278	173
7036	178	7100	180	7164	185	7228	211	7270	180	7275	185	7278	174
7037	178	7101	180	7165	185	7229	211	7270	181	7275	186	7278	174
7038	178	7102	180	7166	186	7230	211	7270	200	7275	187	7278	178
7039	178	7103	180	7167	186	7231	211	7271	176	7275	190	7278	179
7040	178	7104	180	7168	186	7232	213	7271	177	7275	191	7278	180
7041	178	7105	180	7169	186	7233	213	7271	178	7275	192	7278	181
7042	178	7106	180	7170	186	7234	213	7271	179	7275	193	7278	182
7043	178	7107	180	7171	186	7235	213	7271	180	7275	194	7278	183
7044	178	7108	180	7172	186	7236	213	7271	181	7275	195	7278	185
7045	178	7109	180	7173	186	7237	213	7271	182	7275	200	7278	186
7046	178	7110	181	7174	186	7238	213	7271	200	7276	173	7278	187
7047	178	7111	181	7175	186	7239	213	7272	172	7276	173	7278	190
7048	178	7112	181	7176	186	7240	213	7272	172	7276	174	7278	191
7049	178	7113	181	7177	186	7241	213	7272	175	7276	174	7278	193
7050	178	7114	181	7178	186	7242	213	7272	176	7276	178	7278	194
7051	178	7115	181	7179	186	7243	213	7272	177	7276	179	7278	195
7052	178	7116	181	7180	186	7244	213	7272	178	7276	180	7278	196
7053	178	7117	181	7181	186	7245	213	7272	179	7276	181	7278	198
7054	178	7118	181	7182	194	7246	213	7272	180	7276	182	7278	199
7055	178	7119	181	7183	194	7247	213	7272	184	7276	183	7278	200
7056	178	7120	181	7184	194	7248	213	7272	197	7276	185	7278	201
7057	178	7121	181	7185	194	7249	213	7272	200	7276	186	7278	202
7058	178	7122	181	7186	194	7250	213	7273	172	7276	187	7278	203
7059	178	7123	181	7187	194	7251	214	7273	172	7276	189	7278	204
7060	178	7124	181	7188	194	7252	214	7273	175	7276	190	7278	205
7061	178	7125	181	7189	194	7253	214	7273	176	7276	191	7278	206
7062	178	7126	181	7190	194	7254	214	7273	177	7276	192	7278	207
7063	178	7127	181	7191	194	7255	214	7273	178	7276	193	7278	208

Cod.	Pag.	Cod.	Pag.	Cod.	Pag.	Cod.	Pag.	Cod.	Pag.	Cod.	Pag.	Cod.	Pag.
7279	180	7283	184	7289	173	7291	202	7294	198	7426	179	7502	185
7279	181	7283	200	7289	174	7291	203	7294	199	7427	179	7503	185
7279	182	7284	172	7289	174	7291	204	7294	201	7428	179	7504	186
7279	183	7284	172	7289	178	7291	205	7294	202	7429	179	7505	186
7279	185	7284	175	7289	179	7291	206	7294	203	7430	179	7506	186
7279	186	7284	176	7289	180	7291	207	7294	204	7431	179	7507	186
7279	187	7284	177	7289	181	7291	208	7294	205	7432	179	7508	186
7279	189	7284	178	7289	182	7292	173	7294	206	7433	179	7509	186
7279	190	7284	179	7289	183	7292	173	7294	207	7434	179	7510	187
7279	191	7284	180	7289	185	7292	174	7294	208	7435	179	7511	187
7279	192	7284	181	7289	186	7292	174	7295	186	7436	179	7512	187
7279	193	7284	200	7289	187	7292	178	7295	187	7437	179	7513	187
7279	194	7285	176	7289	190	7292	179	7295	190	7438	179	7514	187
7279	195	7285	177	7289	191	7292	180	7295	191	7439	179	7515	187
7280	180	7285	178	7289	192	7292	181	7295	192	7440	179	7516	187
7280	181	7285	179	7289	193	7292	182	7295	195	7441	179	7517	187
7280	182	7285	180	7289	194	7292	183	7296	186	7442	179	7518	187
7280	183	7285	181	7289	195	7292	185	7296	187	7443	179	7519	187
7280	185	7285	182	7289	200	7292	186	7296	190	7444	179	7520	187
7280	186	7285	200	7290	173	7292	187	7296	191	7445	179	7521	187
7280	187	7286	172	7290	173	7292	190	7296	195	7446	179	7522	187
7280	190	7286	172	7290	174	7292	191	7296	196	7447	179	7523	187
7280	191	7286	175	7290	174	7292	193	7296	203	7448	179	7524	187
7280	193	7286	176	7290	178	7292	194	7296	204	7449	179	7525	187
7280	194	7286	177	7290	179	7292	195	7296	205	7450	179	7526	187
7280	195	7286	178	7290	180	7292	196	7296	206	7451	179	7527	187
7280	196	7286	179	7290	181	7292	198	7296	207	7452	179	7528	187
7280	198	7286	180	7290	182	7292	199	7296	208	7453	179	7529	187
7280	199	7286	184	7290	183	7292	200	7390	176	7454	179	7530	187
7280	201	7286	197	7290	185	7292	201	7391	176	7455	179	7531	187
7280	202	7286	200	7290	186	7292	202	7392	176	7456	180	7532	193
7280	203	7287	172	7290	187	7292	203	7393	176	7457	180	7533	193
7280	204	7287	172	7290	189	7292	204	7394	176	7458	180	7534	193
7280	205	7287	175	7290	190	7292	205	7395	176	7459	180	7535	193
7280	206	7287	176	7290	191	7292	206	7396	177	7460	180	7536	193
7280	207	7287	177	7290	192	7292	207	7397	177	7461	180	7537	193
7280	208	7287	178	7290	193	7292	208	7398	177	7462	180	7538	193
7281	186	7287	179	7290	194	7293	180	7399	177	7463	180	7539	193
7281	187	7287	180	7290	195	7293	181	7400	177	7464	180	7540	193
7281	190	7287	181	7290	200	7293	182	7401	177	7465	180	7541	193
7281	191	7287	197	7291	173	7293	183	7402	178	7466	180	7542	193
7281	192	7287	200	7291	173	7293	185	7403	178	7467	180	7543	193
7281	195	7287	203	7291	174	7293	186	7404	178	7472	180	7544	193
7282	186	7287	204	7291	174	7293	187	7405	178	7473	180	7545	193
7282	187	7287	205	7291	178	7293	189	7406	178	7474	181	7546	193
7282	190	7287	206	7291	179	7293	190	7407	178	7475	181	7547	193
7282	191	7287	207	7291	180	7293	191	7408	178	7476	181	7548	193
7282	195	7287	208	7291	181	7293	192	7409	178	7477	181	7549	193
7282	196	7288	176	7291	182	7293	193	7410	178	7478	181	7550	194
7282	203	7288	177	7291	183	7293	194	7411	178	7479	181	7551	194
7282	204	7288	178	7291	185	7293	195	7412	179	7484	181	7552	194
7282	205	7288	179	7291	186	7294	180	7413	179	7485	181	7553	194
7282	206	7288	180	7291	187	7294	181	7414	179	7486	182	7554	194
7282	207	7288	181	7291	190	7294	182	7415	179	7487	182	7555	194
7282	208	7288	182	7291	191	7294	183	7416	179	7488	182	7556	195
7283	171	7288	197	7291	193	7294	185	7417	179	7489	182	7557	195
7283	172	7288	200	7291	194	7294	186	7418	179	7490	182	7558	195
7283	172	7288	203	7291	195	7294	187	7419	179	7491	182	7559	195
7283	175	7288	204	7291	196	7294	190	7420	179	7496	182	7560	195
7283	176	7288	205	7291	197	7294	191	7421	179	7497	182	7561	195
7283	177	7288	206	7291	198	7294	193	7422	179	7498	185	7562	190
7283	178	7288	207	7291	199	7294	194	7423	179	7499	185	7563	190
7283	179	7288	208	7291	200	7294	195	7424	179	7500	185	7564	190
7283	180	7289	173	7291	201	7294	196	7425	179	7501	185	7565	190

Cod.	Pag.	Cod.	Pag.	Cod.	Pag.	Cod.	Pag.	Cod.	Pag.	Cod.	Pag.	Cod.	Pag.
7566	190	7634	175	7790	183	7936	213	80053	159	80076	129	80078	131
7567	190	7634	176	7791	183	7937	213	80053	159	80076	129	80078	131
7568	190	7634	177	7792	183	7938	213	80053	159	80076	129	80078	139
7569	190	7634	178	7793	183	7939	213	80053	163	80076	131	80078	139
7570	190	7634	179	7794	183	7940	214	80053	163	80076	131	80078	141
7571	190	7634	180	7795	183	7941	214	80053	163	80076	139	80078	141
7572	190	7634	200	7796	183	7942	214	80053	165	80076	139	80078	143
7573	190	7635	172	7797	183	80005	125	80053	165	80076	139	80078	143
7574	190	7635	172	7798	183	80009	125	80053	165	80076	141	80078	147
7575	190	7635	175	7799	183	80010	129	80054	129	80076	141	80078	147
7576	190	7635	176	7800	183	80011	127	80055	129	80076	141	80078	149
7577	190	7635	177	7801	183	80011	127	80057	125	80076	143	80078	149
7578	190	7635	178	7802	210	80011	127	80058	125	80076	143	80078	157
7579	190	7635	179	7803	210	80011	129	80060	125	80076	147	80078	157
7580	190	7635	180	7804	210	80011	129	80061	125	80076	147	80078	159
7581	190	7635	197	7805	210	80011	129	80063	141	80076	147	80078	159
7582	190	7635	200	7806	210	80011	131	80064	141	80076	149	80078	159
7583	190	7636	171	7807	213	80011	131	80065	141	80076	149	80078	159
7584	191	7636	172	7808	213	80011	139	80067	137	80076	149	80078	163
7585	191	7636	172	7809	213	80011	139	80068	137	80076	157	80078	163
7586	191	7636	175	7817	213	80011	139	80069	137	80076	157	80078	165
7587	191	7636	176	7818	213	80011	141	80071	137	80076	157	80078	165
7588	191	7636	177	7851	186	80011	141	80072	137	80076	159	80155	174
7589	191	7636	178	7852	186	80011	141	80073	137	80076	159	80156	172
7590	191	7636	179	7882	210	80011	143	80075	127	80076	159	80157	172
7591	191	7636	180	7883	210	80011	143	80075	127	80076	159	80158	172
7592	191	7636	200	7886	177	80011	157	80075	127	80076	159	80159	172
7593	191	7637	172	7887	177	80011	157	80075	129	80076	159	80160	173
7594	191	7637	172	7888	178	80011	157	80075	129	80076	163	80161	173
7595	191	7637	175	7889	178	80011	159	80075	129	80076	163	80162	174
7596	191	7637	176	7890	179	80011	159	80075	131	80076	163	80163	213
7597	191	7637	177	7891	179	80011	159	80075	131	80076	165	80164	213
7598	191	7637	178	7892	180	80011	159	80075	139	80076	165	80165	213
7599	191	7637	179	7893	180	80011	159	80075	139	80076	165	80172	213
7600	191	7637	180	7894	176	80011	159	80075	139	80077	127	80173	213
7601	191	7637	197	7895	176	80011	163	80075	141	80077	127	80175	127
7602	191	7637	200	7896	177	80011	163	80075	141	80077	129	80176	127
7603	191	7690	176	7897	177	80011	163	80075	141	80077	129	80177	127
7604	191	7691	176	7898	178	80011	165	80075	143	80077	131	80178	131
7605	191	7702	172	7899	178	80011	165	80075	143	80077	131	80179	131
7614	211	7703	172	7900	179	80011	165	80075	147	80077	139	80180	131
7615	211	7706	172	7901	179	80036	213	80075	147	80077	139	80181	139
7616	211	7707	172	7902	180	80053	127	80075	147	80077	141	80182	139
7617	211	7712	172	7903	180	80053	127	80075	149	80077	141	80183	139
7618	211	7713	172	7904	185	80053	127	80075	149	80077	143	80184	143
7619	211	7716	172	7905	185	80053	129	80075	149	80077	143	80185	143
7620	211	7717	172	7906	186	80053	129	80075	157	80077	147	80186	143
7621	211	7722	172	7907	186	80053	129	80075	157	80077	147	80209	209
7622	211	7723	172	7908	187	80053	131	80075	157	80077	149	80210	209
7623	211	7726	172	7909	187	80053	131	80075	159	80077	149	80211	209
7624	214	7727	172	7910	193	80053	139	80075	159	80077	157	80212	209
7625	214	7732	172	7911	193	80053	139	80075	159	80077	157	80214	189
7626	214	7733	172	7912	194	80053	139	80075	159	80077	159	80248	125
7627	173	7736	172	7913	194	80053	141	80075	159	80077	159	80249	125
7628	173	7737	172	7914	195	80053	141	80075	159	80077	159	80250	125
7629	174	7758	213	7915	195	80053	141	80075	163	80077	159	80251	125
7630	174	7782	183	7916	190	80053	143	80075	163	80077	163	80252	127
7632	173	7783	183	7917	190	80053	143	80075	163	80077	163	80253	127
7632	179	7784	183	7918	191	80053	157	80075	165	80077	165	80254	127
7633	183	7785	183	7919	191	80053	157	80075	165	80077	165	80254	127
7633	187	7786	183	7930	211	80053	157	80075	165	80078	127	80254	129
7634	171	7787	183	7932	211	80053	159	80076	127	80078	127	80254	129
7634	172	7788	183	7934	211	80053	159	80076	127	80078	129	80254	131
7634	172	7789	183	7935	211	80053	159	80076	127	80078	129	80254	131

Cod.	Pag.	Cod.	Pag.	Cod.	Pag.	Cod.	Pag.	Cod.	Pag.	Cod.	Pag.	Cod.	Pag.
80254	139	80256	131	80378	125	80612	10	80677	25	80787	40	80886	210
80254	139	80256	131	80400	125	80613	10	80678	32	80788	40	80887	210
80254	141	80256	131	80409	133	80614	10	80679	32	80789	127	80888	210
80254	141	80256	131	80410	133	80615	10	80680	32	80790	13	80889	210
80254	143	80256	131	80411	133	80616	10	80681	40	80791	13	80890	211
80254	143	80256	131	80412	133	80617	10	80682	40	80792	13	80891	211
80254	147	80256	135	80413	135	80618	10	80683	40	80793	13	80892	211
80254	147	80256	135	80414	135	80619	10	80684	39	80794	13	80893	211
80254	149	80256	135	80445	125	80620	10	80685	39	80795	13	80894	211
80254	149	80256	147	80446	125	80621	10	80686	39	80796	13	80895	211
80254	157	80256	147	80447	125	80622	11	80687	40	80797	13	80896	211
80254	157	80256	149	80448	125	80623	11	80688	41	80798	45	80897	211
80254	159	80256	149	80449	125	80624	11	80693	209	80799	45	80898	211
80254	159	80256	153	80450	125	80625	11	80694	209	80800	45	80899	211
80254	159	80256	153	80451	125	80626	11	80695	129	80801	45	80900	211
80254	159	80256	153	80453	133	80627	11	80697	125	80802	45	80901	211
80254	163	80256	157	80454	133	80628	11	80699	125	80803	45	80902	211
80254	163	80256	157	80464	133	80629	11	80701	127	80804	45	80903	211
80254	165	80256	159	80479	135	80630	11	80702	183	80805	45	80904	211
80254	165	80256	159	80485	133	80631	11	80703	183	80806	45	80905	211
80255	127	80256	159	80486	133	80632	11	80704	183	80807	45	80906	211
80255	127	80256	159	80494	127	80633	11	80705	183	80808	45	80907	211
80255	129	80257	127	80494	127	80634	11	80706	183	80809	45	80908	211
80255	129	80257	127	80494	127	80635	11	80707	183	80810	45	80909	211
80255	131	80257	127	80494	129	80636	11	80708	183	80811	45	80913	213
80255	131	80257	127	80494	129	80637	11	80709	183	80812	45	80914	213
80255	139	80257	129	80494	129	80638	15	80710	183	80813	45	80915	213
80255	139	80257	129	80494	131	80639	15	80711	183	80814	45	80916	213
80255	141	80257	129	80494	135	80640	15	80712	129	80815	45	80917	213
80255	141	80257	129	80494	135	80641	15	80713	131	80816	45	80918	213
80255	143	80257	131	80494	135	80642	15	80714	213	80817	45	80919	213
80255	143	80257	131	80494	153	80643	15	80715	213	80818	50	80920	213
80255	147	80257	131	80494	153	80644	15	80716	213	80819	50	80921	214
80255	147	80257	131	80494	153	80645	15	80717	213	80820	50	80922	214
80255	149	80257	131	80495	127	80646	15	80718	213	80821	50	80923	214
80255	149	80257	135	80495	127	80647	15	80749	40	80822	50	80924	214
80255	157	80257	135	80495	129	80648	13	80753	10	80857	210	80925	214
80255	157	80257	147	80495	129	80649	13	80754	23	80858	210	80926	214
80255	159	80257	147	80495	135	80650	12	80755	17	80859	210	80927	214
80255	159	80257	149	80495	135	80651	12	80756	17	80860	210	80928	214
80255	159	80257	149	80495	153	80652	17	80757	17	80861	210	80929	214
80255	159	80257	153	80495	153	80653	17	80758	20	80862	210	80930	214
80255	163	80257	153	80499	135	80654	17	80759	20	80863	210	80931	214
80255	163	80257	157	80500	135	80655	17	80760	23	80864	210	80932	214
80255	165	80257	157	80501	135	80656	17	80761	23	80865	210	80933	214
80255	165	80257	159	80514	129	80657	17	80762	23	80866	210	80934	214
80256	127	80257	159	80515	129	80658	18	80764	12	80867	210	80935	214
80256	127	80257	159	80519	141	80659	18	80765	12	80868	210	80936	214
80256	127	80257	159	80520	141	80660	18	80766	12	80869	210	80937	214
80256	127	80258	129	80521	141	80662	21	80767	12	80870	210	80938	214
80256	127	80259	129	80522	141	80663	21	80768	12	80871	210	80939	214
80256	127	80260	131	80523	143	80664	22	80769	12	80873	210	80940	214
80256	127	80261	131	80540	147	80665	22	80770	12	80874	210	80941	214
80256	127	80262	137	80542	149	80666	22	80771	12	80875	210	80953	211
80256	127	80263	137	80546	213	80667	24	80772	76	80876	210	80958	51
80256	129	80264	139	80561	127	80668	30	80773	76	80877	210	80959	51
80256	129	80265	141	80588	10	80669	30	80774	76	80878	210	80960	51
80256	129	80266	143	80589	10	80670	30	80775	76	80879	210	80961	51
80256	129	80271	10	80590	10	80671	30	80776	76	80880	210	80962	51
80256	129	80322	131	80591	10	80672	30	80777	76	80881	210	80963	51
80256	129	80325	209	80592	10	80673	30	80778	26	80882	210	80970	76
80256	129	80326	209	80593	10	80674	31	80779	26	80883	210	80976	129
80256	129	80327	209	80609	40	80675	31	80780	26	80884	210	80978	45
80256	129	80377	125	80611	39	80676	25	80786	189	80885	210	80979	45

Cod.	Pag.	Cod.	Pag.	Cod.	Pag.	Cod.	Pag.	Cod.	Pag.	Cod.	Pag.	Cod.	Pag.
80980	45	81060	133	82064	68	82148	195	82251	69	82587	68	82729	215
80981	45	81061	133	82065	68	82149	195	82252	69	82588	35	82730	212
80982	45	81062	137	82066	68	82150	19	82253	69	82590	209	82731	212
80985	52	81063	137	82067	68	82151	19	82254	69	82591	209	82732	212
80986	52	81064	137	82068	58	82152	19	82256	72	82611	65	82733	212
80987	52	81065	137	82069	58	82154	69	82258	66	82612	65	82734	212
80988	53	81066	137	82070	10	82155	69	82259	66	82613	65	82735	212
80989	53	81067	137	82071	10	82156	69	82260	66	82614	65	82736	212
80990	53	81068	137	82072	12	82157	69	82261	66	82615	65	82737	212
80991	53	81069	137	82073	12	82173	209	82262	66	82616	65	82738	212
80992	53	81135	32	82074	184	82174	209	82263	66	82617	65	82739	212
80993	53	81137	33	82075	184	82175	209	82264	69	82618	65	82740	212
80994	53	81139	33	82076	184	82176	209	82392	125	82619	65	82741	212
80995	53	81147	32	82077	184	82177	209	82404	127	82620	65	82742	212
80996	51	81148	32	82078	184	82178	209	82408	145	82621	65	82743	212
80997	51	81176	17	82079	184	82179	209	82409	145	82622	65	82744	212
80998	51	82000	82	82080	214	82180	209	82478	157	82624	66	82745	212
80999	51	82001	82	82081	214	82181	209	82505	75	82625	66	82746	212
81000	51	82002	81	82082	214	82182	209	82516	209	82626	66	82747	212
81001	51	82003	79	82083	210	82183	209	82526	70	82627	66	82751	44
81002	24	82004	79	82084	210	82184	209	82528	70	82628	66	82764	147
81003	18	82005	78	82085	211	82201	64	82529	70	82629	66	82764	147
81004	18	82010	50	82086	211	82202	64	82530	70	82630	69	82764	147
81005	18	82013	214	82102	17	82203	64	82532	61	82632	13	82764	149
81006	21	82017	67	82104	17	82204	64	82533	61	82633	13	82764	149
81007	21	82018	67	82105	17	82205	65	82534	61	82640	26	82764	149
81008	22	82019	67	82106	18	82206	65	82535	61	82652	129	82765	147
81009	22	82020	67	82107	17	82207	65	82536	62	82658	54	82765	147
81010	22	82021	67	82108	18	82208	65	82537	62	82664	75	82765	147
81011	31	82022	67	82109	17	82215	73	82538	62	82680	114	82765	149
81012	26	82023	67	82110	18	82217	73	82539	62	82681	114	82765	149
81013	26	82024	67	82111	24	82218	73	82549	125	82682	72	82765	149
81015	210	82032	72	82112	21	82219	64	82555	77	82683	26	82766	145
81016	210	82033	73	82113	21	82220	64	82556	77	82695	212	82767	145
81017	210	82034	73	82114	22	82221	64	82557	77	82696	212	82770	155
81018	211	82035	30	82115	22	82222	64	82558	77	82697	212	82771	155
81019	211	82036	30	82116	22	82223	65	82559	77	82698	212	82772	157
81020	211	82037	30	82118	214	82224	65	82560	77	82699	212	82773	159
81021	211	82038	57	82119	214	82225	65	82561	77	82700	212	82774	155
81022	211	82039	57	82120	214	82226	65	82562	77	82701	212	82775	155
81023	211	82040	71	82121	214	82227	66	82563	77	82702	212	82776	157
81024	211	82041	71	82122	214	82228	66	82564	77	82703	212	82777	159
81025	211	82042	60	82123	214	82229	66	82565	77	82704	212	82789	68
81026	211	82043	60	82124	20	82230	66	82566	77	82705	212	82797	64
81027	211	82044	60	82125	20	82231	66	82567	77	82706	212	82805	35
81028	211	82045	60	82126	20	82232	66	82568	77	82707	215	82806	37
81029	211	82046	63	82127	19	82233	66	82569	39	82708	215	82807	37
81030	211	82047	63	82128	19	82234	66	82570	39	82709	215	82808	37
81031	213	82048	61	82129	19	82235	66	82571	39	82710	215	82809	84
81032	214	82049	61	82130	19	82236	66	82572	39	82711	215	82810	84
81043	127	82050	61	82131	19	82237	66	82573	44	82712	215	82811	85
81045	129	82051	61	82132	19	82238	66	82574	44	82713	215	82812	57
81047	127	82052	62	82134	185	82239	66	82575	44	82714	215	82813	57
81049	127	82053	62	82135	185	82240	66	82576	44	82715	215	82827	71
81050	127	82054	62	82136	187	82241	66	82577	44	82716	215	82828	71
81051	127	82055	62	82137	187	82242	66	82578	41	82717	215	82829	71
81052	129	82056	63	82138	190	82243	66	82579	75	82718	215	82830	71
81053	139	82057	63	82139	190	82244	66	82580	68	82719	215	82831	71
81054	139	82058	63	82140	191	82245	66	82581	68	82720	215	82833	68
81055	139	82059	63	82141	191	82246	66	82582	68	82721	215	82841	70
81056	139	82060	68	82144	193	82247	66	82583	68	82722	215	82842	70
81057	125	82061	68	82145	193	82248	66	82584	68	82726	215	82843	70
81058	125	82062	68	82146	194	82249	66	82585	68	82727	215	82844	70
81059	133	82063	68	82147	194	82250	66	82586	68	82728	215	82845	54

Cod.	Pag.	Cod.	Pag.	Cod.	Pag.	Cod.	Pag.	Cod.	Pag.	Cod.	Pag.	Cod.	Pag.
82846	54	83036	147	83128	74	83228	187	83293	181	83473	88	83581	208
82847	54	83037	149	83138	74	83229	187	83294	182	83474	88	83582	208
82848	33	83038	149	83145	199	83230	187	83295	182	83475	89	83583	208
82849	33	83039	157	83155	199	83231	187	83296	182	83476	89	83584	208
82850	34	83040	155	83156	178	83232	190	83297	182	83503	57	83585	208
82853	68	83041	157	83157	178	83233	190	83298	183	83504	57	83586	208
82855	68	83042	159	83158	179	83234	190	83299	183	83520	131	83587	208
82857	145	83043	205	83159	179	83235	190	83300	183	83524	198	83588	208
82858	145	83044	159	83160	180	83236	190	83301	183	83525	198	83589	208
82859	145	83045	147	83161	180	83237	190	83302	34	83526	198	83590	208
82860	145	83046	147	83162	182	83238	191	83303	34	83527	198	83591	208
82861	155	83047	147	83163	182	83239	191	83304	44	83528	198	83592	198
82862	155	83048	149	83164	183	83240	191	83305	44	83529	198	83593	198
82865	155	83049	149	83165	183	83241	191	83306	44	83530	198	83594	202
82866	155	83050	149	83166	181	83242	191	83307	66	83531	198	83595	202
82867	145	83052	205	83167	181	83243	191	83309	66	83532	198	83606	115
82868	145	83053	205	83168	181	83244	193	83313	66	83533	198	83607	115
82869	145	83054	205	83169	181	83245	193	83314	66	83534	198	83608	115
82870	145	83055	205	83170	181	83246	193	83319	95	83535	198	83626	101
82871	110	83056	205	83171	181	83247	193	83357	92	83536	198	83640	31
82872	110	83057	205	83172	181	83248	193	83359	92	83537	198	83642	67
82873	64	83058	205	83173	181	83249	193	83361	93	83538	198	83652	121
82880	171	83059	205	83174	181	83250	194	83363	93	83539	198	83653	121
82882	189	83060	205	83175	181	83251	194	83372	96	83540	204	83682	161
82886	171	83061	205	83176	181	83252	194	83378	114	83541	204	83683	161
82911	72	83062	205	83177	181	83253	194	83380	94	83542	204	83684	161
82912	72	83063	205	83178	181	83254	194	83390	42	83543	204	83685	161
82913	91	83064	205	83179	181	83255	194	83391	42	83544	204	83686	161
82916	85	83065	205	83180	181	83256	195	83392	42	83545	204	83687	161
82917	90	83066	205	83181	181	83257	195	83393	42	83546	204	83688	163
82918	90	83067	205	83182	181	83258	195	83394	42	83547	204	83689	163
82919	90	83068	205	83183	181	83259	195	83395	43	83548	204	83690	163
82920	90	83073	199	83184	182	83260	195	83396	43	83549	204	83691	165
82949	26	83074	199	83185	182	83261	195	83398	36	83550	204	83692	165
82968	192	83075	199	83186	182	83262	192	83399	36	83551	204	83693	165
82970	192	83076	199	83187	182	83263	199	83410	188	83552	204	83696	161
82971	52	83077	199	83188	182	83264	192	83411	112	83553	204	83697	161
82972	192	83078	199	83189	182	83266	176	83412	112	83554	204	83698	161
82974	192	83079	199	83200	10	83267	176	83413	112	83555	204	83699	161
82976	192	83081	199	83201	10	83268	177	83414	112	83556	204	83700	161
82978	192	83082	199	83202	10	83269	177	83415	112	83557	204	83701	161
82980	192	83083	199	83203	10	83270	178	83416	112	83558	202	83702	163
82982	192	83084	199	83204	11	83271	178	83417	112	83559	202	83703	163
82984	192	83085	199	83205	11	83272	178	83418	112	83560	202	83704	163
82986	192	83086	199	83206	11	83273	178	83419	112	83561	202	83705	165
82988	192	83087	199	83207	11	83274	178	83420	112	83562	202	83706	165
82990	192	83089	98	83208	12	83275	178	83421	112	83563	202	83707	165
82992	192	83090	111	83209	199	83276	179	83422	112	83564	202	83717	106
82994	192	83091	111	83210	13	83277	179	83423	112	83565	202	83718	106
82998	11	83092	111	83211	13	83278	179	83424	112	83566	202	83719	106
82999	11	83093	111	83214	185	83279	179	83425	112	83567	202	83720	106
83003	86	83094	111	83215	185	83280	179	83441	102	83568	202	83721	107
83004	86	83095	111	83216	185	83281	179	83442	101	83569	202	83722	107
83005	87	83096	111	83217	185	83282	180	83445	121	83570	202	83723	107
83006	87	83097	111	83218	185	83283	180	83446	121	83571	202	83724	107
83007	90	83098	111	83219	185	83284	180	83449	121	83572	202	83725	107
83021	98	83099	111	83220	186	83285	180	83450	121	83573	202	83726	105
83023	157	83100	111	83221	186	83286	180	83451	121	83574	208	83727	105
83025	159	83101	111	83222	186	83287	180	83452	121	83575	208	83728	105
83027	155	83110	12	83223	186	83288	181	83462	127	83576	208	83732	101
83029	159	83113	38	83224	186	83289	181	83465	205	83577	208	83733	101
83031	155	83115	55	83225	186	83290	181	83466	125	83578	208	83734	101
83033	155	83116	34	83226	187	83291	181	83467	125	83579	208	83735	101
83035	147	83117	55	83227	187	83292	181	83468	129	83580	208	83744	207

Cod.	Pag.	Cod.	Pag.	Cod.	Pag.	Cod.	Pag.	Cod.	Pag.	Cod.	Pag.	Cod.	Pag.
83745	207	83813	203	83992	147	84079	161	84246	73	84479	111	84547	91
83746	207	83814	203	83993	147	84080	163	84247	73	84480	111	84548	84
83747	207	83815	203	83994	147	84081	163	84251	73	84481	111	84549	84
83748	207	83816	203	83995	149	84082	165	84253	73	84482	111	84550	85
83749	207	83817	203	83996	149	84083	165	84260	38	84483	111	84551	85
83750	207	83818	203	83997	149	84085	108	84270	175	84485	47	84552	86
83751	207	83819	203	83999	151	84086	108	84271	175	84486	47	84553	86
83752	207	83822	197	84000	151	84091	115	84272	175	84487	46	84555	87
83753	207	83823	197	84001	151	84109	44	84273	175	84488	46	84556	87
83754	207	83824	197	84002	151	84113	119	84274	175	84490	125	84557	88
83755	207	83825	197	84003	151	84119	35	84275	175	84491	125	84558	88
83756	207	83826	197	84005	151	84120	36	84276	175	84492	125	84559	89
83757	207	83827	197	84006	151	84121	108	84277	175	84493	127	84560	89
83758	207	83828	131	84007	153	84122	108	84278	175	84494	127	84563	74
83759	207	83829	131	84008	153	84123	108	84279	175	84495	127	84575	81
83760	207	83831	196	84009	153	84124	35	84280	175	84496	129	84576	78
83761	207	83860	113	84010	151	84128	27	84281	175	84497	129	84577	108
83762	201	83871	44	84011	153	84130	27	84282	175	84498	129	84578	108
83763	201	83879	101	84012	153	84131	97	84283	175	84499	133	84580	125
83764	201	83881	102	84013	153	84132	15	84284	175	84500	125	84581	125
83765	201	83882	101	84014	145	84133	15	84285	175	84501	125	84582	125
83766	201	83890	98	84015	145	84134	204	84286	175	84502	125	84583	125
83767	201	83895	77	84016	145	84135	207	84287	175	84503	133	84584	125
83768	201	83907	143	84017	145	84136	208	84288	175	84505	135	84585	125
83769	201	83911	210	84018	145	84146	131	84289	175	84506	137	84586	125
83770	201	83912	211	84019	147	84147	131	84303	101	84507	137	84587	125
83771	201	83914	211	84020	149	84148	143	84304	67	84508	137	84588	125
83772	201	83915	211	84021	151	84150	143	84305	67	84509	137	84589	125
83773	201	83916	210	84022	151	84153	216	84306	67	84510	139	84590	125
83774	201	83917	210	84023	151	84154	216	84307	67	84511	139	84591	125
83775	201	83918	210	84024	151	84155	216	84308	67	84513	141	84592	125
83776	201	83919	210	84025	55	84156	216	84309	209	84514	141	84593	125
83777	201	83920	210	84038	125	84157	216	84311	209	84515	145	84594	125
83778	201	83921	210	84039	125	84158	216	84316	38	84516	145	84595	125
83779	201	83922	210	84040	125	84159	216	84318	189	84517	147	84596	125
83784	197	83923	210	84041	125	84160	216	84323	16	84518	147	84597	125
83785	197	83924	210	84042	127	84161	216	84324	14	84519	149	84598	125
83786	197	83925	210	84043	129	84162	216	84325	16	84520	149	84599	125
83787	197	83926	210	84044	129	84165	109	84326	16	84521	151	84600	125
83788	197	83927	213	84045	131	84166	109	84327	48	84522	153	84601	125
83789	197	83928	213	84046	131	84167	109	84328	29	84523	155	84602	125
83790	197	83929	213	84048	155	84168	109	84329	29	84524	155	84603	125
83791	197	83930	214	84049	155	84169	109	84330	29	84525	155	84604	125
83792	197	83931	214	84050	155	84180	67	84331	29	84526	155	84605	125
83793	197	83932	214	84051	155	84182	97	84332	29	84527	157	84606	125
83794	197	83933	214	84052	155	84183	97	84333	29	84528	157	84607	125
83795	197	83934	210	84053	155	84185	97	84334	28	84529	159	84608	125
83796	197	83958	196	84054	155	84190	204	84335	28	84530	159	84609	125
83797	197	83960	196	84055	155	84191	205	84336	28	84531	161	84610	125
83798	197	83961	196	84056	157	84193	207	84337	28	84532	161	84611	125
83799	197	83962	196	84057	157	84195	208	84338	28	84533	161	84612	127
83800	197	83963	196	84058	157	84196	102	84339	28	84534	161	84613	127
83801	197	83964	196	84059	157	84197	102	84440	14	84535	163	84614	127
83802	203	83965	196	84060	159	84198	101	84442	48	84536	163	84615	127
83803	203	83966	196	84061	159	84199	101	84443	48	84537	165	84616	127
83804	203	83967	196	84062	159	84203	118	84444	112	84538	165	84617	127
83805	203	83968	196	84063	159	84205	118	84445	112	84539	145	84618	127
83806	203	83969	196	84069	59	84206	118	84446	112	84540	145	84619	127
83807	203	83970	196	84070	59	84207	119	84473	32	84541	151	84620	127
83808	203	83971	196	84071	59	84208	120	84474	108	84542	31	84621	127
83809	203	83973	103	84072	59	84209	120	84475	108	84543	31	84622	127
83810	203	83989	145	84076	161	84226	31	84476	108	84544	31	84623	127
83811	203	83990	145	84077	161	84244	73	84477	108	84545	75	84624	127
83812	203	83991	145	84078	161	84245	73	84478	108	84546	75	84625	127

Cod.	Pag.	Cod.	Pag.	Cod.	Pag.	Cod.	Pag.	Cod.	Pag.	Cod.	Pag.	Cod.	Pag.
84626	127	84690	145	84756	159	84839	200	84947	108	85090	214	85159	214
84627	127	84691	145	84757	159	84840	200	84948	108	85091	214	85160	214
84628	129	84692	145	84758	161	84841	200	84949	108	85092	214	85161	214
84629	129	84693	145	84759	161	84842	200	84950	108	85093	49	85162	214
84630	129	84694	145	84760	161	84843	200	84951	108	85094	49	85163	214
84631	129	84695	145	84761	161	84844	200	84952	108	85095	49	85164	203
84632	129	84696	147	84762	161	84845	200	84953	108	85096	75	85165	203
84633	129	84697	147	84763	161	84846	200	84954	108	85097	49	85166	55
84634	129	84698	147	84764	161	84847	200	84955	108	85098	49	85167	55
84635	129	84699	147	84765	161	84848	200	84956	108	85099	49	85168	55
84636	129	84700	147	84766	161	84849	200	84957	108	85100	49	85169	55
84637	129	84701	147	84767	161	84850	200	84961	48	85101	48	85170	175
84638	129	84702	147	84768	161	84851	200	84979	145	85108	10	85171	179
84639	129	84703	147	84769	161	84852	200	84980	145	85109	10	85172	179
84640	129	84704	147	84770	161	84853	200	84981	145	85110	12	85173	179
84641	129	84705	147	84771	161	84854	200	84982	145	85111	12	85174	179
84642	129	84706	149	84772	161	84855	200	84983	147	85112	13	85180	125
84643	129	84707	149	84773	161	84856	200	84984	147	85113	13	85181	125
84644	137	84708	149	84774	163	84857	200	84985	149	85114	15	85182	127
84645	137	84709	149	84775	163	84862	200	84986	149	85115	15	85183	129
84646	137	84710	149	84776	163	84863	200	84994	100	85116	175	85184	115
84647	137	84711	149	84777	163	84864	200	84995	100	85117	176	85185	115
84648	137	84712	149	84778	163	84865	75	84996	100	85118	177	85186	63
84649	137	84713	149	84779	163	84868	75	84997	100	85119	178		
84650	137	84714	149	84780	163	84870	32	84998	99	85120	178		
84651	137	84715	149	84781	163	84875	125	84999	99	85121	178		
84652	137	84718	155	84782	165	84876	125	85000	99	85122	178		
84653	137	84719	155	84783	165	84877	125	85001	99	85123	180		
84654	137	84720	155	84784	165	84878	125	85002	79	85124	180		
84655	137	84721	155	84785	165	84883	127	85003	79	85125	180		
84656	137	84722	155	84786	165	84884	127	85004	78	85126	180		
84657	137	84723	155	84787	165	84887	129	85005	82	85127	181		
84658	137	84724	155	84788	165	84888	129	85006	82	85128	181		
84659	137	84725	155	84789	165	84891	137	85007	81	85129	181		
84660	139	84726	155	84800	104	84892	137	85009	49	85130	181		
84661	139	84727	155	84801	104	84893	137	85031	78	85131	182		
84662	139	84728	155	84802	104	84894	137	85032	81	85132	182		
84663	139	84729	155	84803	104	84899	139	85063	56	85133	182		
84664	139	84730	155	84804	104	84900	139	85064	56	85134	183		
84665	139	84731	155	84805	104	84903	141	85065	110	85135	183		
84666	139	84732	155	84806	104	84904	141	85066	110	85136	183		
84667	139	84733	155	84807	104	84907	155	85067	77	85137	185		
84668	141	84734	155	84808	102	84908	155	85068	72	85138	186		
84669	141	84735	155	84809	102	84909	155	85069	72	85139	187		
84670	141	84736	155	84810	102	84910	155	85070	72	85140	175		
84671	141	84737	155	84811	102	84915	157	85071	72	85141	209		
84672	141	84738	157	84814	72	84916	157	85072	72	85142	210		
84673	141	84739	157	84816	96	84919	159	85073	72	85143	210		
84674	141	84740	157	84817	95	84920	159	85074	73	85144	210		
84675	141	84741	157	84818	94	84923	161	85075	73	85145	210		
84676	145	84742	157	84819	206	84924	161	85076	73	85146	210		
84677	145	84743	157	84820	206	84925	161	85077	73	85147	210		
84678	145	84744	157	84821	206	84926	161	85078	73	85148	210		
84679	145	84745	157	84822	206	84931	163	85079	73	85149	210		
84680	145	84746	157	84823	206	84932	163	85080	80	85150	211		
84681	145	84747	157	84824	206	84936	165	85081	80	85151	211		
84682	145	84748	159	84825	206	84937	165	85082	83	85152	211		
84683	145	84749	159	84826	206	84940	108	85083	83	85153	211		
84684	145	84750	159	84827	206	84941	108	85084	80	85153	211		
84685	145	84751	159	84828	206	84942	108	85085	80	85154	211		
84686	145	84752	159	84829	206	84943	108	85086	83	85155	211		
84687	145	84753	159	84830	206	84944	108	85087	83	85156	211		
84688	145	84754	159	84837	200	84945	108	85088	206	85157	213		
84689	145	84755	159	84838	200	84946	108	85089	206	85158	214		

The reproduction, even partial, of the present catalogue is strictly forbidden by force of law

Tecom reserves the right to make all the necessary changes required by the evolutionary development, both in the designs and dimensions of the illustrated products

For further information, please contact our Technical Commercial Department

